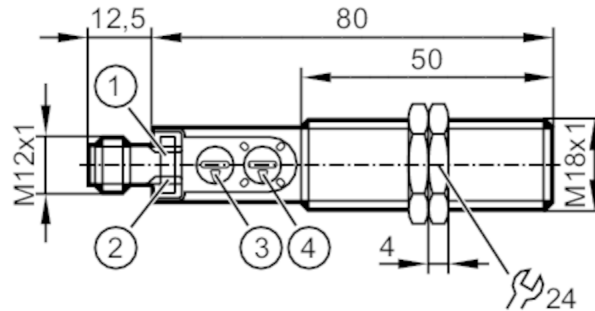


KG6000



Capacitive sensor

KG-3150NFPKG/PL/2P/US/IO



- 1 LED yellow switching status
- 2 LED green signal
- 3 potentiometer Sensing range
- 4 potentiometer Switching function



Product characteristics

Electrical design	PNP
Output function	normally open / normally closed; (selectable)
Sensing range [mm]	0.5...30
Communication interface	IO-Link
Housing	threaded type
Dimensions [mm]	M18 x 1 / L = 92.5

Application

Special feature	Optical setting aid
Medium temperature [°C]	-25...110

Electrical data

Operating voltage [V]	10...30 DC
Current consumption [mA]	< 22
Protection class	III
Reverse polarity protection	yes

Outputs

Electrical design	PNP
Output function	normally open / normally closed; (selectable)
Max. voltage drop switching output DC [V]	2.5
Permanent current rating of switching output DC [mA]	200
Switching frequency DC [Hz]	30
Short-circuit proof	yes
Overload protection	yes

KG6000



Capacitive sensor

KG-3150NFPKG/PL/2P/US/IO

Detection zone		
Sensing range	[mm]	0.5...30
Sensing range adjustable		yes
Factory setting sensing range	[mm]	15
Real sensing range Sr	[mm]	15 ± 10 %
Accuracy / deviations		
Hysteresis	[% of Sr]	1...15
Switch point drift	[% of Sr]	-10...10
Interfaces		
Communication interface		IO-Link
Transmission type		COM2 (38,4 kBaud)
IO-Link revision		1.1
SDCI standard		IEC 61131-9
Profiles		Smart Sensor: Process Data Variable; Device Identification
SIO mode		yes
Required master port type		A
Min. process cycle time	[ms]	20
IO-Link functions (acyclical)		application specific tag; operating hours counter; normally open / normally closed (configurable); PNP / NPN (parametrierbar); Switch point setting; Hysteresis
Operating conditions		
Ambient temperature	[°C]	-25...80
Protection		IP 65; IP 67; IP 69K
Tests / approvals		
EMC	EN 61000-4-2	8 kV AD / 4 kV CD
	EN 61000-4-3	10 V/m
	EN 61000-4-4	2 kV
	EN 61000-4-6	10 V
	EN 55011	class B
Vibration resistance	DIN EN 60947-5-2	1 mm amplitude, oscillation period 5 min., 30 min. per axis at resonance or 55 Hz
Shock resistance	DIN EN 60947-5-2	30 g 6 shocks / 11 ms half-sine (x, y, z)
MTTF	[years]	1059
UL approval	UL Approval no.	D003
Mechanical data		
Weight	[g]	26.7
Housing		threaded type
Mounting		non-flush mountable
Dimensions	[mm]	M18 x 1 / L = 92.5
Thread designation		M18 x 1
Materials		PBT; PC; POM
Displays / operating elements		
Display	switching status	1 x LED, yellow
	operation	1 x LED, green
	setting aid	1 x LED, green
Optical setting aid		yes

KG6000



Capacitive sensor

KG-3150NFPKG/PL/2P/US/IO

Accessories	
Accessories (supplied)	lock nuts: 2
Remarks	
Pack quantity	1 pcs.
Electrical connection - plug	
Connector: 1 x M12	



Connection	
4:	OUT / IO-Link