



**Part no.: 50136333**  
**ISS 244PP.1/22-40N-S12**  
**Inductive switch**



Figure can vary

## Contents

- Technical data
- Dimensioned drawings
- Electrical connection
- Diagrams
- Operation and display
- Part number code
- Notes
- Accessories

## Technical data

<b>Basic data</b>	
Series	244
Typ. operating range limit $S_n$	40 mm
Operating range $S_a$	0 ... 32.4 mm
<b>Special design</b>	
Special design	Antivalent
<b>Characteristic parameters</b>	
MTTF	1,899 years
<b>Electrical data</b>	
Protective circuit	Inductive protection Polarity reversal protection Short circuit protected
<b>Performance data</b>	
Supply voltage $U_B$	10 ... 30 V , DC
Residual ripple	0 ... 20 % , From $U_B$
Open-circuit current	0 ... 30 mA
Temperature drift, max. (in % of $S_r$ )	10 % , Over the entire operating temperature range
Repeatability, max. (in % of $S_r$ )	10 % , For $U_B = 20 \dots 30$ V DC, ambient temperature $T_a = 23 \text{ °C} \pm 5 \text{ °C}$
Switching hysteresis	15 %
<b>Outputs</b>	
Number of digital switching outputs	2 Piece(s)
<b>Switching outputs</b>	
Voltage type	DC
Switching current, max.	200 mA
Residual current, max.	0.01 mA
Voltage drop	$\leq 2$ V
<b>Switching output 1</b>	
Switching element	Transistor , NPN
Switching principle	NO contact – Antivalent
<b>Switching output 2</b>	
Switching element	Transistor , NPN
Switching principle	NC contact – Antivalent
<b>Timing</b>	
Switching frequency	100 Hz
Readiness delay	100 ms
<b>Connection</b>	
Number of connections	1 Piece(s)

**Connection 1**

Type of connection	Connector
Function	Signal OUT Voltage supply
Thread size	M12
Type	Male
Material	Metal
No. of pins	4 -pin
Encoding	A-coded

**Mechanical data**

Design	Cubic
Dimension (W x H x L)	40 mm x 40 mm x 67 mm
Type of installation	Non-embedded
Housing material	Plastic , PA 66
Sensing face material	Plastic , Polyamide (PA 66)
Net weight	130 g
Housing color	Black Red, RAL 3000
Type of fastening	Through-hole mounting
Standard measuring plate	120 x 120 mm <sup>2</sup> , Fe360

**Operation and display**

Type of display	LED
Number of LEDs	4 Piece(s)

**Environmental data**

Ambient temperature, operation	-25 ... 85 °C
Ambient temperature, storage	-25 ... 85 °C

**Certifications**

Degree of protection	IP 68 IP 69K
Protection class	II
Certifications	c UL US
Test procedure for EMC in accordance with standard	IEC 61000-4-2 IEC 61000-4-3 IEC 61000-4-4
Standards applied	IEC 60947-5-2

**Correction factors**

Aluminum	0.2
Stainless steel	0.85
Copper	0.1
Brass	0.25
Fe360 steel	1

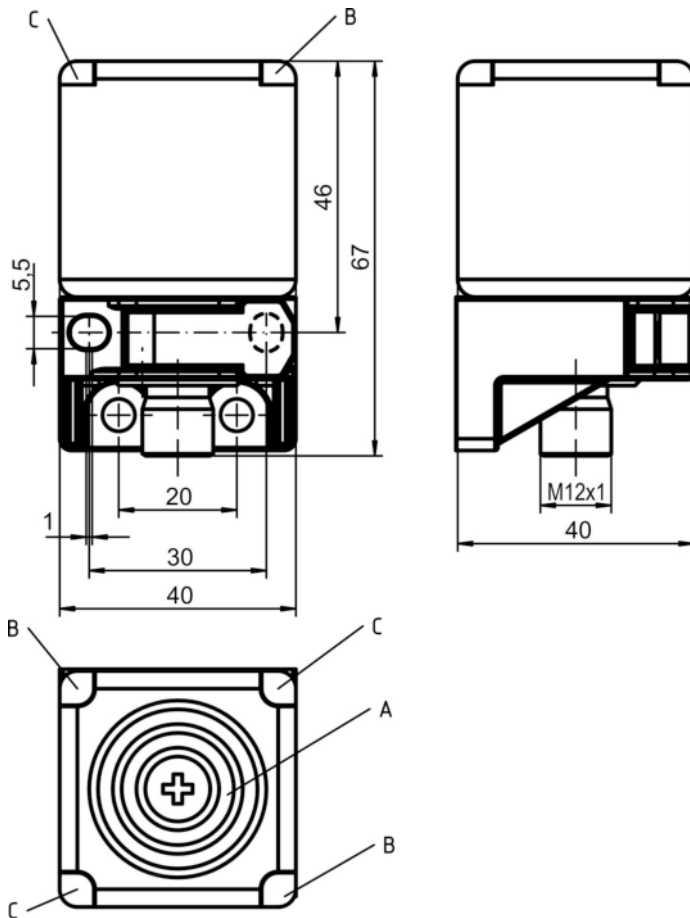
**Classification**

Customs tariff number	85365019
eCl@ss 8.0	27270101
eCl@ss 9.0	27270101

ETIM 5.0	EC002714
ETIM 6.0	EC002714

## Dimensioned drawings

All dimensions in millimeters

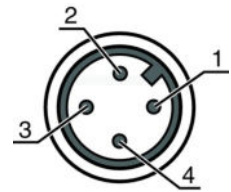


A Active surface  
 B Yellow LED  
 C Green LED

## Electrical connection

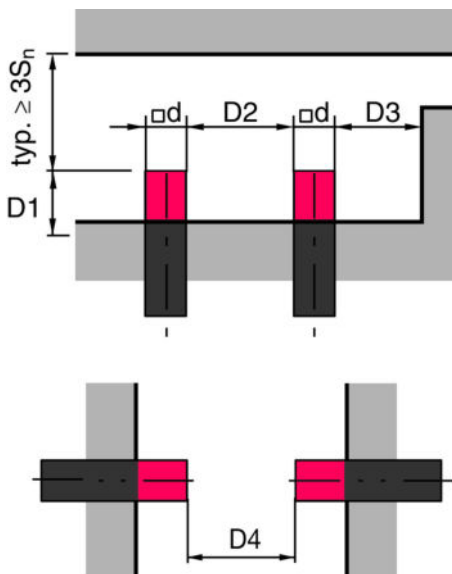
Connection 1	
Type of connection	Connector
Function	Signal OUT Voltage supply
Thread size	M12
Type	Male
Material	Metal
No. of pins	4 -pin
Encoding	A-coded

Pin	Pin assignment
1	V+
2	OUT 2
3	GND
4	OUT 1



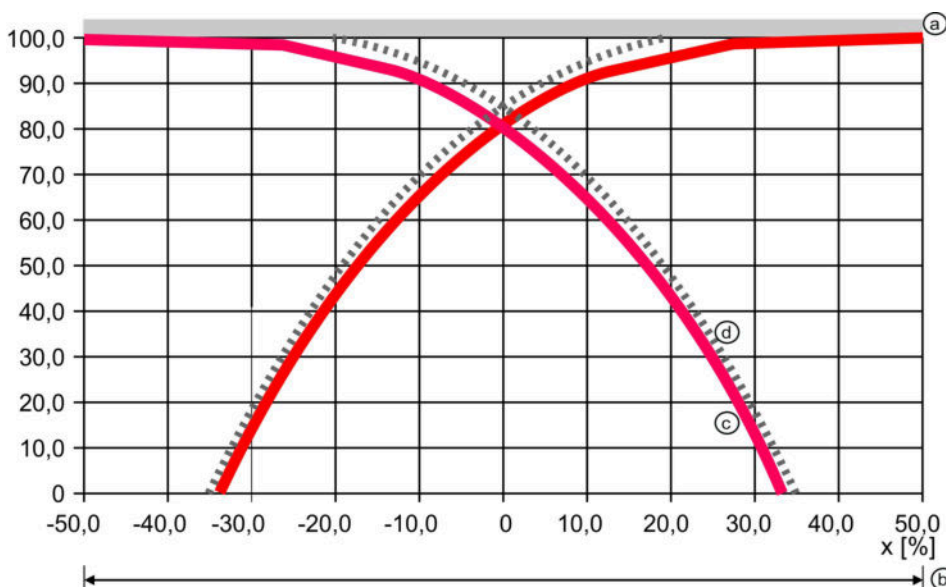
## Diagrams

### Non-embedded installation



$S_n$ [mm]	40
$D_1$ [mm]	40
$D_2$ [mm]	160
$D_3$ [mm]	42
$D_4$ [mm]	300

### Typical approach curve



- a Standard measuring plate
- b Diameter of the active surface
- c Switching point
- d Hysteresis

## Operation and display

### LEDs

LED	Display	Meaning
1	Yellow, continuous light	Switching output/switching state
2	Green, continuous light	Operational readiness
3	Yellow, continuous light	Switching output/switching state
4	Green, continuous light	Operational readiness

## Part number code

Part designation: ISX YYY ZZ/AAA.BB-CCC-DDD-DDD

ISX	<b>Operating principle / construction:</b> IS: inductive switch, standard design ISS: inductive switch, short construction
YYY	<b>Series:</b> 203: series with Ø 3 mm 204: series with Ø 4 mm 205: series with M5 x 0.5 external thread 206: series with Ø 6.5 mm 208: series with M8 x 1 external thread 212: series with M12 x 1 external thread 218: series with M18 x 1 external thread 230: series with M30 x 1.5 external thread 240: series in cubic design 244: series in cubic design 255: series with 5 x 5 mm <sup>2</sup> cross section 288: series with 8 x 8 mm <sup>2</sup> cross section
ZZ	<b>Housing / thread:</b> MM: metal housing (active surface: plastic) / metric thread FM: full-metal housing (active surface: stainless steel AISI 316L) / metric thread MP: metal housing (active surface: plastic) / smooth (without thread)
AAA	<b>Output current / supply:</b> 4NO: PNP transistor, NO contact 4NC: PNP transistor, NC contact 2NO: NPN transistor, NO contact 2NC: NPN transistor, NC contact 1NO: relay, NO contact / AC/DC 1NC: relay, NC contact / AC/DC 44: 2 PNP transistor switching outputs, antivalent (NO + NC) 22: 2 NPN transistor switching outputs, antivalent (NO + NC)
BB	<b>Special equipment:</b> n/a: no special equipment 5F: food version 5: housing material V2A (1.4305, AISI 303)

CCC	<p><b>Measurement range / type of installation:</b>            1E0: typ. range limit 1.0 mm / embedded installation            1E5: typ. range limit 1.5 mm / embedded installation            2E0: typ. range limit 2.0 mm / embedded installation            3E0: typ. range limit 3.0 mm / embedded installation            4E0: typ. range limit 4.0 mm / embedded installation            5E0: typ. range limit 5.0 mm / embedded installation            6E0: typ. range limit 6.0 mm / embedded installation            8E0: typ. range limit 8.0 mm / embedded installation            10E: typ. range limit 10.0 mm / embedded installation            12E: typ. range limit 12.0 mm / embedded installation            15E: typ. range limit 15.0 mm / embedded installation            20E: typ. range limit 20.0 mm / embedded installation            22E: typ. range limit 22.0 mm / embedded installation            2N5: typ. range limit 2.5 mm / non-embedded installation            4N0: typ. range limit 4.0 mm / non-embedded installation            8N0: typ. range limit 8.0 mm / non-embedded installation            10N: typ. range limit 10.0 mm / non-embedded installation            12N: typ. range limit 12.0 mm / non-embedded installation            14N: typ. range limit 14.0 mm / non-embedded installation            15N: typ. range limit 15.0 mm / non-embedded installation            20N: typ. range limit 20.0 mm / non-embedded installation            22N: typ. range limit 22.0 mm / non-embedded installation            25N: typ. range limit 25.0 mm / non-embedded installation            40N: typ. range limit 40.0 mm / non-embedded installation</p>
DDD	<p><b>Electrical connection:</b>            n/a: cable, standard length 2000 mm            S12: M12 connector, 4-pin, axial            200-S12: cable, length 200 mm with M12 connector, 4-pin, axial            200-S8.3: cable, length 200 mm with M8 connector, 3-pin, axial            S8.3: M8 connector, 3-pin, axial            005-S8.3: cable, length 500 mm with M8 connector, 3-pin, axial            050: cable, standard length 5000 mm, 3-wire</p>

<p><b>Note</b></p>
<p>A list with all available device types can be found on the Leuze electronic website at <a href="http://www.leuze.com">www.leuze.com</a>.</p>


## Notes

<p><b>Observe intended use!</b></p>
<ul style="list-style-type: none"> <li>• This product is not a safety sensor and is not intended as personnel protection.</li> <li>• The product may only be put into operation by competent persons.</li> <li>• Only use the product in accordance with its intended use.</li> </ul>


<p><b>For UL applications:</b></p>
<ul style="list-style-type: none"> <li>• For UL applications, use is only permitted in Class 2 circuits in accordance with the NEC (National Electric Code).</li> </ul>

## Accessories

### Connection technology - Connection cables

	Part no.	Designation	Article	Description
	50130654	KD U-M12-4A-P1-020	Connection cable	Connection 1: Connector, M12, Axial, Female, A-coded, 4 -pin Connection 2: Open end Shielded: No Cable length: 2,000 mm Sheathing material: PUR

Part no.: 50136333 – ISS 244PP.1/22-40N-S12 – Inductive switch

	Part no.	Designation	Article	Description
	50130657	KD U-M12-4A-P1-050	Connection cable	Connection 1: Connector, M12, Axial, Female, A-coded, 4 -pin Connection 2: Open end Shielded: No Cable length: 5,000 mm Sheathing material: PUR

**Note**

A list with all available accessories can be found on the Leuze electronic website in the Download tab of the article detailed page.