



Part no.: 560341
BT-SET-240CC
Mounting bracket set

Figure can vary

Contents

- Technical data
- Dimensioned drawings

Part no.: 560341 – BT-SET-240CC – Mounting bracket set

Technical data

Basic data

Suitable for	MLD-M002, MLD-M003 deflecting mirror
--------------	--------------------------------------

Mechanical data

Type of fastening, at system	Through-hole mounting
Type of fastening, at device	Clampable
Type of mounting device	Turning, 240°
Mounting device material	Metal

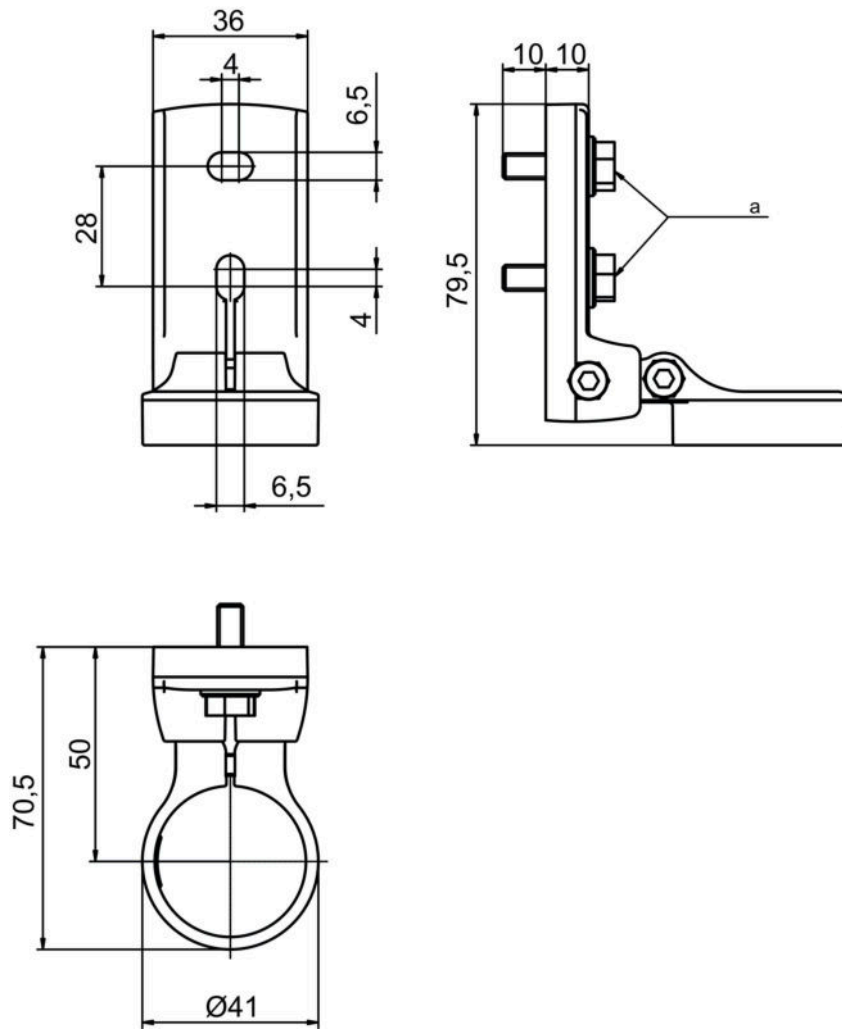
Classification

Customs tariff number	73269098
eCl@ss 8.0	27279202
eCl@ss 9.0	27273701
ETIM 5.0	EC003015
ETIM 6.0	EC003015

Dimensioned drawings

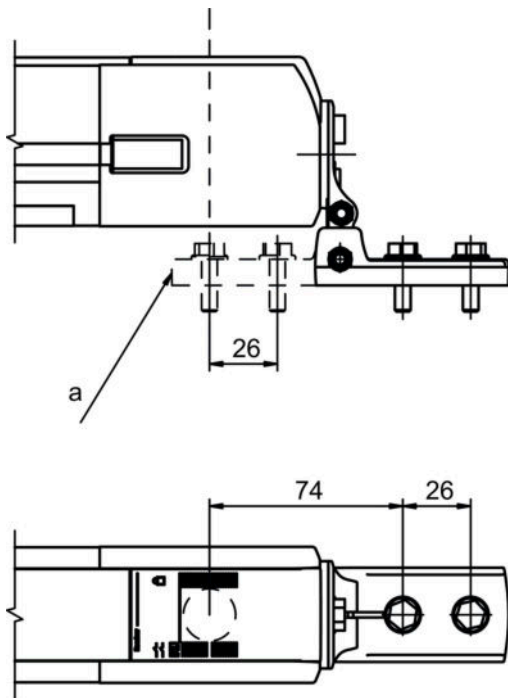
All dimensions in millimeters

BT-SET-240C swivel mount



a M6 screw

Mounting dimensions



a Alternative mounting variant

Mounting variants

