



SEPARATE ACTUATOR, UNIVERSAL RADIUS ACTUATOR 'HEAVY DUTY' VERSION VERTICAL AND HORIZONTAL ADJUSTABLE L=77MM FOR POSIT. SWITCH WITH TUMBLER 3SE5312../3SE5322.. AND ASI 3SF13... AND POSIT. SWITCH WITH SEPARATE ACTUATOR 3SE51../3SE52.. AND ASI 3SF11../3SF12..

Product designation	actuator
---------------------	----------

General technical data:

Shock resistance	30g / 11 ms
Vibration resistance	0.35 mm / 5g
Mechanical service life (switching cycles)	1 000 000
<ul style="list-style-type: none"> • typical 	
Equipment marking	T
<ul style="list-style-type: none"> • acc. to DIN EN 61346-2 • acc. to DIN EN 81346-2 	T
Active principle	mechanical

Drive Head:

Design of the operating mechanism	universal actuator
--	--------------------

Ambient conditions:

Ambient temperature	°C	-25 ... +85
<ul style="list-style-type: none"> • during operation 		
<ul style="list-style-type: none"> • during storage 	°C	-40 ... +90

Installation/ mounting/ dimensions:

mounting position	any
Mounting type	screw fixing

Certificates/ approvals:

General Product Approval	Functional Safety/Safety of Machinery	Declaration of Conformity	Test Certificates
--------------------------	---------------------------------------	---------------------------	-------------------



[Type Examination Certificate](#)



[Special Test Certificate](#)

other

[Confirmation](#)

Further information

Information- and Downloadcenter (Catalogs, Brochures,...)

<http://www.siemens.com/industrial-controls/catalogs>

Industry Mall (Online ordering system)

<http://www.siemens.com/industrymall>

Cax online generator

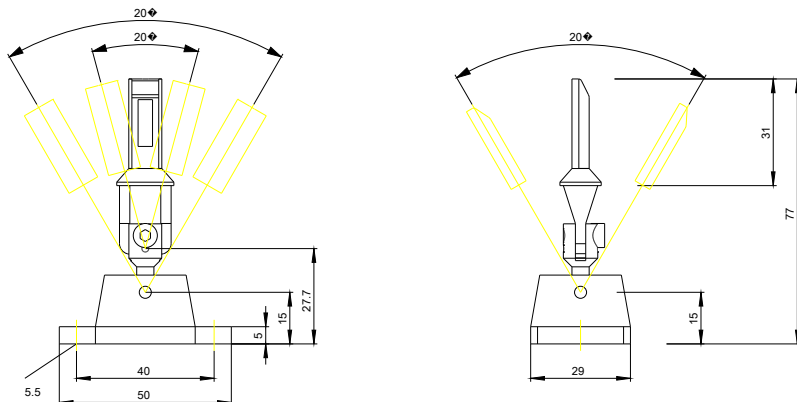
<http://support.automation.siemens.com/WW/CAXorder/default.aspx?lang=en&mfb=3SE50000AV07>

Service&Support (Manuals, Certificates, Characteristics, FAQs,...)

<http://support.automation.siemens.com/WW/view/en/3SE50000AV07/all>

Image database (product images, 2D dimension drawings, 3D models, device circuit diagrams, EPLAN macros, ...)

http://www.automation.siemens.com/bilddb/cax_de.aspx?mfb=3SE50000AV07&lang=en



last modified:

16.03.2015