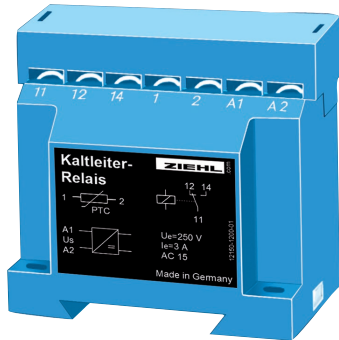


# PTC-Resistor-Relay Type MS220C

## Single PTC-Circuit

### MS220C



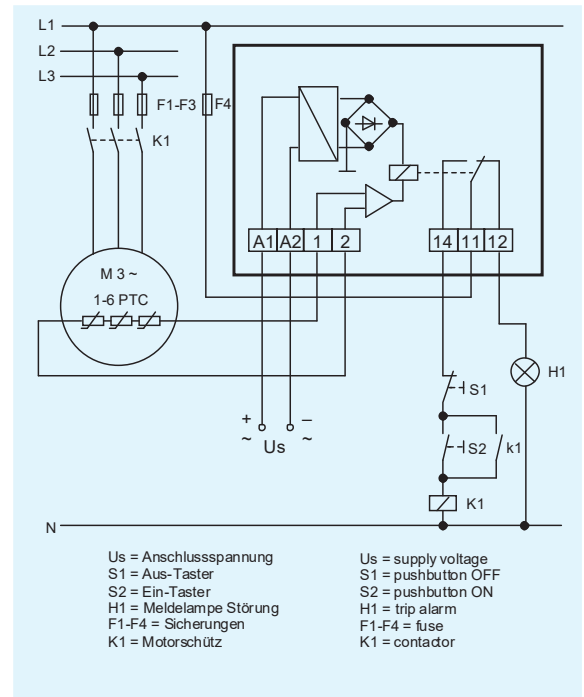
This compact device is the smallest version of all our PTC-resistor relays:

- terminals outside
- protection terminals IP 20
- Relays 1 change-over contact (co)
- GL-approval for version AC 220 - 240 V

Order-numbers:

without GL-approval:  
AC/DC 24 V **T221830**  
AC/DC 24 - 240 V **T221821**

with GL-approval:  
AC 220 - 240 V **T221804**



### Technical Data

Rated supply voltage  $U_s$

AC 220-240 V  $\pm 10\%$ , 50/60 Hz, 2 VA  
 AC/DC 24 V, AC  $+10/-15\%$ , DC  $+25/-20\%$ ,  
 $< 1\text{ W}$ ,  $< 2\text{ VA}$ , without potential separation  
 AC/DC 24-240 V, AC 20-264 V, DC 20-297 V,  
 $< 1\text{ W}$ ,  $< 4\text{ VA}$

connectable PTC resistors  
switching point

1... 6 PTC according to DIN 44 081 or 44 082  
 $< 4000\ \Omega$

output relay  
type of contact

1 change-over contact (co)  
 type 2 see "general technical information"

test conditions  
rated ambient temperature  
range

see "general technical information"  
 $-20\dots+55\text{ }^\circ\text{C}$

dimensions (h x w x d) attach-  
ment

design C: 72 x 33 x 60 [ mm ]  
 on 35 mm of DIN rail according to EN 60 715  
 or with screws M4

protection housing / terminals  
weight

IP 30 / IP 20  
 approx. 120 g