

# Special Articulated Holders Top



**DG1044**  
Overall arm length 282 mm



**DG1030 / DG1033**  
Overall arm length 261 mm



**MG1030 / MG1033**  
Overall arm length 317 mm

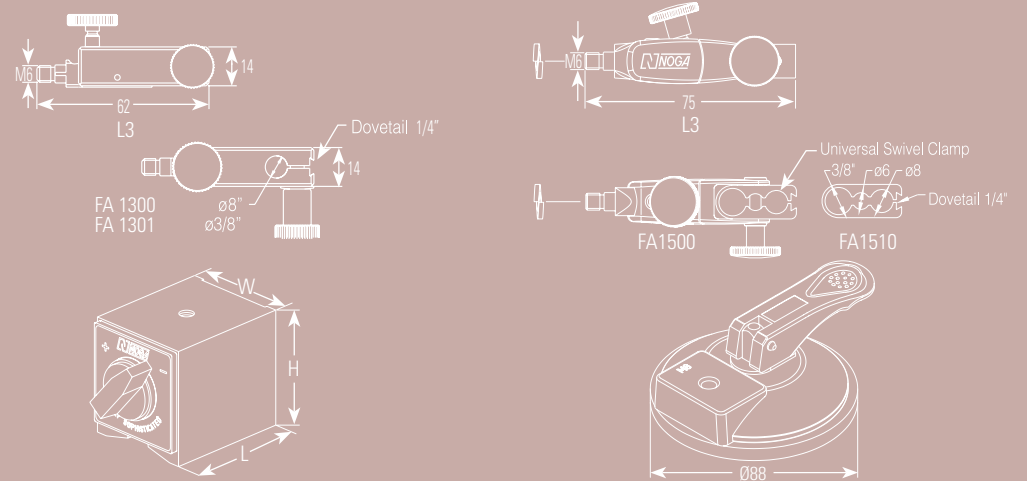
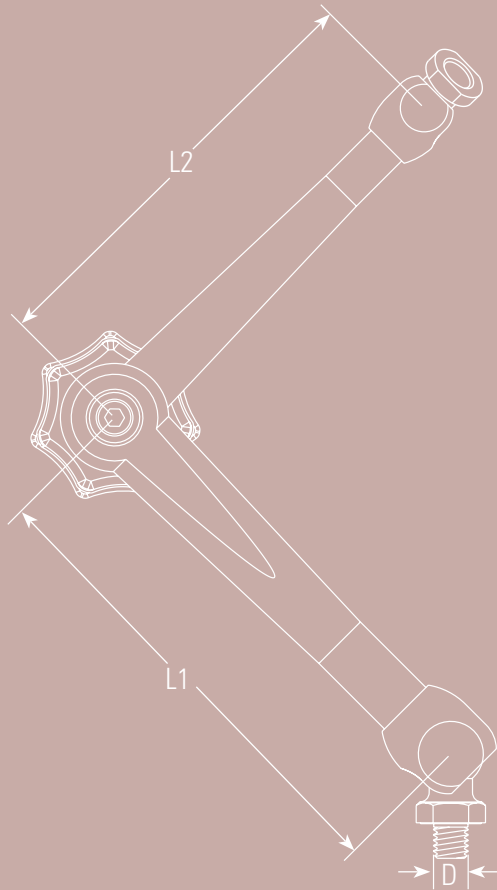
# Special Articulated Holders

## DG/MG Holders

Unique DG & MG arms with plastic fine adjustment. Ideal for EDM.

### DG1044

Special DG arm with vacuum base. Ideal for granite table.



Holder			Arm length			Magnet			Standard Clamp		
Order no.	Bottom thread	Weight	Bottom arm	Top arm	Total	Force	Dimension			Order no.	D
	D	[Kg]	L1	L2	L1 + L2 + L3	[N]	W	L	H		
DG1030	Ext. M8	1.350	110	101	261	800	50	60	55	FA1300	8mm
DG1010	Ext. M8	0.350	110	101	261	-	-	-	-	FA1300	8mm
DG1033	Ext. M8	1.350	110	101	261	800	50	60	55	FA1301	3/8"
DG1013	Ext. M8	0.350	110	101	261	-	-	-	-	FA1301	3/8"
DG1044	Ext. M8	0.740	110	101	282	350	-	ø88	-	FA1500	6mm, 8mm, 3/8"
MG1030	Ext. M8	1.850	133	113	317	800	50	60	55	FA1300	8mm
MG1010	Ext. M8	0.850	133	113	317	-	-	-	-	FA1300	8mm
MG1033	Ext. M8	1.850	133	113	317	800	50	60	55	FA1301	3/8"
MG1013	Ext. M8	0.850	133	113	317	-	-	-	-	FA1301	3/8"

All measurements are in mm unless otherwise mentioned