

- > Port size: G1/4, G1/2
- > Straight-through flow, high Cv-factor
- > Standard manual override
- > Compact design
- > Easily interchangeable solenoid system
- > Maintenance-free, easy to service
- > The valves and solenoids (see solenoid table) are ATEX approved



Technical features

Medium:

Compressed air filtered, lubricated or non-lubricated

Operation:

Solenoid, indirectly controlled

Operating pressure:

1 ... 10 bar (14 ... 145 psi)

Nominal size:

6 and 12 mm

Port size:

G1/4, G1/2

Flow direction:

Fixed

Mounting position:

Optional, preferably vertical

Ambient/Media temperature:

-10° ... +50°C (+14° ... +122°F)

Depending on solenoid system.

Air supply must be dry enough to avoid ice formation at temperatures below +2°C (+35°F).

Materials:

Housing: Aluminium

Pilot flange: Plastic

Seat seal: NBR

Technical data

Symbol	Port size	Function	Operation/return	Nominal size (mm)	Operating pressure min. (bar)	Operating pressure max. (bar)	Flow (l/min)	Power consumption (W)	Weight (kg)	Dimensions No.	Model *
	G 1/4	3/2	Solenoid/air	6	1,0	10 *3)	1200	< 5	0,4	1	8010750 *2)
	G 1/4	3/2	Solenoid/air	6	2	8 *3)	1200	< 2	0,4	1	8010751 *2)
	G 1/2	3/2	Solenoid/air	12	1,5	10 *3)	3000	< 5	0,7	2	8010850 *2)
	G 1/2	3/2	Solenoid/air	12	2	8 *3)	3000	< 2	0,7	2	8010851 *2)
	G 1/4	3/2	Solenoid/air	6	1,0	10 *3)	1200	< 5	0,4	1	8012750 *2)
	G 1/2	3/2	Solenoid/air	12	1,5	10 *3)	3000	< 5	0,7	2	8012850 *2)
	G 1/4	3/2	Solenoid/solenoid	6	1,0	10	1200	< 5	0,77	3	8011750
	G 1/4	5/2	Solenoid/air	6	1	10 *3)	1200	< 5	0,4	5	2623000 *2)
	G 1/4	5/2	Solenoid/air	6	2	8 *3)	1200	< 2	0,4	5	2623001 *2)
	G 1/2	5/2	Solenoid/air	12	2	10 *3)	3000	< 5	0,7	6	2623500 *2)
	G 1/2	5/2	Solenoid/air	12	2	8 *3)	3000	< 2	0,7	6	2623501 *2)
	G 1/4	5/2	Solenoid/solenoid	6	1	10	1200	< 5	0,4	7	2623100
	G 1/4	5/2	Solenoid/solenoid	6	2	8	1200	< 2	0,4	7	2623101
	G 1/2	5/2	Solenoid/solenoid	12	2	10	3000	< 5	0,7	8	2623600
	G 1/2	5/2	Solenoid/solenoid	12	2	8	3000	< 2	0,7	8	2623601
	G 1/4	5/3 COE	Solenoid/solenoid	6	3	10	900	< 5	1,0	9	2623200
	G 1/2	5/3 COE	Solenoid/solenoid	12	2,5	10	2200	< 5	1,6	10	2623700
	G 1/4	5/3 APB	Solenoid/solenoid	6	3	10	900	< 5	1,0	9	2623300
	G 1/2	5/3 APB	Solenoid/solenoid	12	2,5	10	2200	< 5	1,6	10	2623800
	G 1/4	5/3 COP	Solenoid/solenoid	6	3	10	900	< 5	1,0	9	2623400

* When ordering please indicate solenoid, voltage and current type (frequency).

*2) Port 3 is not throttleable

*3) Stagnation pressure at 3 ≤ operating pressure - 1 bar

APB = All Ports Blocked, COE = Centre Open Exhaust, COP = Centre Open Pressure

Solenoid actuators

	Power consumption		Rated current		Protection class IP/NEMA	Ex-Protection (ATEX-Category)	Temperature Ambient/ Media (°C)	Electrical connection	Weight (kg)	Drawing No.	Circuit diagram No.	Model
	24 V d.c. (W)	230 V a.c. (VA)	24 V d.c. (m A)	230 V a.c. (m A)								
	1,8	—	70	—	IP65 (with connector)	—	-15 ... +50	Connector DIN EN 175301-803, form B *1)	0,1	11	1	3050
	4,8	8,5	70	—	IP65 (with connector)	—	-15 ... +50	Connector DIN EN 175301-803, form B *1)	0,1	11	1	3052
	4,4	8,0	190	—	IP65 (with connector)	—	-15 ... +50	Connector DIN EN 175301-803, form B *1)	0,1	12	1	3030
	1,6	—	30	—	IP65 (with connector)	—	-15 ... +50	Connector DIN EN 175301-803, form A *1)	0,1	12	1	3036
	5,0	—	210	—	IP65 (with connector)	II 2 G Ex mb IIC T4/ T5 Gb II 2 G Ex mb IIC T4 Gb II 2 D Ex mb tb T130°C Db	-20 ... +50	Cable length 3 m	0,3	13	15	3060
	—	5	—	22	IP65 (with connector)	II 2 G Ex mb IIC T4 Gb II 2 D Ex mb tb T130°C Db	-20 ... +50 *2)	Cable length 3 m	0,3	13	15	3061
	2,7	—	115	—	IP65 (with connector)	II 2 G Ex mb IIC T5 Gb II 2 D Ex mb tb T95°C Db	-20 ... +50 *2)	Cable length 3 m	0,3	13	14	3062
	—	2,1	—	9	IP65 (with connector)	II 2 G Ex mb IIC T5 Gb II 2 D Ex mb tb T95°C Db	-20 ... +50 *2)	Cable length 3 m	0,3	13	15	3063
	2,7	—	115	—	IP66 (with connector)	—	-10 ... +50	Connector *1) M12x1, DIN IEC 61076-2-101 Solenoid with yellow LED	0,1	14	17	3071

Standard voltages (±10%) 24 V d.c., 230 V a.c., other voltages on request.

*1) Connector is not scope of delivery, see table »Accessories« Valves and solenoids can only be combined if their electrical ratings correspond with each other (see table »Technical Data«).

For valve with power consumption < 5 watt please use 4,8 or 4,5 watt solenoids.

For valve with power consumption < 2 watt please use 1,7 or 1,6 watt solenoids.

Approvals

Model	Approvals ATEX	IECEX	FM	Datasheet
306x	PTB 03 ATEX 2015	—	—	N/en 7.1.560
307x	EC-Declaration of Conformity	—	—	N/en 7.1.565

Accessories

Connector DIN EN 175301-803	Connector M12 x 1	Silencer *1)	
0570275 (Form A)	0523055 (without cable)	0523056 (90°, without cable)	M/S2 (G1/4)
0680003 (Form B)	0523057 (2 m Cable)	0523058 (90°, 2 m Cable)	M/S4 (G1/2)
	0523052 (5 m Cable)	0523053 (90°, 5 m Cable)	

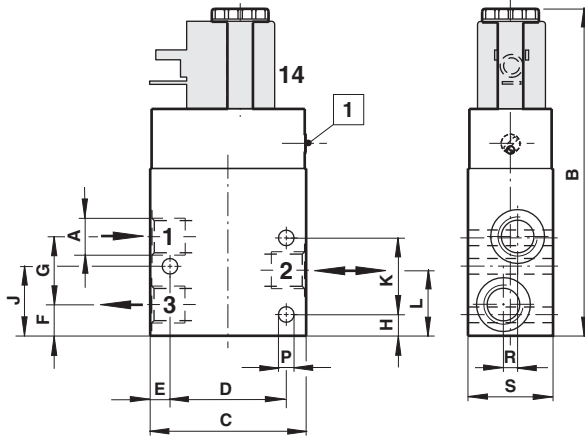
*1) For indoors use only

Dimensions
Valves

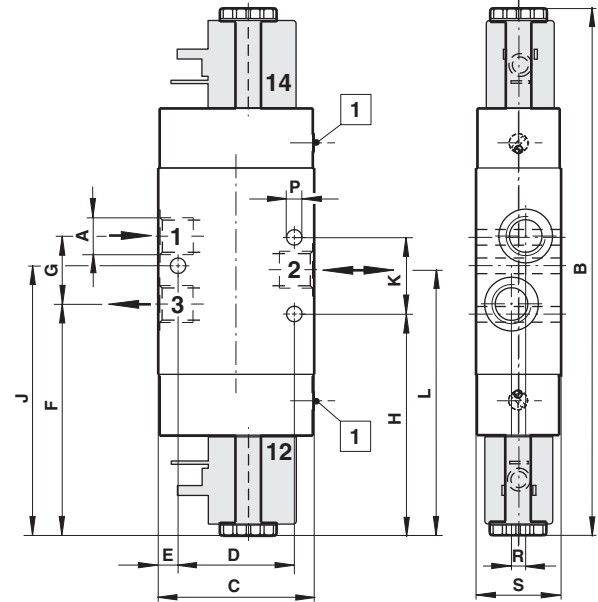
Dimensions in mm
Projection/First angle



1 2



3 4



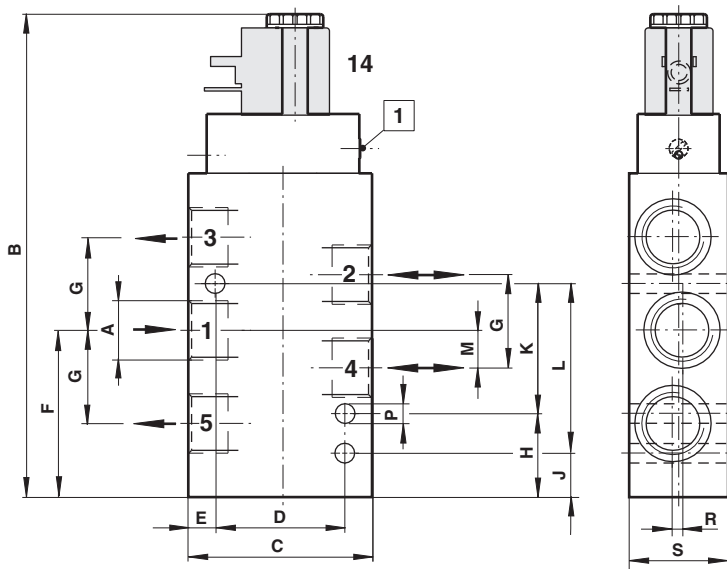
1 Manual override

1 Manual override

No.	A	B	C	D	E	F	G	H	J	K	L	ØP	R	S
1	G 1/4	115,5	55	41	7	11	24	7,5	24,5	27	23	5,5	5	30
2	G 1/2	143,5	65	46	9,5	29	33	31,5	-	46	50	7	2,5	35

No.	A	B	C	D	E	F	G	H	J	K	L	ØP	R	S
3	G 1/4	186,5	55	41	7	81,5	24	78	95	27	93,5	5,5	5	30
4	G 1/2	195,5	65	46	9,5	81	33	81	-	46	100,5	7	2,5	35

5 6

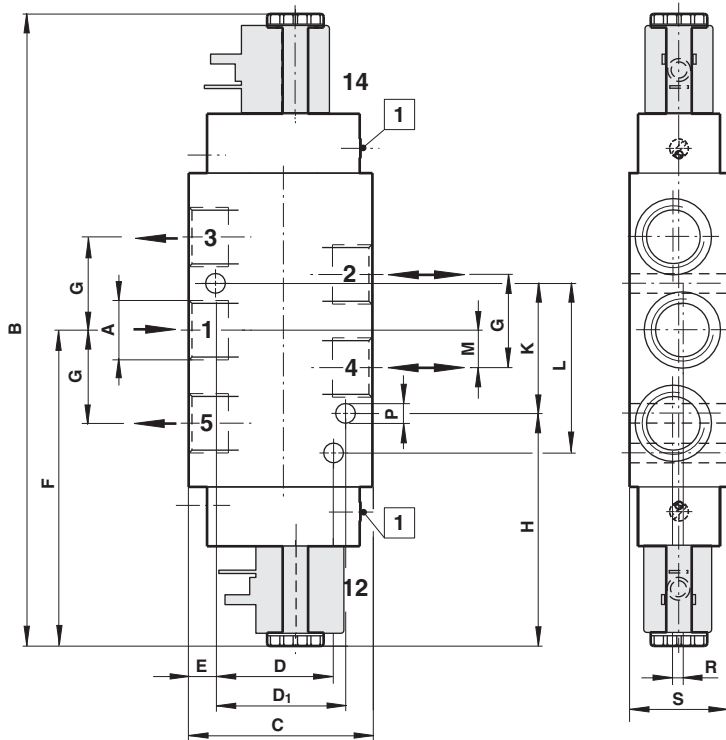


1 Manual override

No.	A	B	C	D	E	F	G	H	J	K	L	M	ØP	R	S
5	G 1/4	139,5	55	40	7,5	35	24	-	5	-	67	12	7	5	30
6	G 1/2	171,5	65	46	9,5	59,5	33	30	16	46	60	13	7	3	35

7 ... 10

Dimensions in mm
 Projection/First angle



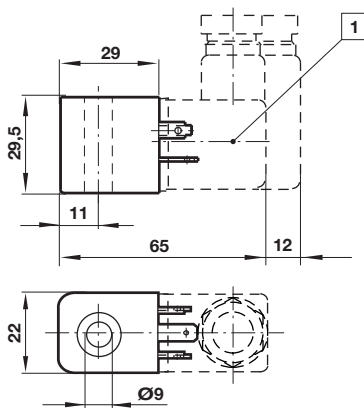
1 Manual override

No.	A	B	C	D	D1	E	F	G	H	K	L	M	Ø P	R	S
7	G 1/4	214,5	55	40	40	7,5	107,5	24	77,5	67	-	12	7	5	30
8	G 1/2	223,5	65	46	46	9,5	112	33	82,5	46	60	13	7	3	35
9	G 1/4	232,5	55	40	40	7,5	118	24	88	67	-	12	7	5	30
10	G 1/2	289	70	46	50	10	144,5	33	-	50	60	16,5	7	4	40

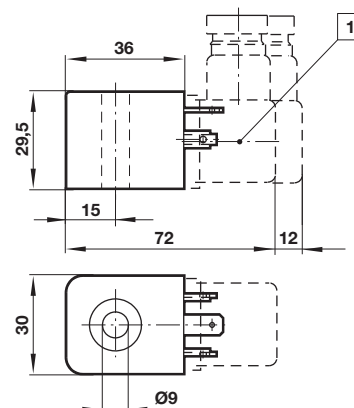
Dimensions

Solenoid operators

11

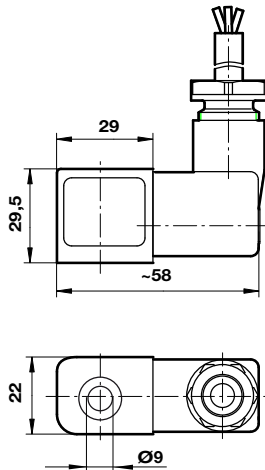


12

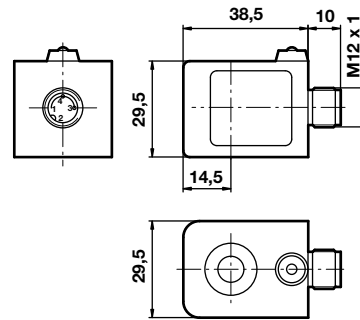


1 Connector 4 x 90° turnable

13



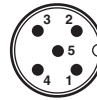
14



Dimensions in mm
Projection/First angle



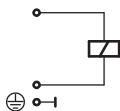
Electrical connection M 12 x 1



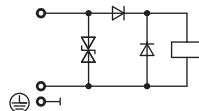
Pin	Signal	Cable
1	+ UB	brown
2	Out 2 (PNP) / analogue 4 to 20 mA	white
3	0 Volt	blue
4	Out 1 (PNP)	black

Circuit diagramm

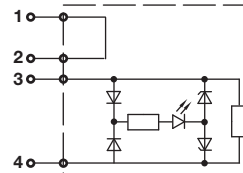
1



15



17



Silencer

Model: M/S2, M/S4



B	G	C	Ø D	Weight (g)	Model
G1/4	7	35,5	15,5	2,9	M/S2
G1/2	12	67	23	11,5	M/S4

Warning

These products are intended for use in industrial compressed air systems only. Do not use these products where pressures and temperatures can exceed those listed under »Technical features/data«.

Before using these products with fluids other than those specified, for non-industrial applications, life-support systems or other applications not within published specifications, consult IMI NORGREN.

Through misuse, age, or malfunction, components used in fluid power systems can fail in various modes.

The system designer is warned to consider the failure modes of all component parts used in fluid power systems and to provide adequate safeguards to prevent personal injury or damage to equipment in the event of such failure.

System designers must provide a warning to end users in the system instructional manual if protection against a failure mode cannot be adequately provided.

System designers and end users are cautioned to review specific warnings found in instruction sheets packed and shipped with these products.