



ALL RIGHTS RESERVED. NO PORTION OF THIS PUBLICATION, WHETHER IN WHOLE OR IN PART CAN BE REPRODUCED WITHOUT THE EXPRESS WRITTEN CONSENT OF SPC TECHNOLOGY.

SPC-F008.DWG

REVISIONS

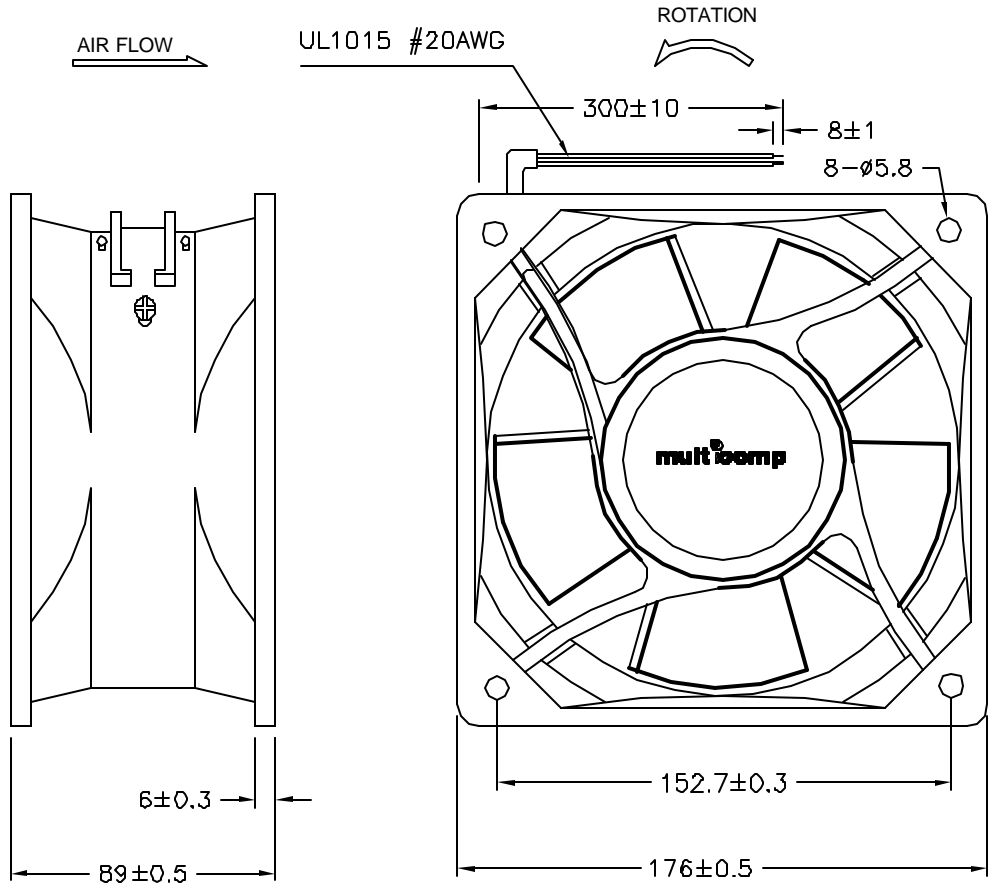
DOC. NO. SPC-F005 \* Effective: 7/8/02 \* DCP No: 1398

DCP #	REV	DESCRIPTION	DRAWN	DATE	CHECKD	DATE	APPRVD	DATE
1943	A	RELEASED	JN	08/26/08	JWM	11/06/08	JWM	11/06/08

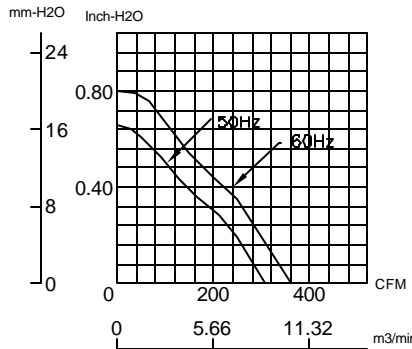


SPECIFICATIONS

- 1-1. Rated Voltage : 115 VAC 50/ 60 Hz
- 1-2. Operating Voltage Range : 75~125 VAC
- 1-3. Starting Voltage : 75 VAC (25°C POWER ON/OFF)
- 1-4. Rated Speed : 2800/3250 RPM ± 10 %
- 1-5. Air Delivery : 315/335 CFM
- 1-6. Static Pressure : 0.65/.80 Inch-H2O
- 1-7. Rated Current : 0.25/0.27 AMP
- 1-8. Rated Power : 24/30 WATTS
- 1-9. Noise Level : 62/66 dB(A)
- 1-10. Direction of Rotation : Clockwise viewed from front fan blade
- 1-11. Operating Temperature : -10 to +70 Deg.C
- 1-12. Storage Temperature : -40 to +70 Deg.C
- 1-13. Bearing System : Precise ball bearing system
- 1-14. Weight : 1960 g
- 1-16. Safety: UL/CUR/CE Approved



PERFORMANCE



DISCLAIMER: ALL STATEMENTS AND TECHNICAL INFORMATION CONTAINED HEREIN ARE BASED UPON INFORMATION AND/OR TESTS WE BELIEVE TO BE ACCURATE AND RELIABLE. SINCE CONDITIONS OF USE ARE BEYOND OUR CONTROL, THE USER SHALL DETERMINE THE SUITABILITY OF THE PRODUCT FOR THE INTENDED USE AND ASSUME ALL RISK AND LIABILITY WHATSOEVER IN CONNECTION THEREWITH.

TOLERANCES: UNLESS OTHERWISE SPECIFIED, DIMENSIONS ARE FOR REFERENCE PURPOSES ONLY.

DRAWN BY:	DATE:
Jason Nash	08/26/08
CHECKED BY:	DATE:
JWM	11/06/08
APPROVED BY:	DATE:
JWM	11/06/08

DRAWING TITLE: <b>AXIAL AC FAN, 115VAC</b>			
SIZE <b>A</b>	DWG. NO. <b>MC24617</b>	ELECTRONIC FILE <b>03P9715.DWG</b>	REV <b>A</b>
SCALE: NTS	U.O.M.: Millimeters	SHEET: 1 OF 1	