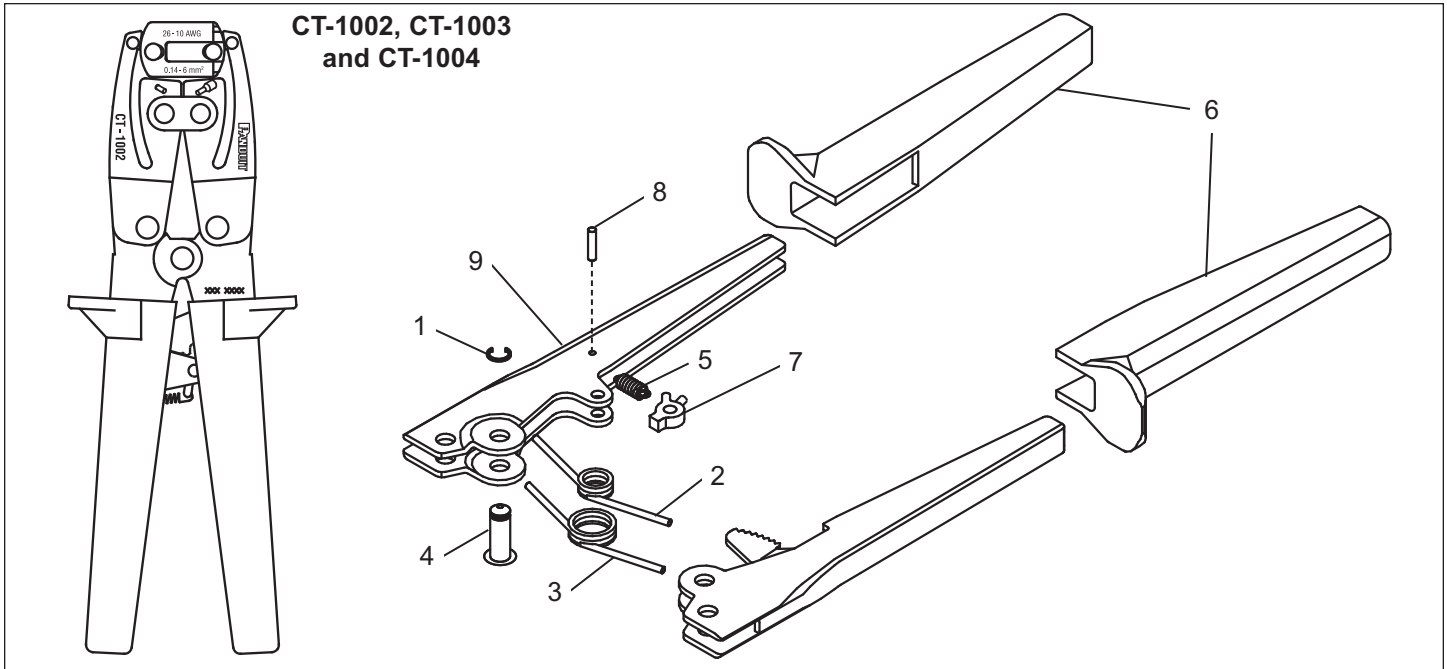


## REPLACEMENT SPRING KIT FOR CT-1002, CT-1003 and CT-1004 INSTALLATION INSTRUCTIONS

© Panduit Corp. 2016



### Replacing Handle Return Springs

1. Remove Handle Grips (6).
2. Remove Retaining Ring (1) from Pivot Pin (4).
3. Push pivot pin out of Handles (9).
4. Remove both Handle Return Springs (2, 3)
5. Thread small spring (2) through larger spring (3) to interlock both springs. (The small spring coil will be inside large spring coil, with legs below and parallel to large spring legs.)
6. Slide springs into position under pivot hole.
7. Align holes in handles with the loop in springs. (It may be helpful to use a pin or screwdriver to align spring loops and holes from opposite side.) Push pivot pin through handles and springs.
8. Snap retaining ring in back of pivot pin.
9. Push on handle grips.

### PARTS LIST

| ITEM # | QTY. | DESCRIPTION                |
|--------|------|----------------------------|
| 1      | 1    | Retaining Ring             |
| 2      | 1    | Small Handle Return Spring |
| 3      | 1    | Large Handle Return Spring |
| 4      | 1    | Pivot Pin                  |
| 5      | 1    | Pawl Spring                |

### REFERENCE PARTS

|   |   |              |
|---|---|--------------|
| 6 | 0 | Handle Grips |
| 7 | 0 | Pawl         |
| 8 | 0 | Post         |
| 9 | 0 | Handle       |

### Pawl Spring Replacement

#### Tools:

Small Pick  
Small screwdriver

1. Remove Handle Grip (6) covering Pawl (7).
2. Open handles and remove broken or stretched Pawl Spring (5).
3. With pick, install Pawl Spring Loop (9) on Pawl (8).
4. With a small pick, stretch the other end of the spring over Post (8). Use the small screwdriver to push the loop off the pick and onto the pin.  
**Caution: Do Not stretch** open the spring loop beyond the Post (8) or the loop will pull out of the pawl at the end of the tool cycle.
5. Replace handle grip.

E-mail:  
techsupport@panduit.com

**PANDUIT**  
www.panduit.com

Technical Support:  
1-800-777-3300