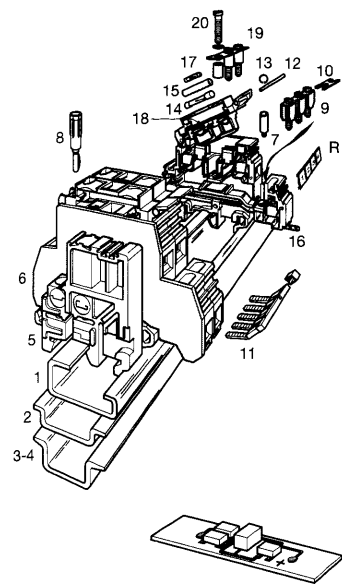


Fuse-holder terminal blocks, double deck, for 5 x 20 mm GMA and 5 x 25 mm fuses



Removable fusion indicator

Characteristics

Wire size (see generalities)	Solid wire Stranded wire	DIN-VDE	UL	CSA	NFC-UTE	DIN-VDE	UL	CSA	NFC-UTE	DIN-VDE	UL	CSA	NFC-UTE
		0-4 mm ² 0-4 mm ²	22-12AWG	18-12AWG	0-4 mm ² 0-4 mm ²	0-4 mm ² 0-4 mm ²	22-12AWG	18-12AWG	0-4 mm ² 0-4 mm ²	0-4 mm ² 0-4 mm ²	22-12AWG	18-12AWG	0-4 mm ² 0-4 mm ²
Rated voltage	V ~ AC = DC	500 Gr.C 600 Gr.C	600	250	500 Cat.C 500 Cat.C	500 Gr.C 600 Gr.C	600	250	500 Cat.C 500 Cat.C	500 Gr.C 600 Gr.C	600	250	500 Cat.C 500 Cat.C
Rated current	A	6.3	6.3	6.3	6.3	6.3	6.3	6.3	6.3	6.3	6.3	6.3	6.3
Rated wire size		4 mm ² 12 AWG	12 AWG	12 AWG	2.5 mm ²	4 mm ² 12 AWG	12 AWG	12 AWG	2.5 mm ²	4 mm ² 12 AWG	12 AWG	12 AWG	2.5 mm ²
Other characteristics		Wire stripping length 9.5 mm .374"	Recommended screwdriver 4 mm	Recommended torque 0.4-0.6 Nm 3.5-5.3lb.in	Protection IP20	Wire stripping length 9.5 mm .374"	Recommended screwdriver 4 mm	Recommended torque 0.4-0.6 Nm 3.5-5.3lb.in	Protection IP20	Wire stripping length 9.5 mm .374"	Recommended screwdriver 4 mm	Recommended torque 0.4-0.6 Nm 3.5-5.3lb.in	Protection IP20

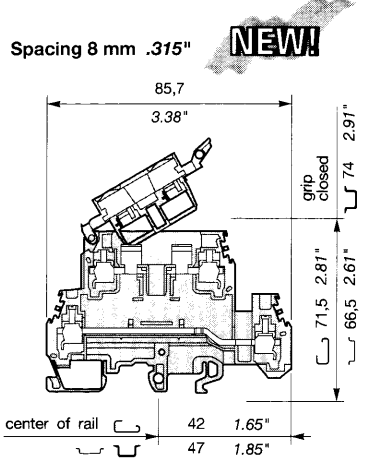
Approvals (Contact Entelec)

UL	CSA	NFC	UTE	UL	CSA	NFC	UTE	UL	CSA	NFC	UTE
----	-----	-----	-----	----	-----	-----	-----	----	-----	-----	-----

Accessories

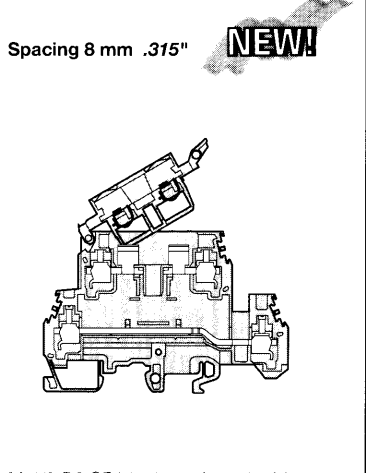
- 1 Rail 32 x 15 DIN1
- 2 Rail 35 x 7.5 x 1 DIN3
- 3 Rail 35 x 15 x 2.3 DIN3
- 4 Rail 35 x 15 x 1.5
- 5 High end stop (recommended)
- 6 End section
- 7 Test socket
- 8 Test plug
- 9 Assembled jumper bar
- 10 Connector plate
- 11 Comb-type jumper bar
- 12 Assembly rod (to allow multi-pole operation)
- 13 Assembly ring
- 14 Fuse 5x20 mm and 5x25 mm - 250 V fast acting
- 15 Disconnect link bar
- 16 Shield connector
- 17 Neon lamp
- 18 LED detector
- 19 Jumper bar not preassembled
- 20 Screw for item 19
- R See markers section Marking method

M 4/8.D2.SF



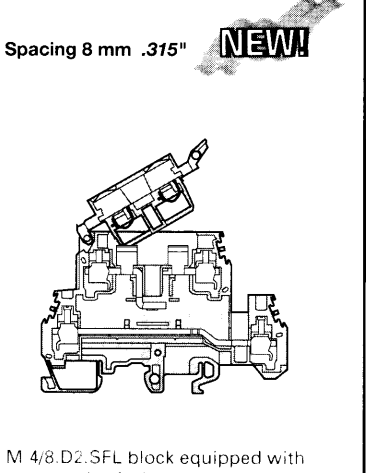
Standard block
Type P/N
 Grey body
M 4/8.D2.SF 115 604.21

M 4/8.D2.SFL



M 4/8.D2 SF block equipped with contacts for fusion indicator, delivered separately.
Type P/N
 Grey body
M4/8.D2.SFL 115 605.22

M 4/8.D2.SFL1



M 4/8.D2.SFL block equipped with contacts for fusion indicator delivered separately. Internal jumpering option delivered separately.
Type P/N
 Grey body
M4/8.D2.SFL1 115 606.23

Type	P/N
PR1 Z2	163 050.04
PR30 prepunched	173 220.05
PR4	168 500.12
PR5 prepunched	101 598.26
BAMH	114 836.00
FEM8D2S	116 913.07
AL (1) (4)	(see access.)
FC	(see access.)
BJM8 (4)	(see access.)
EL6	173 627.21
PC81 10 poles	173 523.11
TGA8 2 poles	168 672.11
3 poles	168 673.12
4 poles	168 674.13
ANT (2)	168 675.14
FU520 1.6 A	168 831.21
2 A	168 832.22
2.5 A	168 833.23
4 A	168 834.24
6.3 A	168 835.25
FU525 1.6 A	167 546.22
2 A	167 547.23
2.5 A	167 548.04
4 A	167 549.05
6.3 A	167 550.02
CN5	168 804.07
CBD2S	178 408.14

Type	P/N
PR1 Z2	163 050.04
PR30 prepunched	173 220.05
PR4	168 500.12
PR5 prepunched	101 598.26
BAMH	114 836.00
FEM8D2S	116 913.07
AL (1) (4)	(see access.)
FC	(see access.)
BJM8 (4)	(see access.)
EL6	173 627.21
PC81 10 poles	173 523.11
TGA8 2 poles	168 672.11
3 poles	168 673.12
4 poles	168 674.13
ANT (2)	168 675.14
FU520 1.6 A	168 831.21
2 A	168 832.22
2.5 A	168 833.23
4 A	168 834.24
6.3 A	168 835.25
FU525 1.6 A	167 546.22
2 A	167 547.23
2.5 A	167 548.04
4 A	167 549.05
6.3 A	167 550.02
CN5	168 804.07
CBD2S	178 408.14
LEN 110-220 V AC	167 075.25
LEL24 24 V	178 469.10
LEL48 48 V	178 470.15

Type	P/N
PR1 Z2	163 050.04
PR30 prepunched	173 220.05
PR4	168 500.12
PR5 prepunched	101 598.26
BAMH	114 836.00
FEM8D2S	116 913.07
AL (1) (4)	(see access.)
FC	(see access.)
BJM8 (4)	(see access.)
EL6	173 627.21
PC81 10 poles	173 523.11
TGA8 2 poles	168 672.11
3 poles	168 673.12
4 poles	168 674.13
ANT (2)	168 675.14
FU520 1.6 A	168 831.21
2 A	168 832.22
2.5 A	168 833.23
4 A	168 834.24
6.3 A	168 835.25
FU525 1.6 A	167 546.22
2 A	167 547.23
2.5 A	167 548.04
4 A	167 549.05
6.3 A	167 550.02
CN5	168 804.07
CBD2S	178 408.14
LEN 110-220 V AC	167 075.25
LEL24 24 V	178 469.10
LEL48 48 V	178 470.15
BJS8 (3)	(see access.)
VJS11	163 394.26

(6) (17) (use RC 610 on lever, use RC 810 on side) (6) (17) (use RC 610 on lever, use RC 810 on side)
 (1) AL2 163 043.21 - AL3 163 261.00 - AL4 163 262.01. (2) For assembly of item 12, 1 needed. (3) Use of this accessory requires the user to cut out the partition. For item 20, one screw per point required. (4) These accessories can be used on the lower connection only.