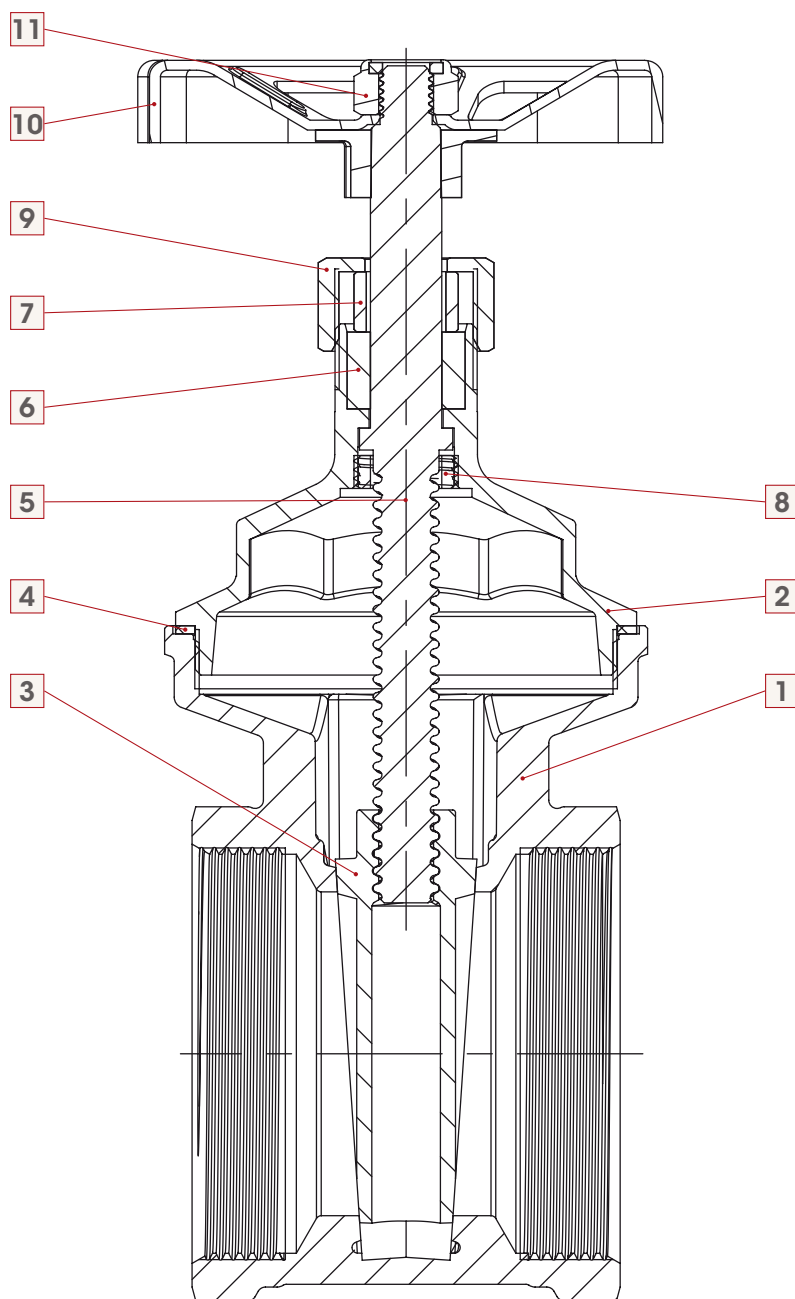


Pos.	DESCRIZIONE / DESCRIPTION	Qt.	MATERIALE / MATERIAL
1	Corpo / Body	1	Ottone / Brass CW617N
2	Vitone / Bonnet	1	Ottone / Brass CW617N
3	Disco / Disk	1	Ottone / Brass CW617N
4	Guarnizione / Washer	1	NA-1002
5	Asta / Stem	1	Ottone / Brass CW617N
6	Guarnizione calcatreccia / Packing-gland washer	1	FE1000
7	Calcatreccia / Packing-gland	1	Ottone / Brass CW617N
8	Ferma asta / Stem stopper	1	Ottone / Brass CW617N
9	Calotta / Cap	1	Ottone / Brass CW617N
10	Volantino / Handle	1	Acciaio / Steel P11
11	Dado autobloccante / Self-locking nut	1	Acciaio / Steel CL8

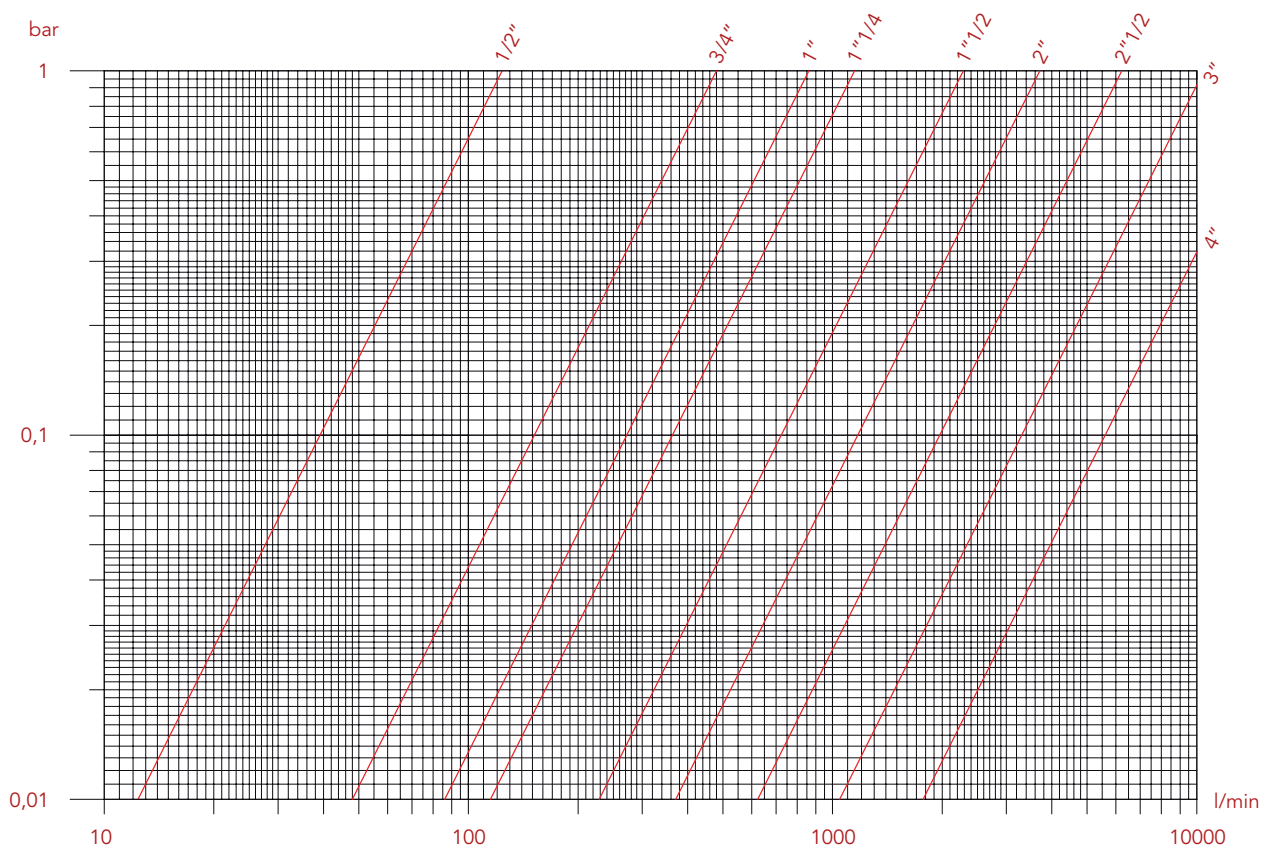
156 - 2" 1/2, 3", 4"



Pos.	DESCRIZIONE / DESCRIPTION	Qt.	MATERIALE / MATERIAL
1	Corpo / Body	1	Ottone / Brass CC754S
2	Vitone / Bonnet	1	Ottone / Brass CW617N
3	Disco / Disk	1	Ottone / Brass CW617N
4	Guarnizione / Washer	1	NA-1002
5	Asta / Stem	1	Ottone / Brass CW617N
6	Guarnizione calcatreccia / Packing-gland washer	1	FE1000
7	Calcatreccia / Packing-gland	1	Ottone / Brass CW617N
8	Ferma asta / Stem stopper	1	Ottone / Brass CW617N
9	Calotta / Cap	1	Ottone / Brass CW617N
10	Volantino / Handle	1	Acciaio / Steel P11
11	Dado autobloccante / Self-locking nut	1	Acciaio / Steel CL8

LOSS DIAGRAM WITH WATER

Art: 156





DECLARATION OF CONFORMITY

(According to EN ISO/IEC 17050-1)

The ITAP S.p.A. manufacturer of valves, fittings, manifolds and accessories for thermo-sanitary plants, with head office in via Ruca 19/21 – 25065 Lumezzane S.S. (BS) Italy.

DECLARES

Under its sole responsibility that the art. 156 brass gate valves PN16 have been built according to industry standards and conform to their technical specifications, respecting the Company Quality System complies with UNI EN ISO 9001.

Lumezzane 29 July 2015

Industrial Manager.


ITAP S.p.A.
IL CONSIGLIERE DELEGATO
EZIO PATTI

DECLARATION OF CONFORMITY