

# FIL + DEP Skillair®

Refer to the sections on the single modules for a further description, components and other technical data.



UNITS

FIL + DEP Skillair®

TECHNICAL DATA			F + D 100		F + D 200			F + D 300			F + D 400			
Threaded port			1/4"	3/8"	1/4"	3/8"	1/2"	1/2"	3/4"	1"	1"	1 1/4"	1 1/2"	2"
Degree of filtration	Filter	µm	5		5			5			5			
	Depurator	µm	0.01		0.01			0.01			0.01			
Max. inlet pressure		MPa	1.5		1.3			1.3			1.3			
		bar	15		13			13			13			
		psi	217		188			188			188			
Max temperature at 10 bar		°C	50		50			50			50			
		°F	122		122			122			122			
Weight		kg	0.6		1.3			2.2			~ 7			
Wall fixing screws			M4 x 50		M5 x 60			M5 x 70			M6 x 110			
Maximun suggested flow rate			Please look at the flow rate curves at page C3.12											
Fluid			Compressed air.											
Notes on use			The maximum inlet pressure for the version with RA automatic condensate drainage must not exceed 10 bar.											

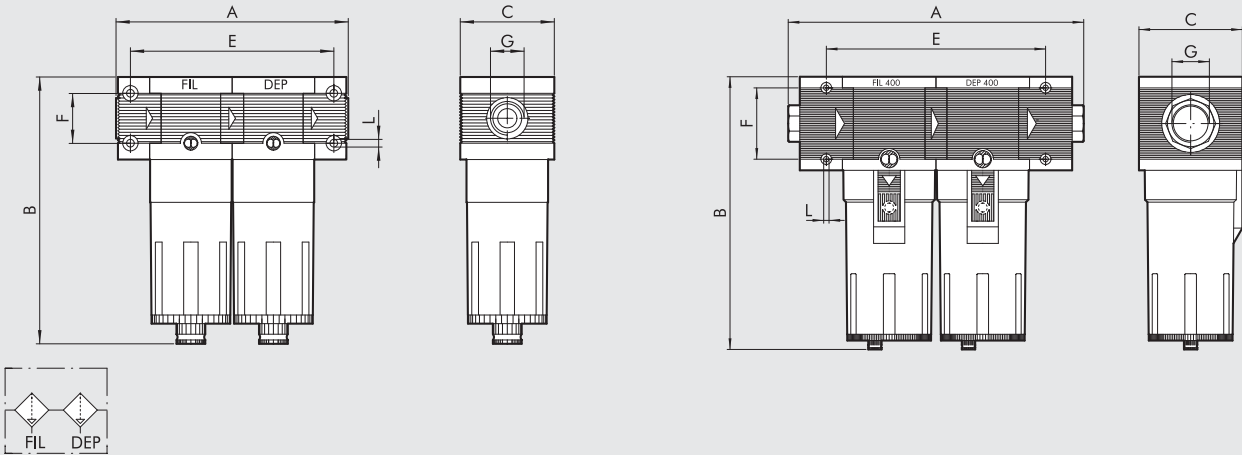
## SYNOPTIC, SIZES AND VERSIONS

F+D	100	1/4	5	RMSA	
ELEMENT	SIZE	THREADED PORT	DEGREE OF FILTRATION	TYPE OF CONDENSATE DRAIN	
F+D	100	1/4 3/8	5 = 5 µm	RMSA SAC RMSA RA	RMSA: drain with manual condensate discharge and automatic discharge at zero pressure RA: automatic drain with condensate discharge, independent of pressure and flow rate. (for size 300 and 400) SAC: automatic drain with condensate discharge. <b>Operates by depression – requires variable air take-offs.</b> (for size 100 and 200)
	200	1/4 3/8 1/2			
	300	1/2 3/4			
	400	1 1 1 1/4 1 1/2 2			

**DIMENSIONS FIL + DEP**

100 - 200 - 300

400



	FIL + DEP 100		FIL + DEP 200			FIL + DEP 300			FIL + DEP 400			
		1/4"   3/8"	1/4"	3/8"	1/2"	1/2"	3/4"	1"	1"	1" 1/4"	1" 1/2"	2"
<b>Threaded port G</b>												
<b>A</b>		121		149		175	177		330 to 360			388 to 418
<b>B</b>	<b>RMSA</b>	144		175			195		320			
	<b>RA</b>	-		179			199		324			
	<b>SAC</b>	148		179			199		324			
<b>C</b>		50		63			72		116			
<b>E</b>		106		134			157		247			
<b>F</b>		26		36			42		80			
<b>L</b>		M4 hole		M5 hole			M5 hole		M6 hole			

**ORDERING CODES**

Code	Description	Code	Description
<b>F+D Skillair® 100</b>			
3289001	F+D 100 1/4 5 RMSA-RMSA	4489001	F+D 300 1/2 5 RMSA-RMSA
3289005	F+D 100 1/4 5 SAC-RMSA	4489002	F+D 300 1/2 5 RA-RA
3289006	F+D 100 1/4 5 SAC-SAC	4589001	F+D 300 3/4 5 RMSA-RMSA
3389001	F+D 100 3/8 5 RMSA-RMSA	4589002	F+D 300 3/4 5 RA-RA
3389005	F+D 100 3/8 5 SAC-RMSA	4689001	F+D 300 1 5 RMSA-RMSA
3389006	F+D 100 3/8 5 SAC-SAC	4689002	F+D 300 1 5 RA-RA
<b>F+D Skillair® 200</b>			
3489001	F+D 200 1/4 5 RMSA-RMSA	6189001	F+D 400 1 5 RMSA-RMSA
3489005	F+D 200 1/4 5 SAC-RMSA	6189002	F+D 400 1 5 RA-RA
3489006	F+D 200 1/4 5 SAC-SAC	6289001	F+D 400 1 1/4 5 RMSA-RMSA
3589001	F+D 200 3/8 5 RMSA-RMSA	6289002	F+D 400 1 1/4 5 RA-RA
3589005	F+D 200 3/8 5 SAC-RMSA	6389001	F+D 400 1 1/2 5 RMSA-RMSA
3589006	F+D 200 3/8 5 SAC-SAC	6389002	F+D 400 1 1/2 5 RA-RA
3689001	F+D 200 1/2 5 RMSA-RMSA	6489001	F+D 400 2 5 RMSA-RMSA
3689005	F+D 200 1/2 5 SAC-RMSA	6489002	F+D 400 2 5 RA-RA
3689006	F+D 200 1/2 5 SAC-SAC		

UNITS  
FIL + DEP Skillair®