

Supporting Elements · for clamps

23200.0010



Product Description

Supporting elements are used in combination with clamps.

Material

Knurled screw

- Brass

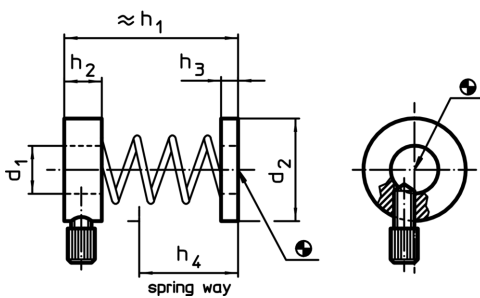
Rings

- Aluminium, highly refractory

Spring

- stainless steel

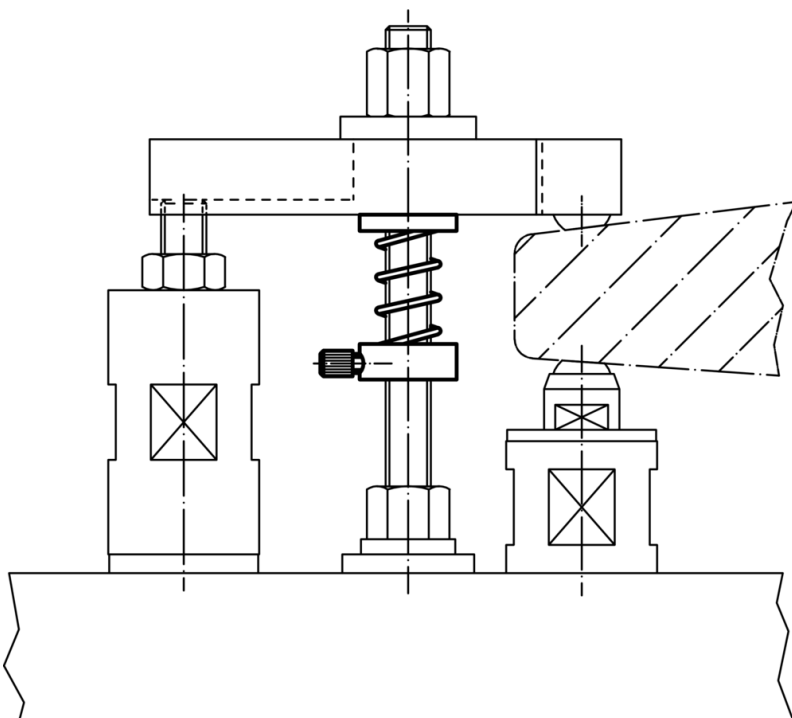
Drawing



Order information

d ₁	d ₂	Dimensions				For screw	[g]	Art. No.
		h ₁	h ₂	h ₃	h ₄			
8.5	24	35	11	5	14	M6, M8	24	23200.0010

Application example



Compliance

Non-RoHS compliant

Contains SVHC substances >0,1% w/w

Does not contain Proposition 65 substances

Free from Conflict Minerals

This product does not contain any substances designated as "conflict minerals" such as tantalum, tin, gold or tungsten from the Democratic Republic of Congo or adjacent countries.