

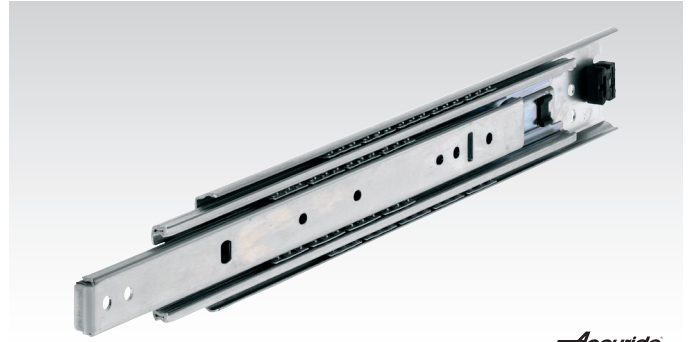
## Slides DZ 3301, Width 12.7 mm, to 68 kg, Over Extension

### Material:

Slide elements: Cold-rolled steel, bright zinc-plated.  
Ball retainers: Cold-rolled steel, zinc-plated.  
Balls: Hardened steel.

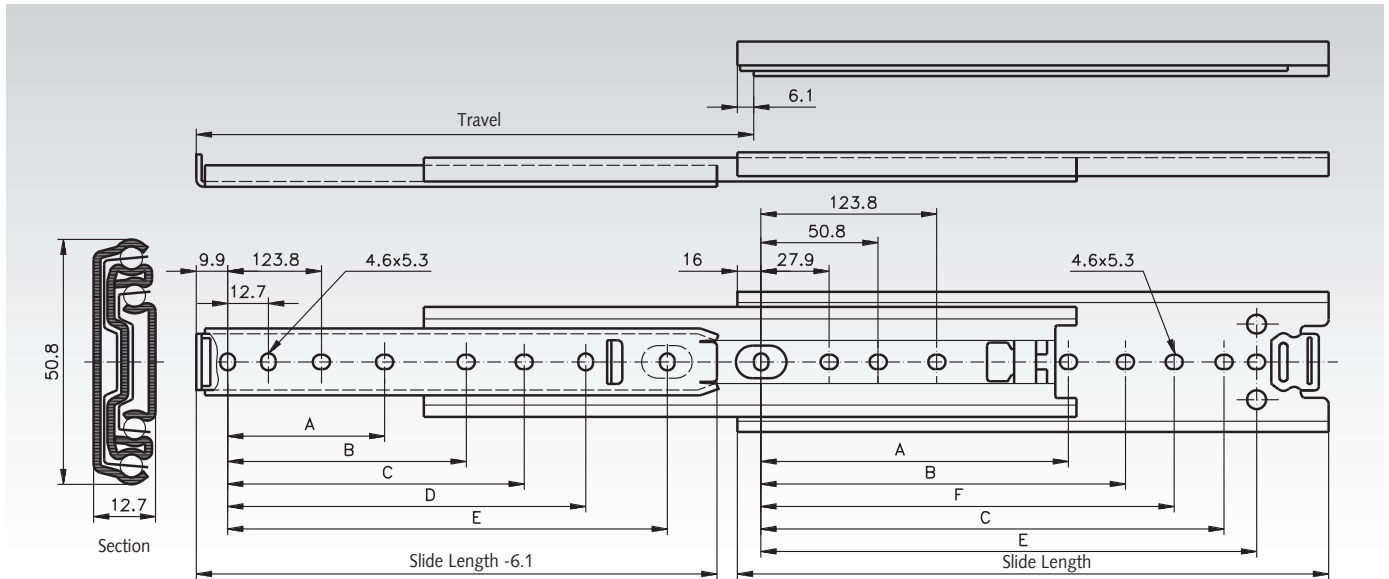
Telescopic ball bearing slides for applications in the industrial and electronics sector.

- Hold-in in closed position.
- Bracket mount for electrical cabinets on request.
- Service life 10,000 cycles.
- Temperature range: -20°C to +70°C.



Accuride

Ordering details: e.g.: Prod. No. 649 028 12, Slides DZ 3301



Product No. per Pair	Slide Length mm	Travel +/-3.2 mm	A mm	B mm	C mm	D mm	E mm	F mm	Load Rating per Pair kg	Weight per Pair kg
649 028 12	305	330	-	162,1	222,2	235,0	260,3	209,5	68	1,27
649 028 14	356	381	-	212,8	273,0	285,7	311,1	260,3	67	1,51
649 028 16	406	432	-	263,6	323,8	336,5	361,9	311,1	67	1,73
649 028 18	457	483	212,8	314,4	374,6	387,3	412,7	361,9	66	1,92
649 028 20	508	533	238,2	365,2	425,4	438,1	463,5	412,7	66	2,14
649 028 22	559	584	263,6	416,0	476,2	488,9	514,3	463,5	64	2,37
649 028 24	610	635	289,0	466,8	527,0	539,7	565,1	514,3	61	2,53
649 028 26	660	686	314,4	517,6	577,8	590,5	615,9	565,1	58	2,77
649 028 28	711	737	339,8	568,4	628,6	641,3	666,7	615,9	55	3,01

### Note

Recommended mounts: M4 screw.  
Use all mounting positions to achieve the max. load rating.  
The load capacity was tested at a slide spacing of 450mm.