

UNCONTROLLED DOCUMENT

SC:0.25

PART NUMBER

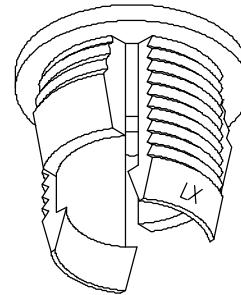
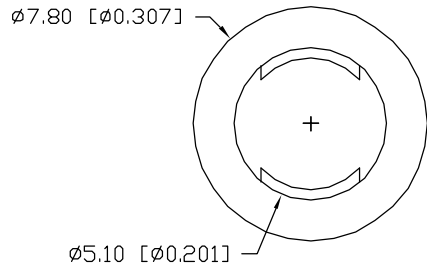
REV.

SSH-LX5091

D

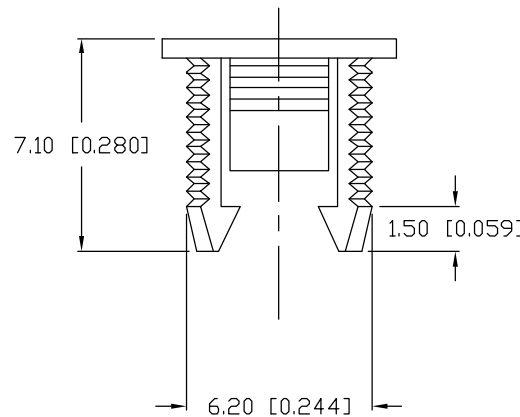
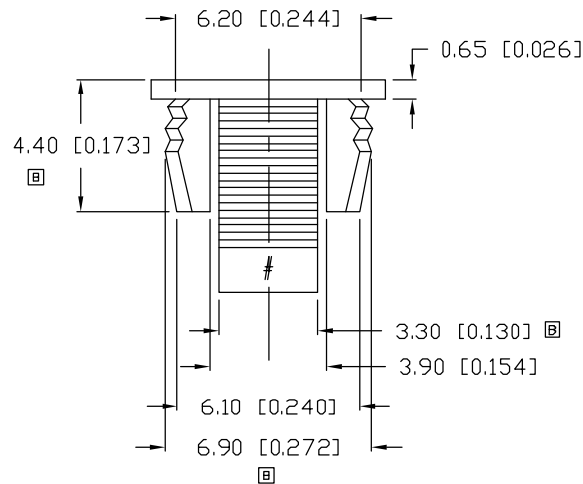
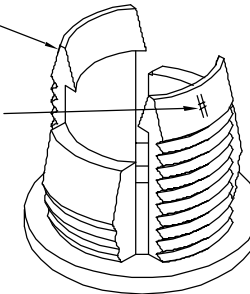
UNDER REVISION

REV.	E.C.N. NUMBER AND REVISION COMMENTS	DATE
A	E.C.N. #10BRDR. & REDRAWN.	04.01.99
B	E.C.N. #10525.	06.24.99
C	E.C.N. #11496.	04.10.08
D	E.C.N. #11526.	08.15.08



☐ LX MARKING

☐ CRAVITY # MARKING



NOTES:

1. MATERIAL: BLACK PP.
2. PANEL CUTOUT: 1/4".
3. PANEL THICKNESS: 0.050"-0.100".



UNCONTROLLED DOCUMENT

\*UNLESS OTHERWISE SPECIFIED TOLERANCES PER DECIMAL PRECISION ARE: X=±1 (±0.039), X.X=±0.5 (±0.020), X.XX=±0.25 (±0.010), X.XXX=±0.127 (±0.005). LEAD SIZE=±0.05 (±0.002), LEAD LENGTH=±0.75 (±0.030). MIN.=<sup>+</sup>DECIMAL PRECISION MAX.=<sup>+</sup>0.00  
-0.00 -DECIMAL PRECISION

REV.

PART NUMBER

D

SSH-LX5091

LED PANEL HOLDER FROM 5mm (T-1 3/4) LED,  
BLACK POLYPROYLENE.

CONFIDENTIAL INFORMATION

THE INFORMATION CONTAINED IN THIS DOCUMENT IS THE PROPERTY OF LUMEX INC. EXCEPT AS SPECIFICALLY AUTHORIZED IN WRITING BY LUMEX INC., THE HOLDER OF THIS DOCUMENT SHALL KEEP ALL INFORMATION CONTAINED HEREIN CONFIDENTIAL AND SHALL PROTECT SAME IN WHOLE OR IN PART FROM DISCLOSURE AND DISSEMINATION TO ALL THIRD PARTIES.

RELIABILITY NOTE

OUR MANY YEARS OF EXPERIENCE DATA ACCUMULATION INDICATE THAT SOLDER HEAT IS A MAJOR CAUSE OF EARLY AND FUTURE FAILURE. PLEASE PAY ATTENTION TO YOUR SOLDERING PROCESS.



290 E. HELEN ROAD  
PALATINE, IL 60067-6976  
PHONE: +1.847.359.2790  
US WEB: www.lumex.com  
TW WEB: www.lumex.com.tw

DRAWN BY:

CK/BC

CHECKED BY:

APPROVED BY:

DATE: 09.22.93

PAGE: 1 OF 1

SCALE: N/A