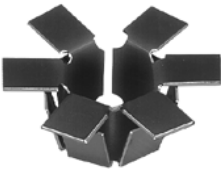
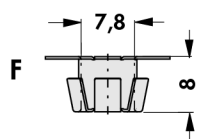
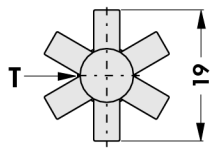


Clip-on heatsinks


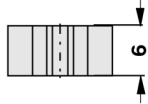
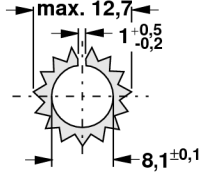

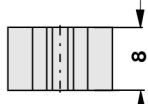
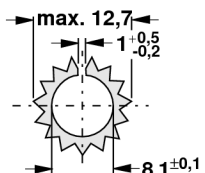

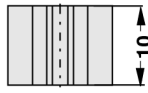
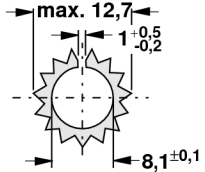
art. no.			60 K/W TO 5	
KK 562 GS				

T = gap; F = springy

material: special bronze Cu Zn 15


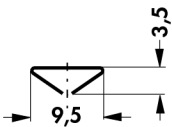
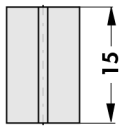

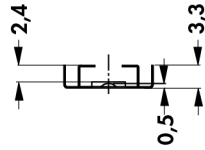
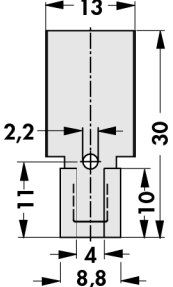
material thickness: 0,3 mm

surface treatment: blackened

art. no.			63 K/W TO 5	
SKK 56				
art. no.			55 K/W TO 5	
SKK 58				
art. no.			44 K/W TO 5	
SKK 510				

material: aluminium

surface treatment: etched (other surfaces on request)

art. no.			80 K/W TO 126 SOT 32 SOT 82	
KK 92				
art. no.			60 K/W TO 126 SOT 32 SOT 82	
KK 32				

material: special bronze Cu Zn 6

surface treatment: blackened

Attachable heatsinks → C 10 - 14
Finger-shaped heatsinks → C 2 - 3
Heatsinks for D PAK → C 17
Heatsinks for transistors → C 4 - 9

Extruded heatsinks → A 22 - 84
Standard aluminium profiles → A 133 - 134
Heatsink profile-overview → A 13 - 16
Classification table → A 18 - 20