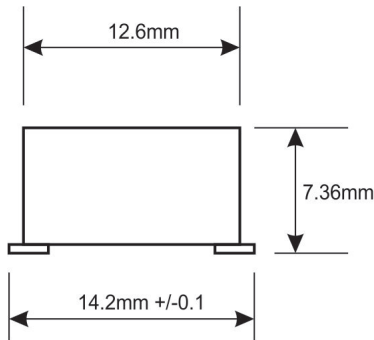


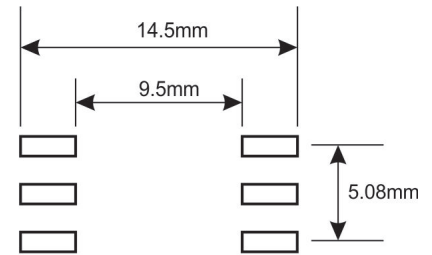


Features:

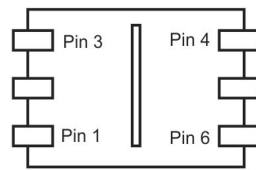
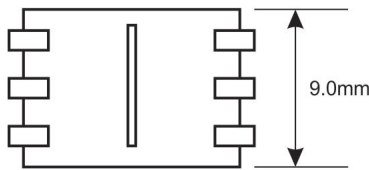
- SMT Low Profile PCB Line Isolation Transformer
- Impedance Line Matching 600:600 Ω
- Dielectric Strength: 4kVrms. (5500 Vdc 2Sec)
- RoHS Compliant
- Compliant To EN41003; IEC60950



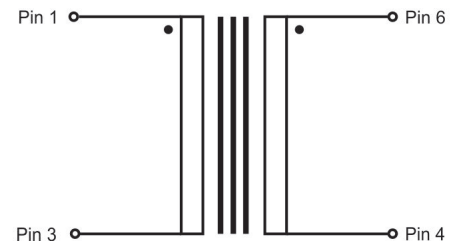
X: Year Code
 WW: Week of Manufacture



PCB Pad Layout, Pad width 1.2mm



Pin View (Bottom)



Electrical Schematic VTX-134-002

Part No	VTX-134-002		Unit
Suitable for modem speed up to:	V.34		----
Reflects 600 ohms at PRI with R load =	430		ohms
D.C. Resistance, +/-15%,PRI	111		ohms
D.C. Resistance, +/-15%,SEC	111		ohms
Frequency Response,200 to 4000 Hz	+/-0.2		dB
Insertion Loss at 2kHz,(ref 600Ω Load),max.	4		dB
Return Loss vs.600 ohms at 200~4kHz	-18 min		dB
Dielectric Test PRI-SEC	4000		Vrms
Direct Current PRI, maximum	none		mA DC
Turns Ratio (PRI:SEC),+/-2%	1:1		----
Longitudinal Balance, 200 to 4000 Hz,min.	80		dB
Total Harmonic Distortion 0dBm, 600 Hz	-100		dBm
Leakage Inductance	4.1		mH
Saturation	<10V		Vrms
Operational Temperature Range	-20°C to +85°C		°C

Products can be altered to suit custom requirements. Please contact Vigortronix for your specific requirements.
 The information contained in this document is subject to change without notice.