

Features

- Universal Input 90~264V AC
- Direct UK Fixed Plugtop Adapters
- Approved to CE, RoHS
- Safety standards to IEC/EN 60950-1
- Single Output 12V DC
- OVP, OCP, OTP, SCP



Ideal Power's 15DYS612-xyW-3 12W AC/DC External Adapter Plugtop Power Supply (PSU) Series are certified to CE, RoHS & IEC 60950-1/EN 60950-1 Standards and comply with (EU) 2019/1782, Level VI Efficiency Regulations. These are primarily used in ITE, Audio & Video Industries and customised solutions are available upon request.

Models

Model Number	Output Voltage	Output Current	Output Power	Efficiency
15DYS612-120100W-3	12V DC	1A	12W	82.96%

Input Data

	Min	Typical	Max	Units	Notes
Input Voltage	90	--	264	V AC	100-240VAC +/- 10%
Input Frequency	47	--	63	Hz	60Hz/50Hz Nominal
Input Current	--	0.4	--	A	at 100-240Vac input & Full load
Inrush Current	--	60	--	A	at 100-240Vac input and Max load for a cold start at 25°C
Leakage Current	--	--	0.25	mA	at 264Vac / 50Hz

Output Data

	Min	Typical	Max	Units	Notes
Output Current Range	0.0	--	0.5	A	
Output Voltage Range	11.4	--	12.6	V	
Ripple & Noise	--	--	150	mVpp	
Over Current Protection	Typically, 115-135% of Rated Current				
Short Circuit Protection	Continuous short circuit proof. Will recover if fault condition is removed				
Over Voltage Protection	Will recover if fault condition is removed				

Environmental Data

	Min	Typical	Max	Units	Notes
Operating Temperature	0	--	+40	°C	
Storage Temperature	-20	--	+80	°C	
Operating Humidity	10	--	90	%	non condensing
Relative Humidity	5	--	95	%	non condensing

Other Information

	Notes
Dielectric Strength	Primary to Secondary: 4242VDC / 5mA Max / 60second(3 seconds for mass production)
MTBF	50,000 hrs at 25°C
Weight	78g
Dimensions	71.8 x 50 x 60.9mm
Output Cord	24AWG UL2468, 1.5M Black
Output Connector	Output Connector: Lead O/P~OD: 2.1mm, ID: 5.5m, Length: 12.0mm (H).

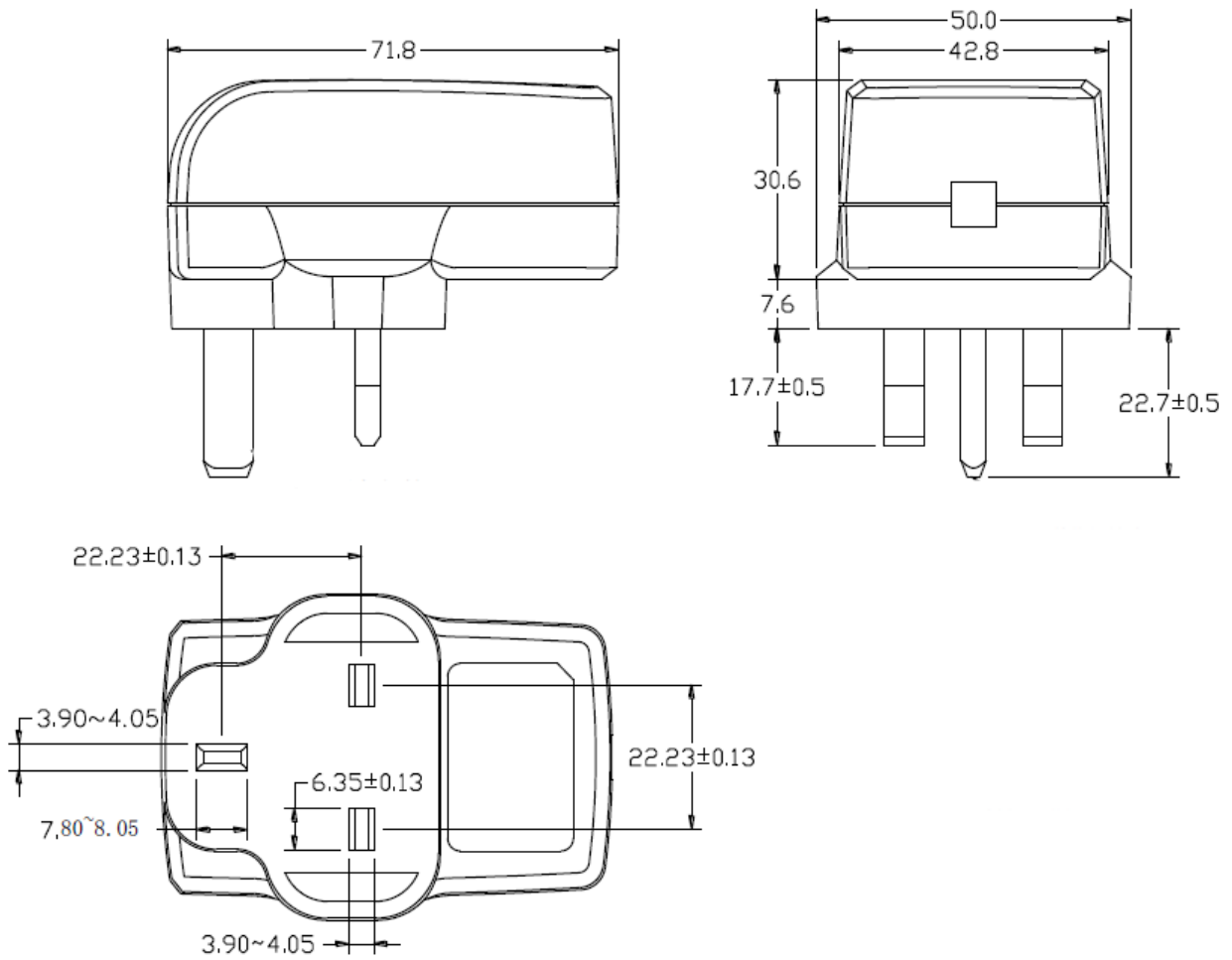
Safety Approvals

	Safety Standards
Safety Standards	EN 60950
Approvals	CE, RoHS

EMS Standards

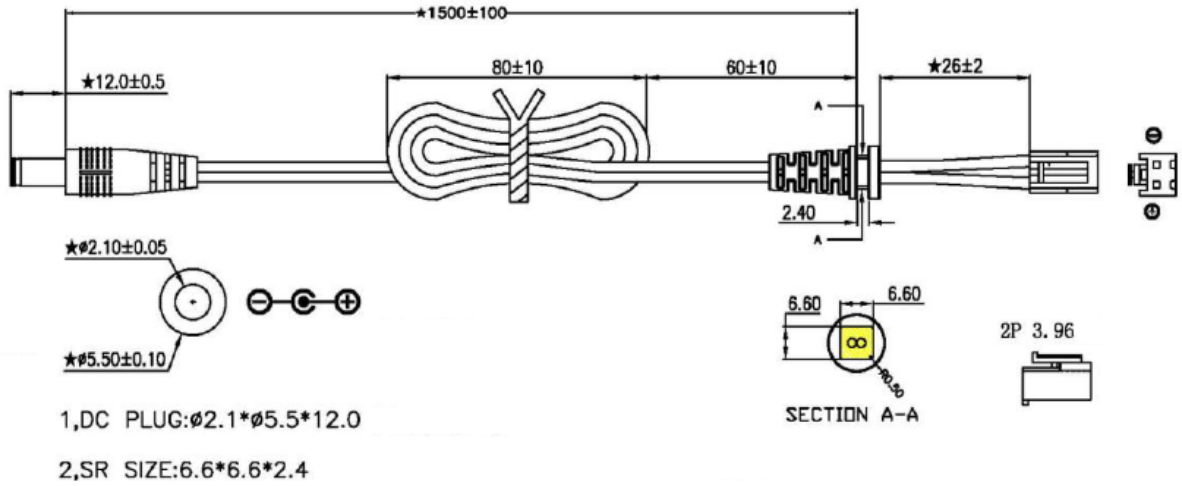
	Test Level	Test Criteria
ESD	IEC61000-4-2, Air discharge +/-8KV, Contact discharge +/-4KV	Pass B
EFT	IEC61000-4-4, AC-Input 0.5KV/1KV	Pass A/B
Surge Voltage	IEC61000-4-5 Differential mode +/-1KV. Common mode +/-2KV	Pass A

Mechanical Drawing

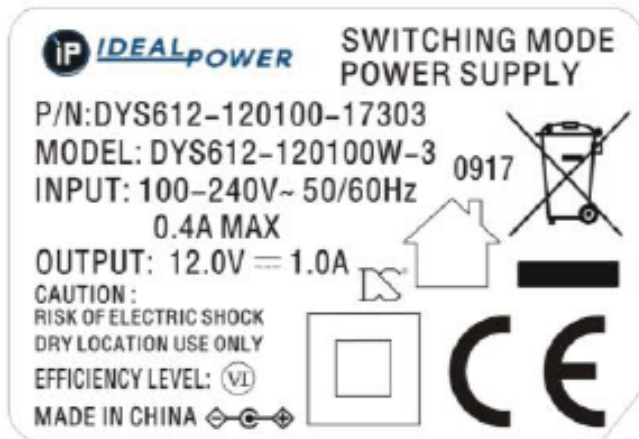


AC – DC

Cord Drawing



Label



AC - DC