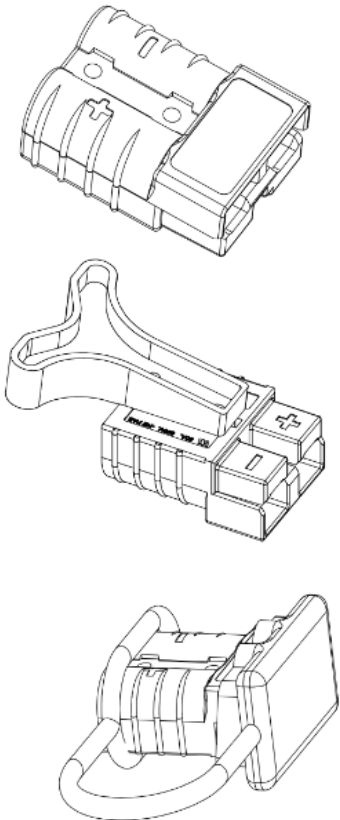


Datasheet

Item no. 1570617 1570747 1571088 1571089 1571090
 1571091 1571092 1571628

V1_08292018_01_en

50Amp 2 poles Power Connectors



FEATURES & BENEFITS

- Genderless Housings
Provide simplified assembly and minimize the number of components
- Low Resistance Connection
Silver or tin plated copper contacts inside housings that strongly force the contacts together
- Hot Plugging AC or DC
Contacts feature a sacrificial tip that allows high current circuit interrupt
- Keyed & Color Coded Housings
Prevents accidental cross mating of circuits
- Self Securing Design
Stainless steel springs create a robust force between the contacts that holds the connector in the mated position
- Auxiliary or Ground Positions
For signal transmission or the added safety of a primate ground position

Rated Current(Amperes):	50A
Rated Voltage(Voltage) :	50V dc max.
Contact Barrel Wire Size(AWG) :	6 /10 /12AWG (13.3mm ² -5.3/3.3mm ²)
Average Contact Resistance :	0.05MΩ
Voltage Proof :	2200V(DC)
Insulation Resistance :	500MΩ
A. No Load (Contact/Disconnect Cycles)	To10,000
B. Under Load (Hot Plug 250 Cycles@120V)	50A
Average Unmating Force :	53N
Flammability Rating of Housing Material :	UL94 V-0
Operating Temperature Range :	-20°to 125°
Contact Material :	Copper\Plating Silver

Datasheet

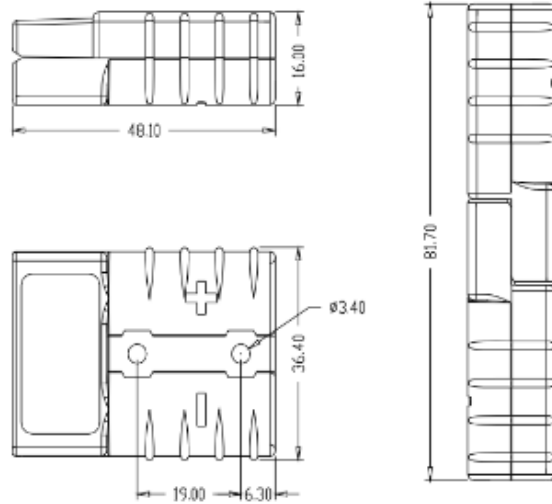
Item no. 1570617 1570747 1571088 1571089 1571090
 1571091 1571092 1571628

V1_08292018_01_en

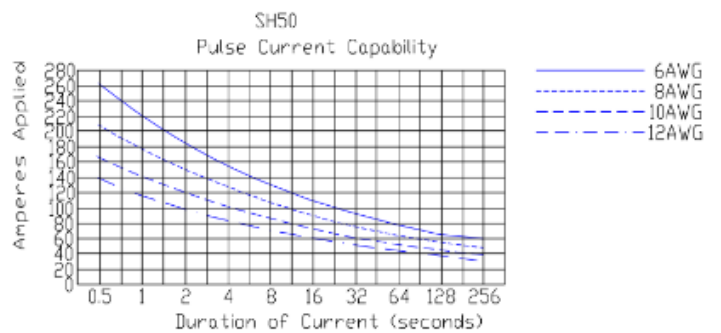
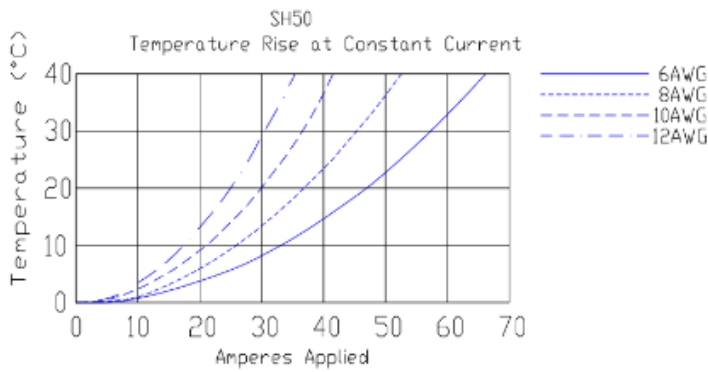
Housings

Item No.	Color	Voltage
1570617	Red	24V
1570747	Black	50V
1571088	Blue	48V
1571089	Grey	36V
1571090	Green	50V
1571091	Orange	18V
1571092	Yellow	12V

NOTE: Black and Grey housings have the same keying features and can be connect.



Temperature rise charts



Datasheet

Item no. 1570617 1570747 1571088 1571089 1571090
 1571091 1571092 1571628

V1_08292018_01_en

Dust Cover

Item No.	A (mm)	B (mm)	C (mm)	Color
1571628	46.5	51.6	27.9	Red

