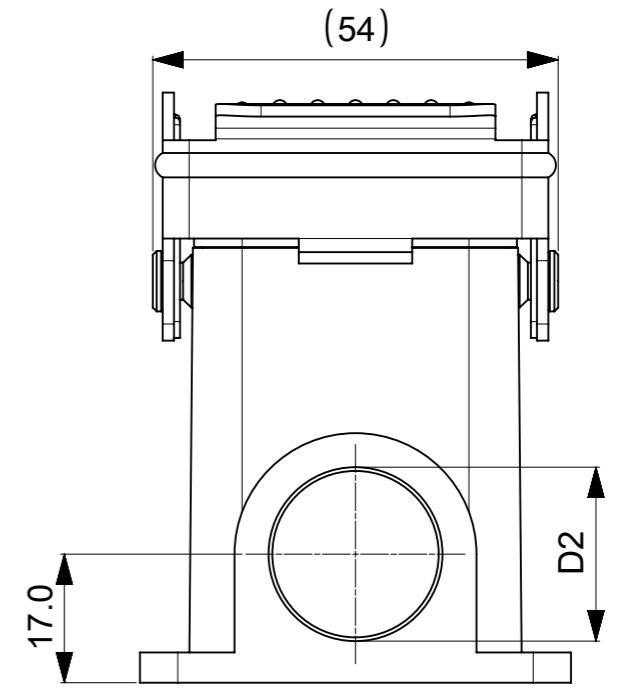
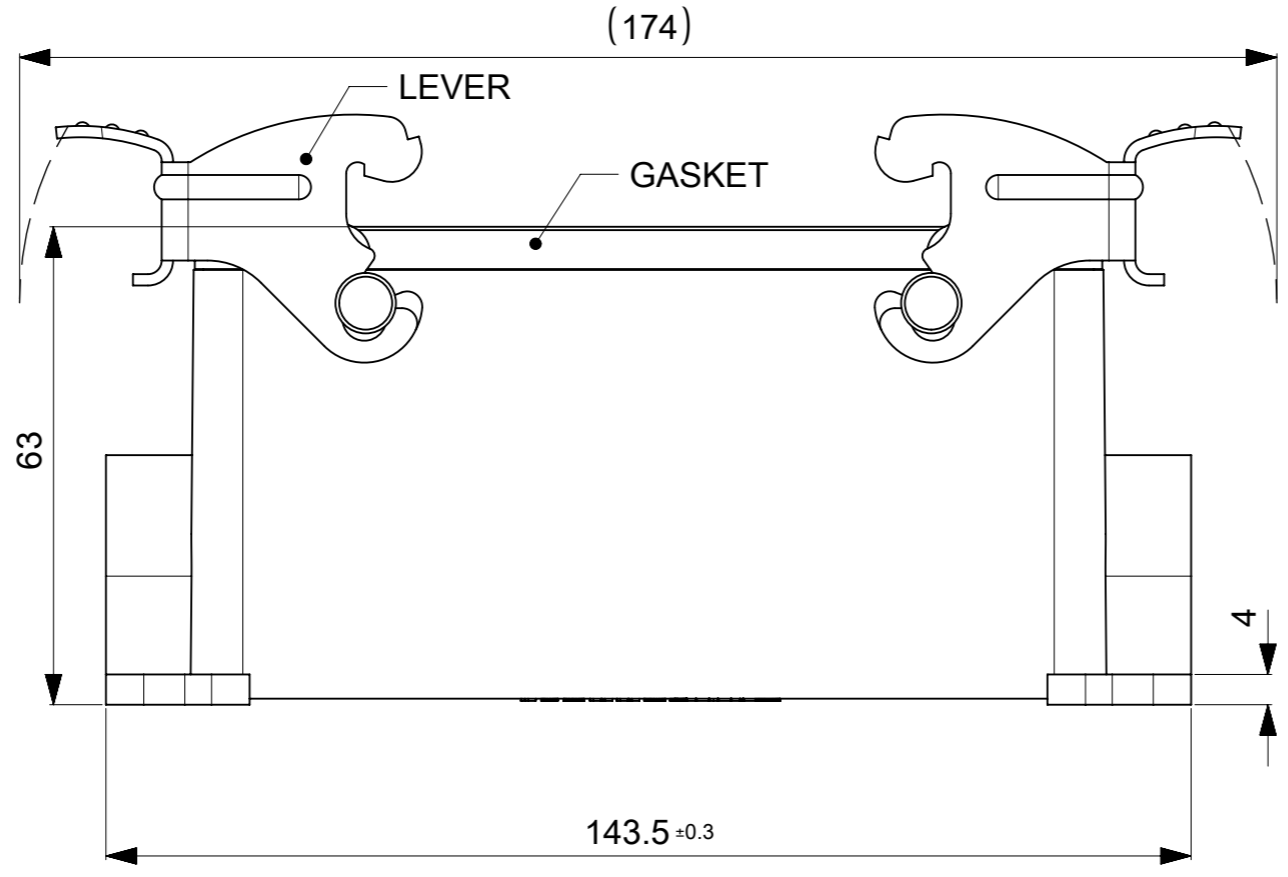
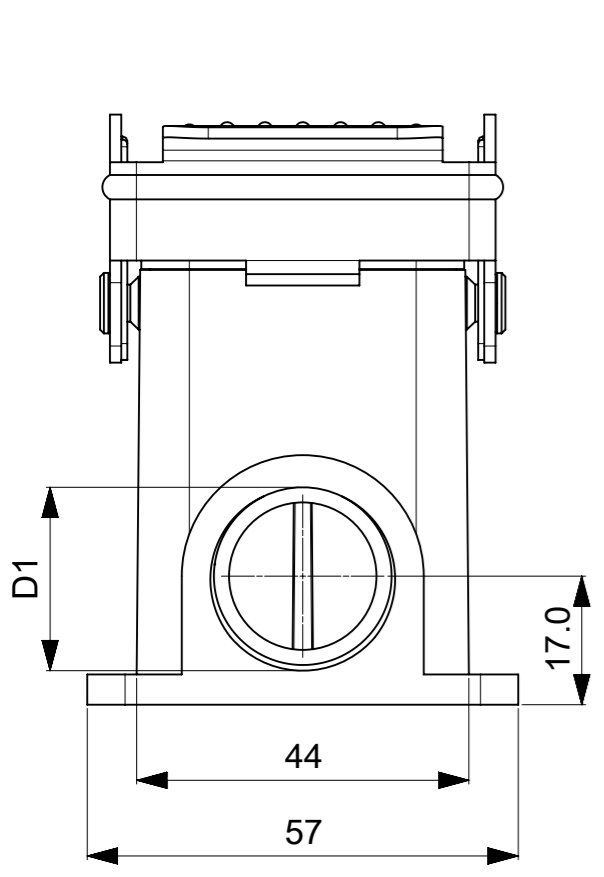
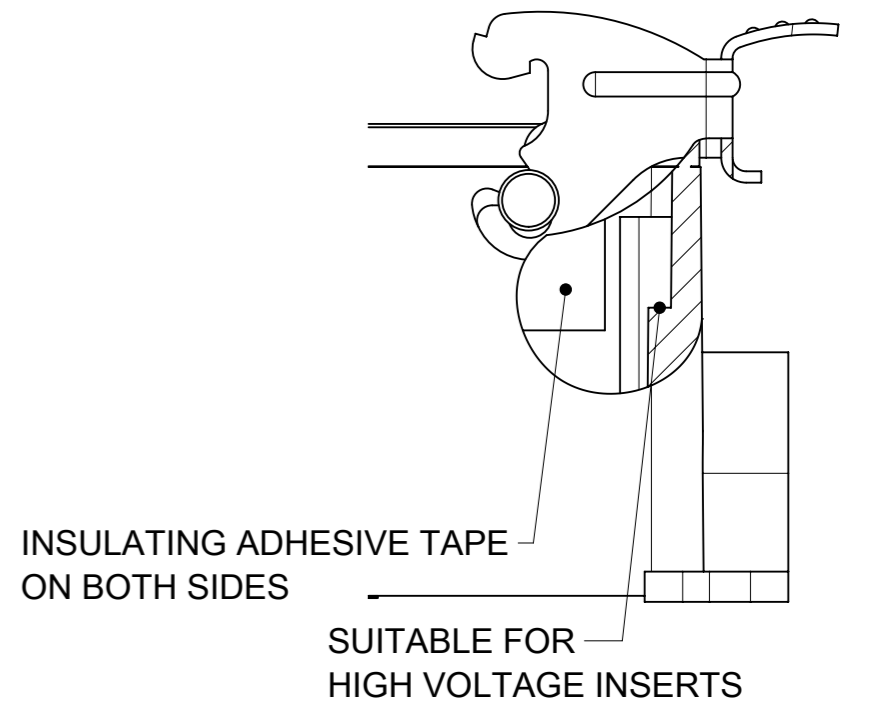
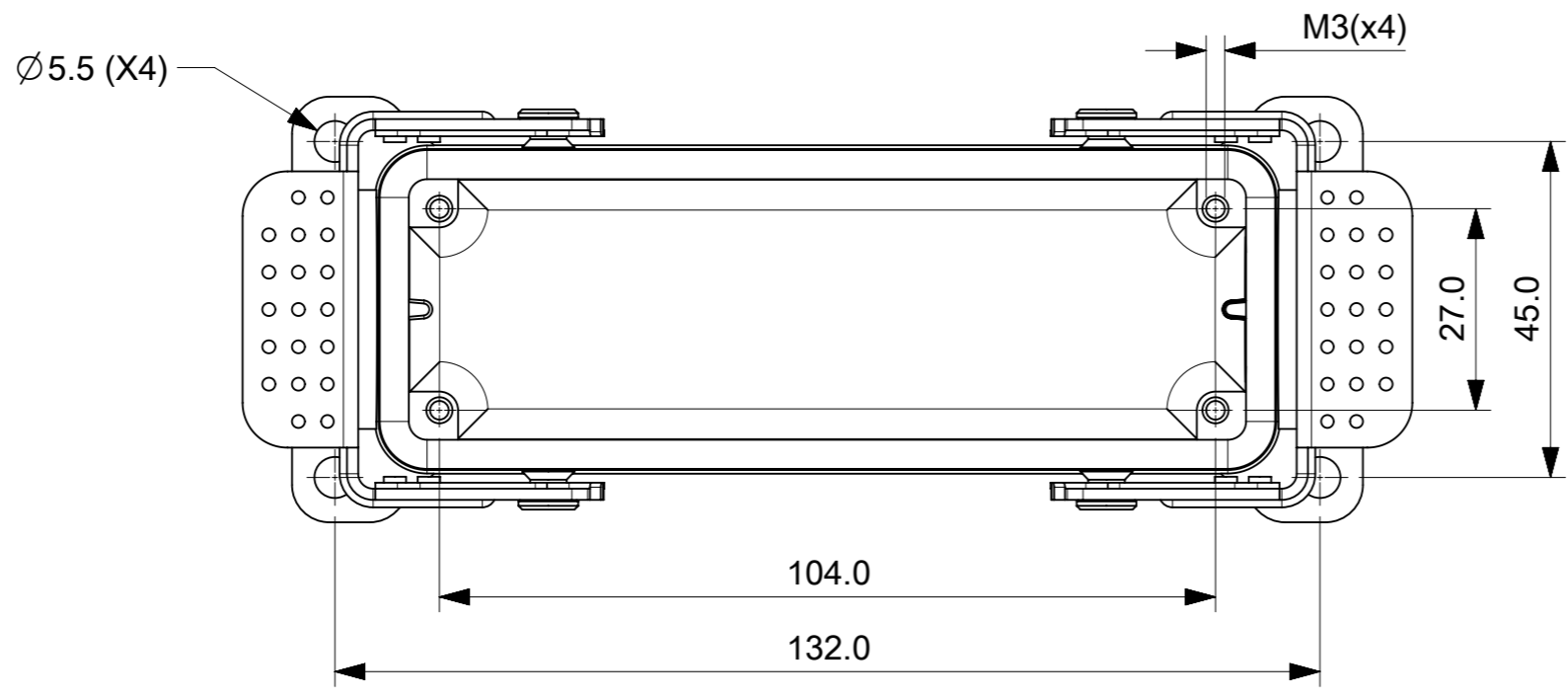


# STANDARD VERSION



# HIGH VOLTAGE VERSION



THIS DRAWING CONTAINS INFORMATION THAT IS PROPRIETARY TO MOLEX ELECTRONIC TECHNOLOGIES, LLC AND SHOULD NOT BE USED WITHOUT WRITTEN PERMISSION									
DIMENSION UNITS		SCALE		CURRENT REV DESC:				<b>molex</b>	
mm		1:1							
GENERAL TOLERANCES (UNLESS SPECIFIED)									
ANGULAR TOL ± 0.1°									
4 PLACES ±									
3 PLACES ±									
2 PLACES ±									
1 PLACE ± 0.1									
0 PLACES ± 0.3									
DRAFT WHERE APPLICABLE MUST REMAIN WITHIN DIMENSIONS		FIRST ANGLE PROJECTION		DRAWING		SERIES		MATERIAL NUMBER	
				A3-SIZE		93601		SEE TABLE 1	
EC NO: 659372				DRWN: DMERONI		2019/07/30		936013522	
CHK'D: DMERONI				APPR: MBIZZOZERO		2021/03/27			
INITIAL REVISION:				DRWN: DMERONI		2019/07/30		DOCUMENT NUMBER	
APPR: MBIZZOZERO				APPR: MBIZZOZERO		2021/03/27		DOC TYPE	
								DOC PART	
								REVISION	
								A	
CUSTOMER				GENERAL MARKET		SHEET NUMBER		1 OF 2	

TABLE 1	PRODUCTS TABLE			
MATERIAL No.	Eng.No.	TYPE	D1	D2
0936013522	7824.6376.0	STD	M25x1.5	-
0936013527	7824.6377.0		M25x1.5	M25x1.5
0936013500	7824.6326.0		Pg21	-
0936013505	7824.6327.0		Pg21	Pg21
0936013524	7824.6376.2	STD-HV	M25x1.5	-
0936013529	7824.6377.2		M25x1.5	M25x1.5
0936013502	7824.6326.2		Pg21	-
0936013507	7824.6327.2		Pg21	Pg21
0936013523	7824.6376.1	HE	M25x1.5	-
0936013528	7824.6377.1		M25x1.5	M25x1.5
0936013501	7824.6326.1		Pg21	-
0936013506	7824.6327.1		Pg21	Pg21
0936013525	7824.6376.3	HE-HV	M25x1.5	-
0936013530	7824.6377.3		M25x1.5	M25x1.5
0936013503	7824.6326.3		Pg21	-
0936013508	7824.6327.3		Pg21	Pg21
0936013526	7824.6376.4	EMC	M25x1.5	-
0936013531	7824.6377.4		M25	M25x1.5
0936013504	7824.6326.4		Pg21	-
0936013509	7824.6327.4		Pg21	Pg21

TABLE 2	PRODUCTS VERSION	
TYPE	DESCRIPTION	COLOR
STD	Standard version	Grey RAL 7037
STD-HV	Standard version for High Voltage inserts	
HE	Hars Enviromental version	Black RAL 9005
HE-HV	Hars Enviromental version for High Voltage inserts	
EMC	Electromagnetic compatibility version	Aluminum

THIS DRAWING CONTAINS INFORMATION THAT IS PROPRIETARY TO MOLEX ELECTRONIC TECHNOLOGIES, LLC AND SHOULD NOT BE USED WITHOUT WRITTEN PERMISSION									
DIMENSION UNITS	SCALE	CURRENT REV DESC:			<b>molex</b>				
mm	1:1								
GENERAL TOLERANCES (UNLESS SPECIFIED)		EC NO: 659372			24B SURFACE HOUSING 2 LEVERS SERIES				
ANGULAR TOL ± 0.1°		DRWN: DMERONI 2019/07/30			PRODUCT CUSTOMER DRAWING				
4 PLACES ±	CHK'D: DMERONI 2021/03/19			DOCUMENT NUMBER					
3 PLACES ±	APPR: MBIZZOZERO 2021/03/27			936013522					
2 PLACES ±	INITIAL REVISION:			DOC TYPE		DOC PART		REVISION	
1 PLACE ± 0.1	DRWN: DMERONI 2019/07/30			PSD		000		A	
0 PLACES ± 0.3	APPR: MBIZZOZERO 2021/03/27			MATERIAL NUMBER		CUSTOMER		SHEET NUMBER	
DRAFT WHERE APPLICABLE MUST REMAIN WITHIN DIMENSIONS		FIRST ANGLE PROJECTION	DRAWING	SERIES	SEE TABLE 1		GENERAL MARKET		2 OF 2
			A3-SIZE	93601					