

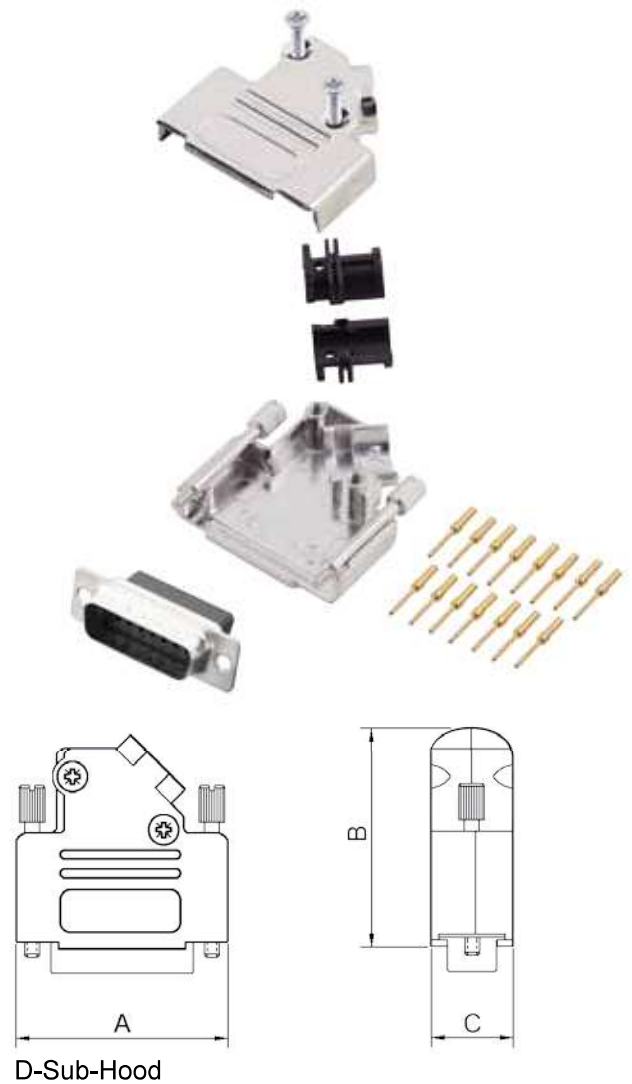
TECHNICAL SPECIFICATIONS

D-Sub Hood:

Material: Zinc, Nickel Plated
 Operating Temperature: -40°C to +120°C
 Cable Entry: 45° Side Entry
 Thumbscrews: UNC 4-40 (Standard)
 Cable O.D.: Up to 11,5mm (Size 9-37)
 Up to 17mm (Size 50)

D-Sub Crimp:

Insulator: PBT, Black, UL94 V-0
 Shell: Stamped Steel, Tin Plated
 Contact pins: Copper Alloy
 Machined pins Class 2: 200 inserts min
 Contacts Plating: Hard Gold over Nickel
 Operating Temperature: -55°C to +125°C
 Test voltage: 1000V
 Insulator resistance: <5GΩ
 Crimp Area (AWG): AWG 24-20
 0.2 - 0.6mm²



Features:

- Available in sizes 9-15-25-37
- Excellent EMI Shielding
- Re-openable
- Strain relief inserts ensure a secure termination

Size D45ZK	Dim A	Dim B	Dim C
9-way	31,0	36,3	14,5
15-way	39,5	40,3	14,5
25-way	53,2	40,3	14,5
37-way	69,7	40,3	14,5

Ordering information:

D-Sub Connector Kits (100 inserts min.)

Size:	P/N - Kitted:	Product Code - MALE Conn. Kit
9-way	6355-0051-01	D45ZK09-DBCP-K
15-way	6355-0051-02	D45ZK15-DBCP-K
25-way	6355-0051-03	D45ZK25-DBCP-K
37-way	6355-0051-04	D45ZK37-DBCP-K

Size:	P/N - Kitted:	Product Code - FEMALE Conn. Kit
9-way	6355-0051-11	D45ZK09-DBCS-K
15-way	6355-0051-12	D45ZK15-DBCS-K
25-way	6355-0051-13	D45ZK25-DBCS-K
37-way	6355-0051-14	D45ZK37-DBCS-K