



MATERIAL

Aluminium.



STANDARD EXECUTIONS

- **SQMA-B-MT**: natural aluminium, matte finish.
- **SQMA-B-SW**: aluminium, epoxy resin coating, RAL 9005 black colour, matte finish.
- **SQMA-B-SR**: aluminium, epoxy resin coating, RAL 9006 grey colour, matte finish.



CLOSING CAP

Glass-fibre reinforced polyamide based (PA) technopolymer, black colour, matte finish.



SCREWS, NUTS AND WASHERS.

Zinc-plated steel.



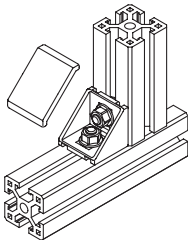
FEATURES AND APPLICATIONS

SQMA. fixing angles are particularly suitable for the assembly, in a very easy way, of structures made out of aluminium profiles (dimensions 30/40/45 mm) for safety protections of machines and equipment.



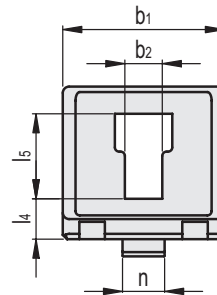
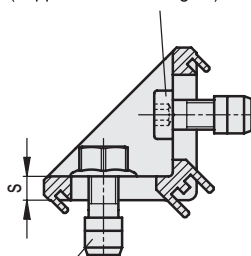
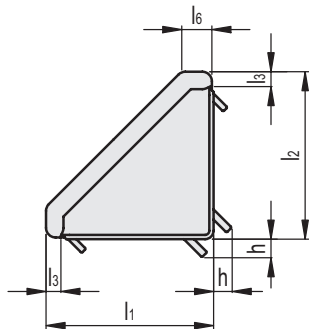
SPECIAL EXECUTIONS ON REQUEST

Angles without cover, screws, nuts and fixing inserts (SQMA-A).



SQMA-30

For assembly set for slot width 8 mm:
2 Dowels for T-slots GN 505
2 Screws with hexagon socket
(supplied with the angles)



SQMA-40/45

For assembly set for slot width 10 mm:
2 Dowels for T-slots GN 505.4
2 Flanged nuts
(supplied with the angles)

Code	Description	h	l1	l2	l3	l4	l5	l6	n	b1	b2	s	⚖️
156001	SQMA-30-8-30-30-B-MT	2.1	30	30	3	9.7	10.4	6.8	8	28	6.3	5.9	23
156003	SQMA-30-8-30-30-B-SW	2.1	30	30	3	9.7	10.4	6.8	8	28	6.3	5.9	23
156002	SQMA-30-8-30-30-B-SR	2.1	30	30	3	9.7	10.4	6.8	8	28	6.3	5.9	23
156011	SQMA-40-10-40-40-B-MT	4.1	40	40	4	9.5	20	7.2	10	38	8.5	5.6	37
156013	SQMA-40-10-40-40-B-SW	4.1	40	40	4	9.5	20	7.2	10	38	8.5	5.6	37
156012	SQMA-40-10-40-40-B-SR	4.1	40	40	4	9.5	20	7.2	10	38	8.5	5.6	37
156021	SQMA-45-10-45-45-B-MT	4.1	45	45	4	15.7	18.7	11.5	10	43	8.5	9.7	49
156023	SQMA-45-10-45-45-B-SW	4.1	45	45	4	15.7	18.7	11.5	10	43	8.5	9.7	49
156022	SQMA-45-10-45-45-B-SR	4.1	45	45	4	15.7	18.7	11.5	10	43	8.5	9.7	49