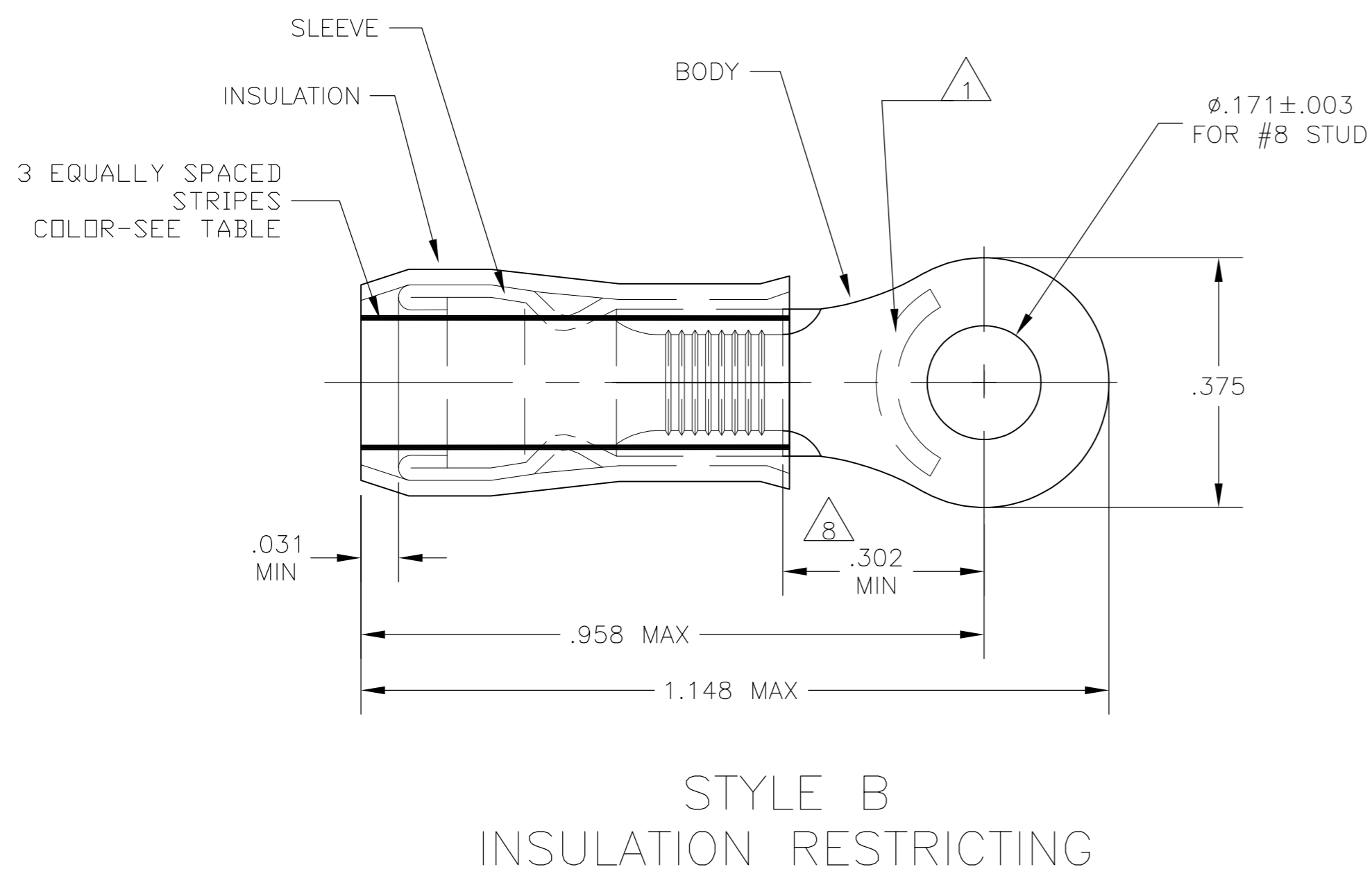
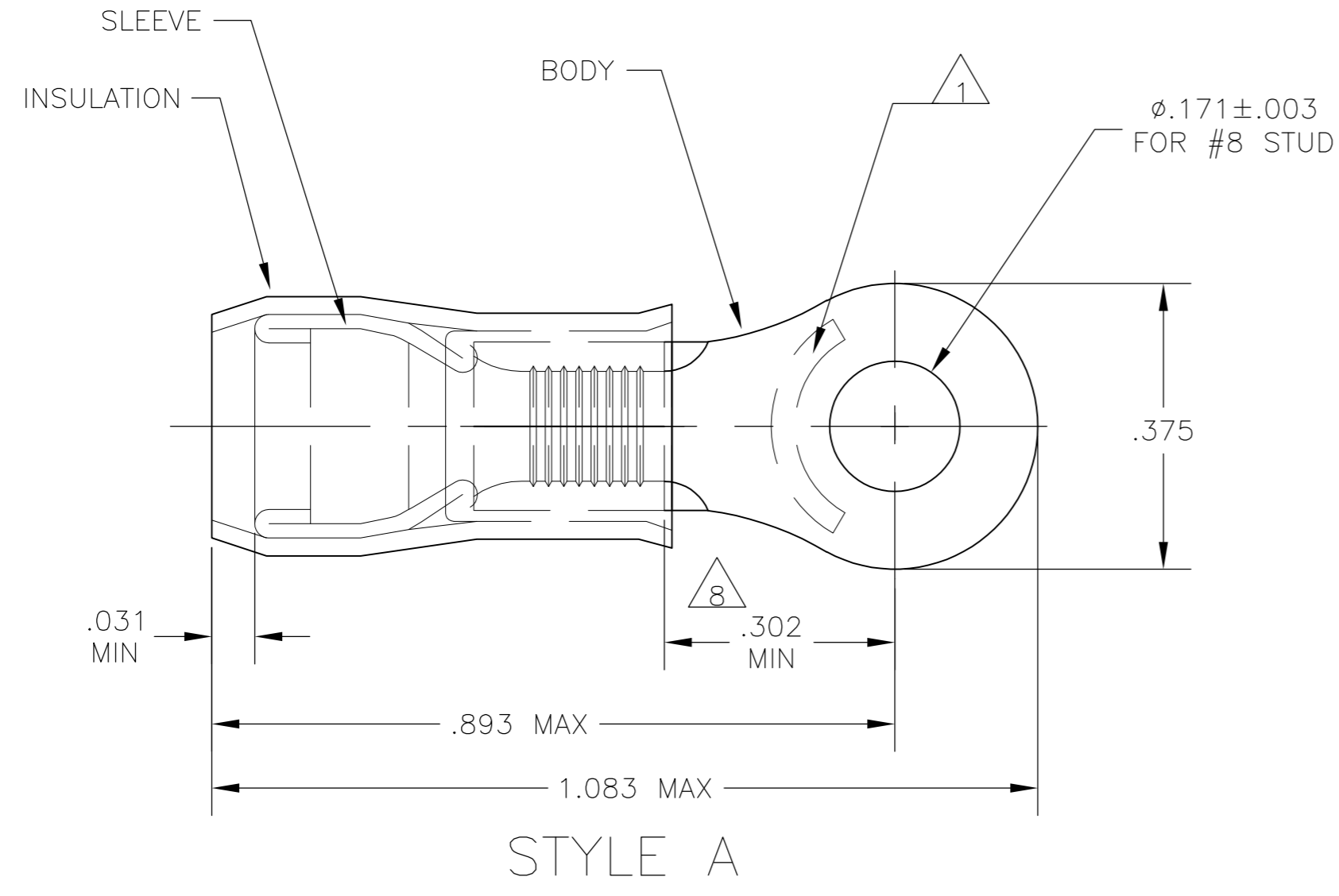


THIS DRAWING IS UNPUBLISHED. RELEASED FOR PUBLICATION  
 © COPYRIGHT - By - ALL RIGHTS RESERVED.

Loc	DIST	REVISIONS					
		P	LTR	DESCRIPTION	DATE	DWN	APVD
G	14		T7	REVISED PER ECO-12-002693	13FEB12	KH	DR



- 1 STAMP "AMP - SEE TABLE" APPROX AS SHOWN
- 2 WIRE INSULATION DIA: SEE TABLE
- 3 TONGUE MATERIAL THK: .040±.002
- 4 BODY: TIN PLATE .000100 MIN EXT THK PER ASTM B545
- 5 SLEEVE: TIN PLATE .000100 MIN EXT THK PER ASTM B545
- 6 SLEEVE: NICKEL PLATE PER QQ-N-290
- 7 BODY & SLEEVE- CU PER ASTM B152  
INSULATION - NYLON PER ASTM D4066  
COLOR - YELLOW
- 8 APPLIES FROM EDGE OF METAL WIRE BARREL TO CENTER OF STUD HOLE.
- 9 MEETS MS25036-156, CLASS 1 & 2
- 10 MEETS MS25036-156, CLASS 2
- 11 MEETS M7928/1-57, CLASS 1 & 2
- 12 MEETS M7928/1-64, CLASS 1 & 2
- 13 SUPERSEDED BY 2-320568-3

QTY	PACKAGE TYPE	STAMPING	WIRE INSUL DIA	WIRE SIZE	STRIPE COLOR	STYLE	BODY FINISH	SLEEVE FINISH	PART NO
50	LOOSE PIECE, BOX	10	.115-.200	10	BROWN	B		6	9-320568-2
50	LOOSE PIECE, BOX	12	.095-.200	12	YELLOW	B		6	8-320568-2
50	LOOSE PIECE, BOX	12-10	.150-.230	12-10	--	A		5	7-320568-2
500	ON TAPE, LG. BOX	12-10	.150-.230	12-10	--	A		5	2-320568-6
---	LOOSE PIECE	10	.119-.200	10	BROWN	B	4	6, 12	2-320568-3
---	LOOSE PIECE	12	.095-.200	12	YELLOW	B		6, 11	2-320568-2
2500	ON TAPE & REEL	12-10	.150-.230	12-10	--	A		5, 10	2-320568-1
---	LOOSE PIECE	12-10	.150-.230	12-10	--	A		5, 9	320568

<b>CUSTOMER SERVICE SYSTEMS</b> FOR ADDITIONAL PRODUCT INFORMATION OR COPIES OF DRAWINGS AND TECHNICAL DOCUMENTS: PRODUCT INFORMATION CENTER 1-800-522-6752 FOR APPLICATION TOOLING INFORMATION: TOOLING ASSISTANCE CENTER 1-800-722-1111 FOR ORDER ENTRY: 1-800-526-5142		MAX RECOMMENDED OPERATING TEMPERATURE: 105°C MAX VOLTAGE RATING: 300 VOLT MAX CIRCULAR MIL AREA: 2.62-6.64mm² [5,180-13,100] STRANDED OR SOLID	THIS DRAWING IS A CONTROLLED DOCUMENT. DIMENSIONS: INCHES TOLERANCES UNLESS OTHERWISE SPECIFIED: 0 PLC ± - 1 PLC ± - 2 PLC ± - 3 PLC ± .008 4 PLC ± - ANGLES ± -	DWN: JR RUTH 17DEC09 CHK: T MICHIELUTTI 17DEC09 APVD: T MICHIELUTTI 17DEC09 PRODUCT SPEC: - APPLICATION SPEC: - WEIGHT: - CUSTOMER DRAWING	<b>TE Connectivity</b> NAME: TERMINAL, RING TONGUE, PIDG WIRE SIZE: 12-10 AWG SIZE: A2 CAGE CODE: 00779 DRAWING NO: C-320568 RESTRICTED TO: - SCALE: 5:1 SHEET: 1 of 1 REV: T7
--	--	--	--	--	---