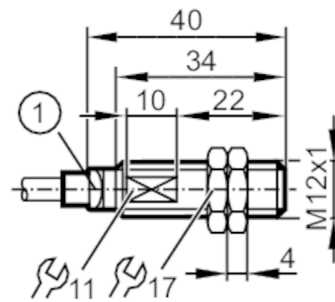


# IFS702



## Inductive sensor

IFB3004BBNKG/2M/PUR



1 LED yellow



### Product characteristics

Electrical design		NPN
Output function		normally closed
Sensing range	[mm]	4
Housing		threaded type
Dimensions	[mm]	M12 x 1 / L = 40

### Application

Special feature		Increased sensing range
Application		Industrial applications / factory automation

### Electrical data

Operating voltage	[V]	10...30 DC
Current consumption	[mA]	< 10
Protection class		III
Reverse polarity protection		yes

### Outputs

Electrical design		NPN
Output function		normally closed
Max. voltage drop switching output DC	[V]	2.5
Permanent current rating of switching output DC	[mA]	100
Switching frequency DC	[Hz]	700
Short-circuit protection		yes
Overload protection		yes

### Detection zone

Sensing range	[mm]	4
Real sensing range $S_r$	[mm]	$4 \pm 10\%$
Operating distance	[mm]	0...3.24
Increased sensing range		yes

# IFS702



## Inductive sensor

IFB3004BBNKG/2M/PUR

Accuracy / deviations		
Correction factor	steel: 1 / stainless steel: 0.7 / brass: 0.5 / aluminium: 0.4 / copper: 0.3	
Hysteresis [% of Sr]	3...15	
Switch point drift [% of Sr]	-10...10	
Operating conditions		
Ambient temperature [°C]	-40...85	
Protection	IP 65; IP 66; IP 67; IP 68; IP 69K	
Tests / approvals		
EMC	EN 61000-4-2 ESD	4 kV CD / 8 kV AD
	EN 61000-4-3 HF radiated	10 V/m
	EN 61000-4-4 Burst	2 kV
	EN 61000-4-6 HF conducted	10 V
	EN 55011	class B
Vibration resistance	EN 60068-2-6 Fc	20 g (10...3000 Hz) / 50 sweep cycles per frequency; 1 octave per minute in 3 axes
Shock resistance	EN 60068-2-27 Ea	100 g 11 ms half-sine; 3 shocks each in every direction of the 3 coordinate axes
Continuous shock resistance	EN 60068-2-27	40 g 6 ms; 4000 shocks each in every direction of the 3 coordinate axes
Fast temperature change	EN 60068-2-14 Na	TA = -40 °C; TB = 85 °C; t1 = 30 min; t2 = < 10 s; 50 cycles
Salt spray test	EN 60068-2-52 Kb	severity level 5 (4 test cycles)
MTTF [years]	808	
UL approval	Ta	-25...75 °C
	Enclosure type	Type 1
	voltage supply	Limited Voltage/Current
	UL Approval no.	A002
	File number UL	E174191
Mechanical data		
Weight [g]	76.3	
Housing	threaded type	
Mounting	flush mountable	
Dimensions [mm]	M12 x 1 / L = 40	
Thread designation	M12 x 1	
Materials	brass white bronze coated; sensing face: PBT orange; LED window: PEI; lock nuts: brass white bronze coated	
Displays / operating elements		
Display	switching status	1 x LED, yellow
Accessories		
Accessories (supplied)	lock nuts: 2 Tooth lock washer: 1, galvanised spring steel	
Remarks		
Pack quantity	1 pcs.	

# IFS702



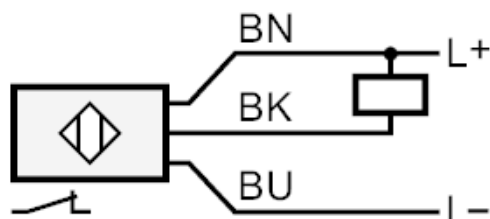
## Inductive sensor

IFB3004BBNKG/2M/PUR

### Electrical connection

Cable: 2 m, PUR, Ø 4 mm; burning behaviour to ECE R118 rev. 2; 3 x 0.34 mm<sup>2</sup>

### Connection



Core colours :

BK =	black
BN =	brown
BU =	blue