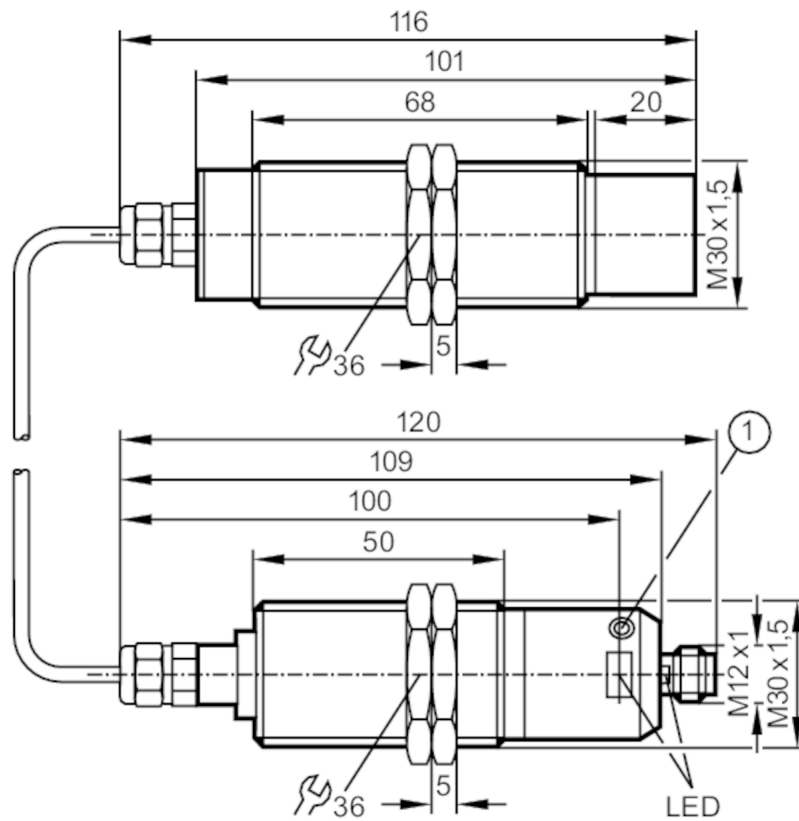


KN5121



Capacitive high-temperature sensor

KNM30-HAFPKG



1 programming button



Product characteristics

| | |
|--------------------|---|
| Electrical design | PNP |
| Output function | normally open / normally closed; (selectable) |
| Sensing range [mm] | sensing range programmable |
| Housing | threaded type |
| Dimensions [mm] | M30 x 1.5 / L = 116 |

Application

| | |
|-------------------|--------------------|
| Media | dry bulk material |
| Recommended media | plastic granulates |

Electrical data

| | |
|-----------------------------|--|
| Operating voltage [V] | 10...30 DC |
| Current consumption [mA] | 34; (typical: 34 (24 V); maximum: 39 (30 V)) |
| Protection class | III |
| Reverse polarity protection | yes |

KN5121



Capacitive high-temperature sensor

KNM30-HAFPKG

| Outputs | | |
|--|---|-----------------|
| Electrical design | PNP | |
| Output function | normally open / normally closed; (selectable) | |
| Max. voltage drop switching output DC [V] | 2.5 | |
| Max. voltage drop of function check output [V] | 3.5 | |
| Max. current load for function check output [mA] | 10 | |
| Permanent current rating of switching output DC [mA] | 200 | |
| Switching frequency DC [Hz] | 10 | |
| Short-circuit protection | yes | |
| Type of short-circuit protection | pulsed | |
| Overload protection | yes | |
| Detection zone | | |
| Sensing range [mm] | sensing range programmable | |
| Sensing range adjustable | yes | |
| Operating conditions | | |
| Ambient temperature [°C] | -15...230 | |
| Note on ambient temperature | sensor: -15...230 °C | |
| | briefly: ...250 °C (4 h) | |
| | HF connection cable: -25...200 °C | |
| | electronics: -25...70 °C | |
| Protection | IP 67 | |
| Tests / approvals | | |
| EMC | EN 60947-5-2 | |
| MTTF [years] | 347 | |
| Mechanical data | | |
| Weight [g] | 458.5 | |
| Housing | threaded type | |
| Mounting | non-flush mountable | |
| Dimensions [mm] | M30 x 1.5 / L = 116 | |
| Thread designation | M30 x 1.5 | |
| Materials | housing sensor: PPS; brass white bronze coated; housing electronic: PBT; PP; brass white bronze coated | |
| Displays / operating elements | | |
| Display | switching status | 2 x LED, yellow |
| | operation | 1 x LED, green |
| | error | 1 x LED, red |
| Accessories | | |
| Accessories (supplied) | lock nuts: 2 | |
| Remarks | | |
| Pack quantity | 1 pcs. | |

KN5121



Capacitive high-temperature sensor

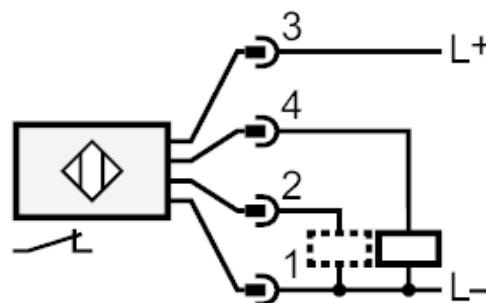
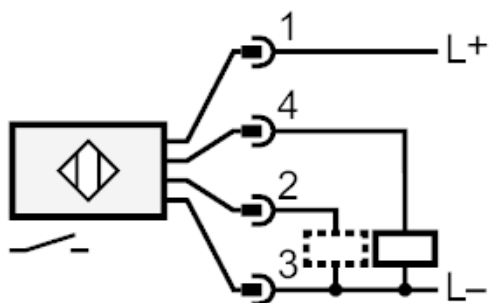
KNM30-HAFPKG

Electrical connection - HF connection cable

Cable: 2 m

Electrical connection - plug

Connector: 1 x M12



2: Function check output programming wire