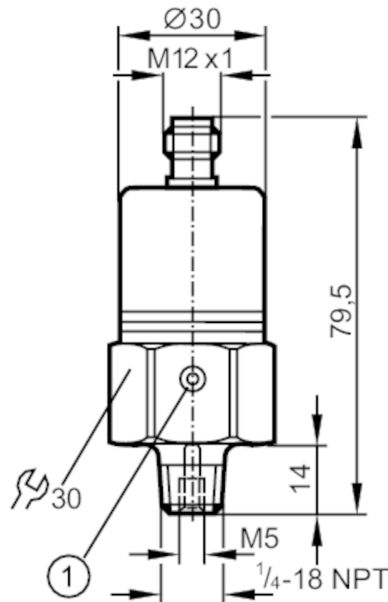




## Pressure transmitter with ceramic measuring cell

PA-050PRBN14-A-ZVG/US/ IV



1 ventilation



### Product characteristics

Output signal	analogue signal
Measuring range [psi]	0...500
Process connection	threaded connection 1/4 NPT external thread internal thread M5

### Application

Special feature	Gold-plated contacts
Application	for industrial applications
Media	liquids and gases
Conditionally suitable for	use in gases at pressures > 25 bar only on request
Medium temperature [°C]	-25...90
Pressure rating [psi]	2175
Min. bursting pressure [psi]	5075
Type of pressure	relative pressure

### Electrical data

Operating voltage [V]	9.6...32 DC
Min. insulation resistance [MΩ]	100; (500 V DC)
Protection class	III
Reverse polarity protection	yes

### Inputs / outputs

Number of inputs and outputs	Number of analogue outputs: 1
------------------------------	-------------------------------



## Pressure transmitter with ceramic measuring cell

PA-050PRBN14-A-ZVG/US/ IV

Outputs		
Total number of outputs	1	
Output signal	analogue signal	
Number of analogue outputs	1	
Analogue current output [mA]	4...20	
Max. load [ $\Omega$ ]	720; ( $U_b = 24\text{ V}$ ; ( $U_b - 9,6\text{ V}$ ) / 20 mA)	
Overload protection	yes	
Measuring/setting range		
Measuring range [psi]	0...500	
Accuracy / deviations		
Repeatability [% of the span]	< 0,1; (with temperature fluctuations < 10 K)	
Characteristics deviation [% of the span]	< $\pm 0,35$ (BFSL) / < $\pm 0,75$ (LS); (BFSL = Best Fit Straight Line; LS = limit value setting)	
Long-term stability [% of the span]	< $\pm 0,05$ ; (per 6 months)	
Temperature coefficient zero point [% of the span / 10 K]	0,2; (0...80 °C)	
Temperature coefficient span [% of the span / 10 K]	0,3; (0...80 °C)	
Response times		
Step response time analogue output [ms]	3	
Operating conditions		
Ambient temperature [°C]	-25...80	
Storage temperature [°C]	-40...100	
Protection	IP 65	
Tests / approvals		
EMC	EN 61000-4-2 ESD	4 kV CD / 8 kV AD
	EN 61000-4-3 HF radiated	30 V/m
	EN 61000-4-4 Burst	2 kV
	EN 61000-4-6 HF conducted	10 V
	radiation of interference	according to the automotive directive 2004/104/EC / CISPR 25
	immunity	according to the automotive directive 2004/104/EC / ISO 11452-2
	HF radiated	100 V/m
Shock resistance	pulse resistance	ISO 7637-2 / severity level 3
	DIN IEC 68-2-27	50 g (11 ms)
Vibration resistance	DIN IEC 68-2-6	20 g (10...2000 Hz)
MTTF [years]	555	
Pressure Equipment Directive	Sound engineering practice; can be used for group 2 fluids; group 1 fluids on request	

# PX3223



## Pressure transmitter with ceramic measuring cell

PA-050PRBN14-A-ZVG/US/ IV

Mechanical data	
Weight [g]	213.5
Materials	stainless steel (1.4404 / 316L); FKM; PA; EPDM/X
Materials (wetted parts)	stainless steel (1.4305 / 303); ceramics; FKM
Min. pressure cycles	100 million
Process connection	threaded connection 1/4 NPT external thread internal thread M5
Restrictor element integrated	no (can be retrofitted)

Remarks	
Pack quantity	1 pcs.

### Electrical connection

Connector: 1 x M12; Contacts: gold-plated



### Connection

