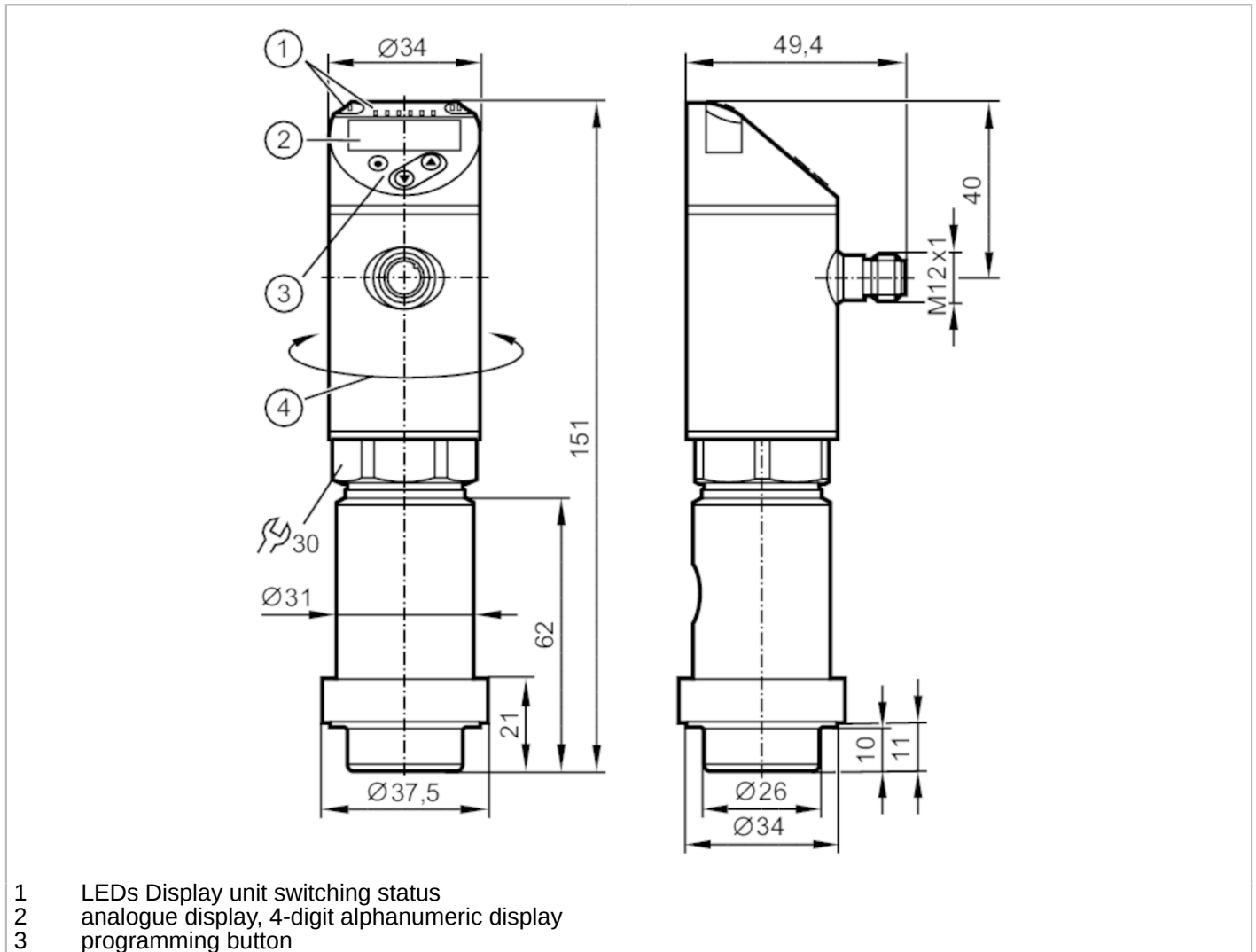


PY9060



Pressure sensor with display

PN-600-SE MFRKG/US/ /



Product characteristics			
Output signal	switching signal; analogue signal; IO-Link; (configurable)		
Measuring range	0...600 bar	0...8700 psi	0...60 MPa
Process connection	homogeniser connection		
Application			
Special feature	Gold-plated contacts		
Measuring element	diaphragm seal		
Application	food and beverage industry		
Media	liquids and gases		
Medium temperature [°C]	5...90; (< 1 h: 145)		
Pressure rating	800 bar	11580 psi	80 MPa
Min. bursting pressure	1200 bar	17400 psi	120 MPa
Vacuum resistance [mbar]	-1000		
Type of pressure	relative pressure		

PY9060



Pressure sensor with display

PN-600-SE MFRKG/JS/ /

Electrical data			
Operating voltage	[V]	18...30 DC; (according to EN 50178 SELV/PELV)	
Current consumption	[mA]	< 35	
Min. insulation resistance	[MΩ]	100; (500 V DC)	
Protection class		III	
Reverse polarity protection		yes	
Power-on delay time	[s]	0.3	
Integrated watchdog		yes	
Inputs / outputs			
Number of inputs and outputs		Number of digital outputs: 2; Number of analogue outputs: 1	
Outputs			
Total number of outputs		2	
Output signal		switching signal; analogue signal; IO-Link; (configurable)	
Electrical design		PNP/NPN	
Number of digital outputs		2	
Output function		normally open / normally closed; (parameterisable)	
Max. voltage drop switching output DC	[V]	2	
Permanent current rating of switching output DC	[mA]	250	
Switching frequency DC	[Hz]	< 500	
Number of analogue outputs		1	
Analogue current output	[mA]	4...20; (scalable 1:5)	
Max. load	[Ω]	500	
Analogue voltage output	[V]	0...10; (scalable 1:5)	
Min. load resistance	[Ω]	2000	
Short-circuit protection		yes	
Type of short-circuit protection		pulsed	
Overload protection		yes	
Measuring/setting range			
Measuring range		0...600 bar	0...8700 psi
			0...60 MPa
Set point SP		4...600 bar	60...8700 psi
			0.4...60 MPa
Reset point rP		1...597 bar	20...8660 psi
			0.1...59.7 MPa
Analogue start point		0...480 bar	0...6960 psi
			0...48 MPa
Analogue end point		120...600 bar	1740...8700 psi
			12...60 MPa
In steps of		1 bar	20 psi
			0.1 MPa
Accuracy / deviations			
Switch point accuracy		< ± 0,4; (Turn down 1:1)	
	[% of the span]		
Repeatability		< ± 0,1; (with temperature fluctuations < 10 K; Turn down 1:1)	
	[% of the span]		
Characteristics deviation		< ± 1; (linearity, incl. hysteresis and repeatability; limit value setting to DIN 16086)	
	[% of the span]		
Hysteresis deviation		< ± 0,1; (Turn down 1:1)	
	[% of the span]		
Long-term stability		< ± 0,05; (Turn down 1:1; per 6 months)	

PY9060



Pressure sensor with display

PN-600-SE MFRKG/JS/ /

	[% of the span]	
Temperature coefficient zero point	[% of the span / 10 K]	0,2; (5...80 °C)
Temperature coefficient span	[% of the span / 10 K]	0,2; (5...80 °C)

Response times

Response time	[ms]	< 1.5
Delay time programmable dS, dr	[s]	0...50
Damping for the switching output dAP	[s]	0...4
Damping for the analogue output dAA	[s]	0...4
Max. response time analogue output	[ms]	3

Software / programming

Parameter setting options	hysteresis / window; normally open / normally closed; switch-on/ switch-off delay; Damping; Display unit; current/voltage output
---------------------------	--

Interfaces

Communication interface	IO-Link
Transmission type	COM2
IO-Link revision	1.1
SDCI standard	IEC 61131-9
IO-Link device ID	458 d / 00 01 ca h
Profiles	Smart Sensor: Process Data Variable; Device Identification, Device Diagnosis
SIO mode	yes
Required master port type	A
Process data analogue	1
Process data binary	2
Min. process cycle time	[ms] 2.3

Operating conditions

Ambient temperature	[°C]	5...80
Storage temperature	[°C]	-40...100
Protection		IP 67

Tests / approvals

EMC	DIN EN 61000-6-2	
	DIN EN 61000-6-3	
Shock resistance	DIN EN 60068-2-27	50 g (11 ms)
Vibration resistance	DIN EN 60068-2-6	10 g (10...2000 Hz)
MTTF	[years]	143

PY9060



Pressure sensor with display

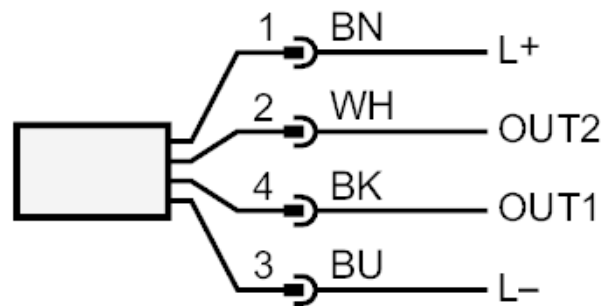
PN-600-SE MFRKG/US/ /

Mechanical data		
Weight [g]	675	
Materials	1.4542 (17-4 PH / 630); stainless steel (1.4404 / 316L); stainless steel (1.4435 / 316L); PBT+PC-GF30; PBT-GF20; PC	
Materials (wetted parts)	stainless steel (1.4435 / 316L)	
Min. pressure cycles	60 million; (at 1.2 times nominal pressure)	
Process connection	homogeniser connection	
Displays / operating elements		
Display	Display unit	3 x LED, green (bar, psi, MPa)
	switching status	2 x LED, yellow
	measured values	alphanumeric display, red/green 4-digit

Remarks	
Pack quantity	1 pcs.

Electrical connection

Connector: 1 x M12; Contacts: gold-plated



OUT1 switching output or IO-Link
 OUT2 switching output or analogue output
 colours to DIN EN 60947-5-2

Core colours :

BK = black
 BN = brown
 BU = blue
 WH = white