

PLEASE CHECK WWW.MOLEX.COM FOR LATEST PART INFORMATION

Part Number: [1300130223](#)
Status: **Active**
Overview: Brad Mini-Change Connectors
Description: Mini-Change A-Size Receptacle with Leads, 1/2" - 14 NPT Threads, Male (Straight) 3 Poles, 1.0m (3.28') Length

Documents:

[Drawing \(PDF\)](#) [RoHS Certificate of Compliance \(PDF\)](#)

Agency Certification

CSA LR6837
 UL E258922

General

Product Family Industrial Receptacles
 Series [130013](#)
 IP Rating IP67
 NEMA Rating NEMA 6
 Overview [Brad Mini-Change Connectors](#)
 Product Name Mini-Change
 Type Single Ended (pigtail)
 UPC 78678884142

Physical

Coupling Type External Thread
 Gender Male
 Keyway Single
 Length 1.0m
 Material - Component Zinc Die-Cast with Black Epoxy
 Mounting Thread Size 1/2" - 14 NPT
 Net Weight 93.049g
 Orientation Straight
 Panel Mount Front
 Poles 3
 Temperature Range - Operating -20°C to +105°C
 Wire Size AWG 16
 Wire/Cable Type UL 1015

Electrical

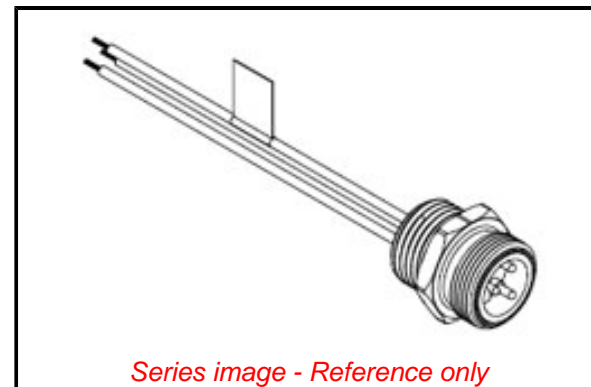
Current - Maximum per Contact 13.0A
 Voltage - Maximum 600V AC/DC

Material Info

Engineering Number 1R3006A20M010

Reference - Drawing Numbers

Sales Drawing SD-130013-120



Series image - Reference only

EU ELV

Not Relevant

EU RoHS

Not Compliant

REACH SVHC

Contained Per - ED/88/2018 (15 January 2019)
 Di-(2-ethylhexyl)phthalate (DEHP)

Halogen-Free

Status

Not Low-Halogen

For more information, please visit [Contact US](#)

China ROHS	50 Image
ELV	Not Relevant
RoHS Phthalates	Contained: DEHP

China RoHS

Search Parts in this Series

[130013 Series](#)