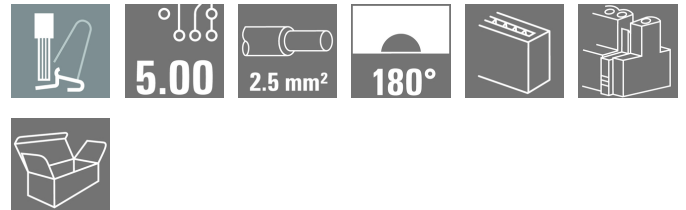
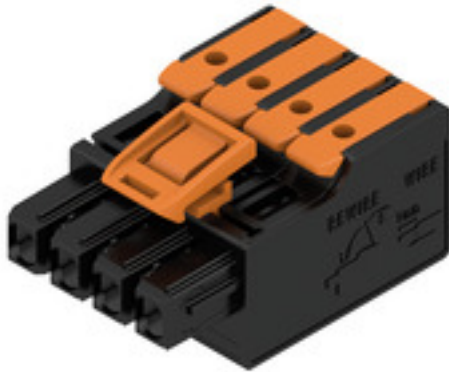


MPS 5/04 S F2 TN B B

Weidmüller Interface GmbH & Co. KG
 Klingenbergstraße 26
 D-32758 Detmold
 Germany

www.weidmueller.com

Product image



General ordering data

| | |
|--------------|---|
| Order No. | 2741690000 |
| Type | MPS 5/04 S F2 TN B B |
| GTIN (EAN) | 4064675055211 |
| Qty. | 84 Stück |
| Product data | IEC: 400 V / 26.8 A / 0.5 - 2.5 mm ² UL: 300 V / 18.5 A / AWG 20 - AWG 12/7, AWG12/9 |
| Packaging | Box |

Erstellungs-Datum January 29, 2021 3:43:14 AM CET

Katalogstand 15.01.2021 / Technische Änderungen vorbehalten

MPS 5/04 S F2 TN B B

Weidmüller Interface GmbH & Co. KG
 Klingenbergstraße 26
 D-32758 Detmold
 Germany

www.weidmueller.com

Technische Daten

Dimensions and weights

| | | | |
|------------|---------|-----------------|------------|
| Depth | 34 mm | Depth (inches) | 1.339 inch |
| Height | 17.5 mm | Height (inches) | 0.689 inch |
| Net weight | 10.19 g | Weight | 9.23 g |
| Width | 20.8 mm | Width (inches) | 0.819 inch |

System Parameters

| | | | |
|--|------------------------|-------|--|
| Type of connection | Field connection | | |
| Wire connection method | SNAP IN | | |
| Pitch in mm (P) | 5 mm | | |
| Pitch in inches (P) | 0.197 inch | | |
| Conductor outlet direction | 180° | | |
| Number of poles | 4 | | |
| Number of rows | 1 | | |
| Pin series quantity | 1 | | |
| Touch-safe protection acc. to DIN VDE 57 106 | Safe from finger touch | | |
| Touch-safe protection acc. to DIN VDE 0470 | IP 20 | | |
| Volume resistance | ≤5 mΩ | | |
| Stripping length | 9 mm | | |
| Stripping length tolerance | min. | 8 mm | |
| | max. | 10 mm | |
| Plugging force/pole, max. | 8.5 N | | |
| Pulling force/pole, max. | 8.5 N | | |

Material data

| | | | |
|----------------------------------|-------------|-----------------------------|--------|
| Insulating material | PBT GF | Colour | black |
| Colour chart (similar) | RAL 9011 | Insulating material group | I |
| Comparative Tracking Index (CTI) | ≥ 600 | UL 94 flammability rating | V-0 |
| Contact material | CuSn | Contact surface | tinned |
| Layer structure of plug contact | 4...8 μm Sn | Storage temperature, min. | -25 °C |
| Storage temperature, max. | 55 °C | Operating temperature, min. | -50 °C |
| Operating temperature, max. | 100 °C | | |

Conductors suitable for connection

| | |
|---|---------------------|
| Clamping range, min. | 0.5 mm ² |
| Clamping range, max. | 2.5 mm ² |
| Wire connection cross section AWG, min. | AWG 20 |
| Wire connection cross section AWG, max. | AWG 14 |
| Solid, min. H05(07) V-U | 0.5 mm ² |
| Solid, max. H05(07) V-U | 2.5 mm ² |
| Flexible, min. H05(07) V-K | 0.5 mm ² |
| Flexible, max. H05(07) V-K | 2.5 mm ² |
| w. plastic collar ferrule, DIN 46228 pt 4, 0.5 mm ² min. | |
| w. plastic collar ferrule, DIN 46228 pt 4, 2.5 mm ² max. | |
| w. wire end ferrule, DIN 46228 pt 1, min. | 0.5 mm ² |
| w. wire end ferrule, DIN 46228 pt 1, max. | 2.5 mm ² |

Erstellungs-Datum January 29, 2021 3:43:14 AM CET

MPS 5/04 S F2 TN B B

Weidmüller Interface GmbH & Co. KG
 Klingenbergstraße 26
 D-32758 Detmold
 Germany

www.weidmueller.com

Technische Daten

| | | | |
|--|--|------------------------------|----------------------------|
| Outer diameter of insulation, max. | 4 mm | | |
| Clampable conductor | Cross-section for conductor connection | nominal | 0.5 mm ² |
| | wire end ferrule | Stripping length | nominal 12 mm |
| | | Recommended wire-end ferrule | H0.5/16 OR |
| | | Stripping length | nominal 10 mm |
| | | Recommended wire-end ferrule | H0.5/10 |
| | Cross-section for conductor connection | nominal | 0.75 mm ² |
| | wire end ferrule | Stripping length | nominal 12 mm |
| | | Recommended wire-end ferrule | H0.75/16 W |
| | | Stripping length | nominal 10 mm |
| | | Recommended wire-end ferrule | H0.75/10 |
| | Cross-section for conductor connection | nominal | 1 mm ² |
| | wire end ferrule | Stripping length | nominal 12 mm |
| | | Recommended wire-end ferrule | H1.0/16 GE |
| | | Stripping length | nominal 10 mm |
| | | Recommended wire-end ferrule | H1.0/10 |
| | Cross-section for conductor connection | nominal | 1.5 mm ² |
| | wire end ferrule | Stripping length | nominal 12 mm |
| | | Recommended wire-end ferrule | H1.5/16 R |
| | | Stripping length | nominal 10 mm |
| | | Recommended wire-end ferrule | H1.5/10 |
| Cross-section for conductor connection | nominal | 2.5 mm ² | |
| wire end ferrule | Stripping length | nominal 10 mm | |
| | Recommended wire-end ferrule | H2.5/15D BL | |
| | Stripping length | nominal 10 mm | |
| | Recommended wire-end ferrule | H2.5/10 | |

Reference text The outside diameter of the plastic collar should not be larger than the pitch (P). Length of ferrules is to be chosen depending on the product and the rated voltage.

Rated data acc. to IEC

| | | |
|---|------------------------|--|
| tested acc. to standard | IEC 60664-1, IEC 61984 | |
| Rated current, max. number of poles (Tu=20°C) | 19.7 A | Rated current, min. number of poles (Tu=20°C) 26.8 A |
| Rated current, max. number of poles (Tu=40°C) | 16.9 A | Rated current, min. number of poles (Tu=40°C) 23.1 A |
| Rated voltage for surge voltage class / pollution degree III/2 | 320 V | Rated voltage for surge voltage class / pollution degree II/2 400 V |
| Rated impulse voltage for surge voltage class/ pollution degree II/2 | 4 kV | Rated voltage for surge voltage class / pollution degree III/3 250 V |
| Rated impulse voltage for surge voltage class/ contamination degree III/3 | 4 kV | Rated impulse voltage for surge voltage class/ pollution degree III/2 4 kV |

MPS 5/04 S F2 TN B B

Weidmüller Interface GmbH & Co. KG
 Klingenbergstraße 26
 D-32758 Detmold
 Germany

www.weidmueller.com

Technische Daten

Rated data acc. to UL 1059

Institute (cURus)



Certificate No. (cURus)

E60693

| | |
|---------------------------------------|--|
| Rated voltage (Use group B / UL 1059) | 300 V |
| Rated current (Use group B / UL 1059) | 18.5 A |
| Wire cross-section, AWG, min. | AWG 18 |
| Reference to approval values | Specifications are maximum values, details - see approval certificate. |

| | |
|---------------------------------------|--------|
| Rated voltage (Use group D / UL 1059) | 300 V |
| Rated current (Use group D / UL 1059) | 10 A |
| Wire cross-section, AWG, max. | AWG 14 |

Classifications

| | | | |
|-------------|-------------|-------------|-------------|
| ETIM 6.0 | EC002638 | ETIM 7.0 | EC002638 |
| ECLASS 9.0 | 27-44-03-09 | ECLASS 9.1 | 27-44-03-09 |
| ECLASS 10.0 | 27-44-03-09 | ECLASS 11.0 | 27-46-02-02 |

Important note

IPC conformity

Conformity: The products are developed, manufactured and delivered according international recognized standards and norms and comply with the assured properties in the data sheet resp. fulfill decorative properties in accordance with IPC-A-610 "Class 2". Further claims on the products can be evaluated on request.

Notes

- Rated current related to rated cross-section & min. No. of poles.
- P on drawing = pitch
- Rated data refer only to the component itself. Clearance and creepage distances to other components are to be designed in accordance with the relevant application standards.
- Wire end ferrule without plastic collar to DIN 46228/1

Approvals

Approvals



UL File Number Search E60693

Downloads

Engineering Data [STEP](#)

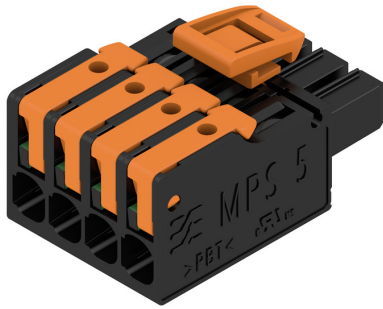
MPS 5/04 S F2 TN B B

Weidmüller Interface GmbH & Co. KG
 Klingenbergstraße 26
 D-32758 Detmold
 Germany

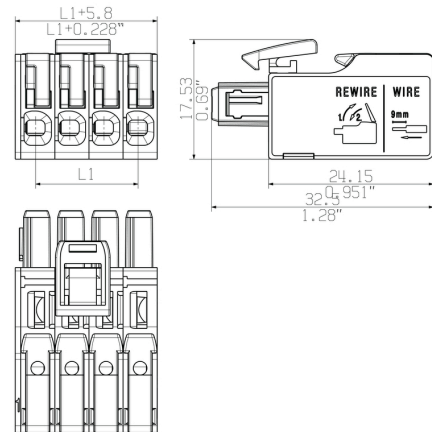
www.weidmueller.com

Zeichnungen

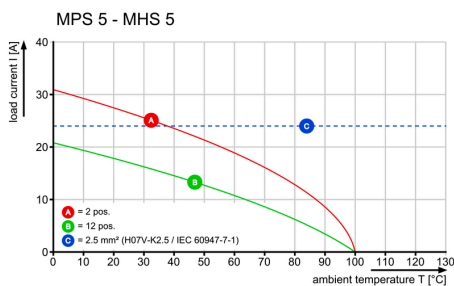
Product image



Dimensional drawing



Derating curve



Product benefits



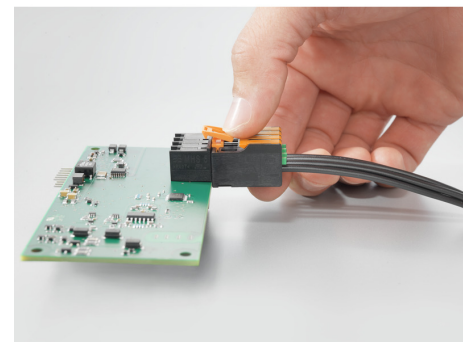
Fastest connection technology SNAP IN

Product benefits



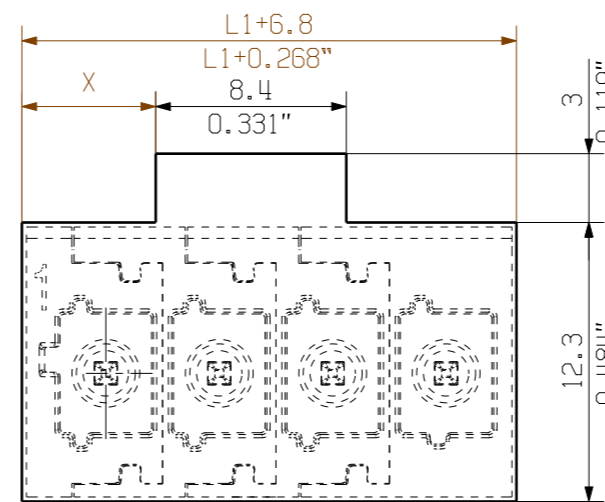
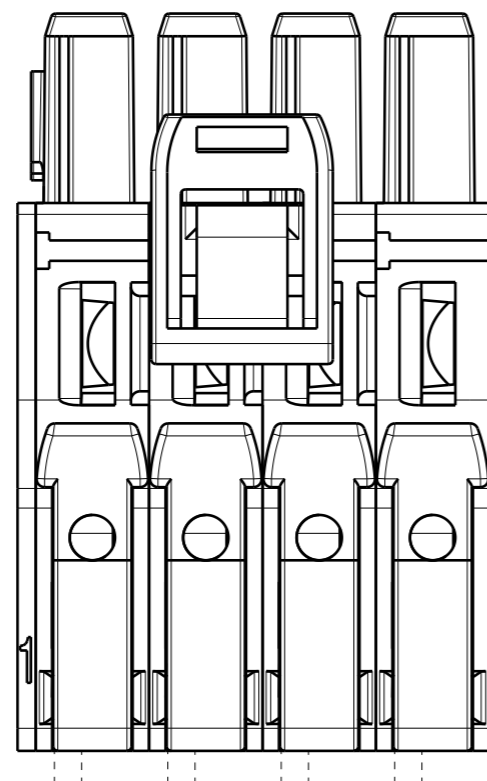
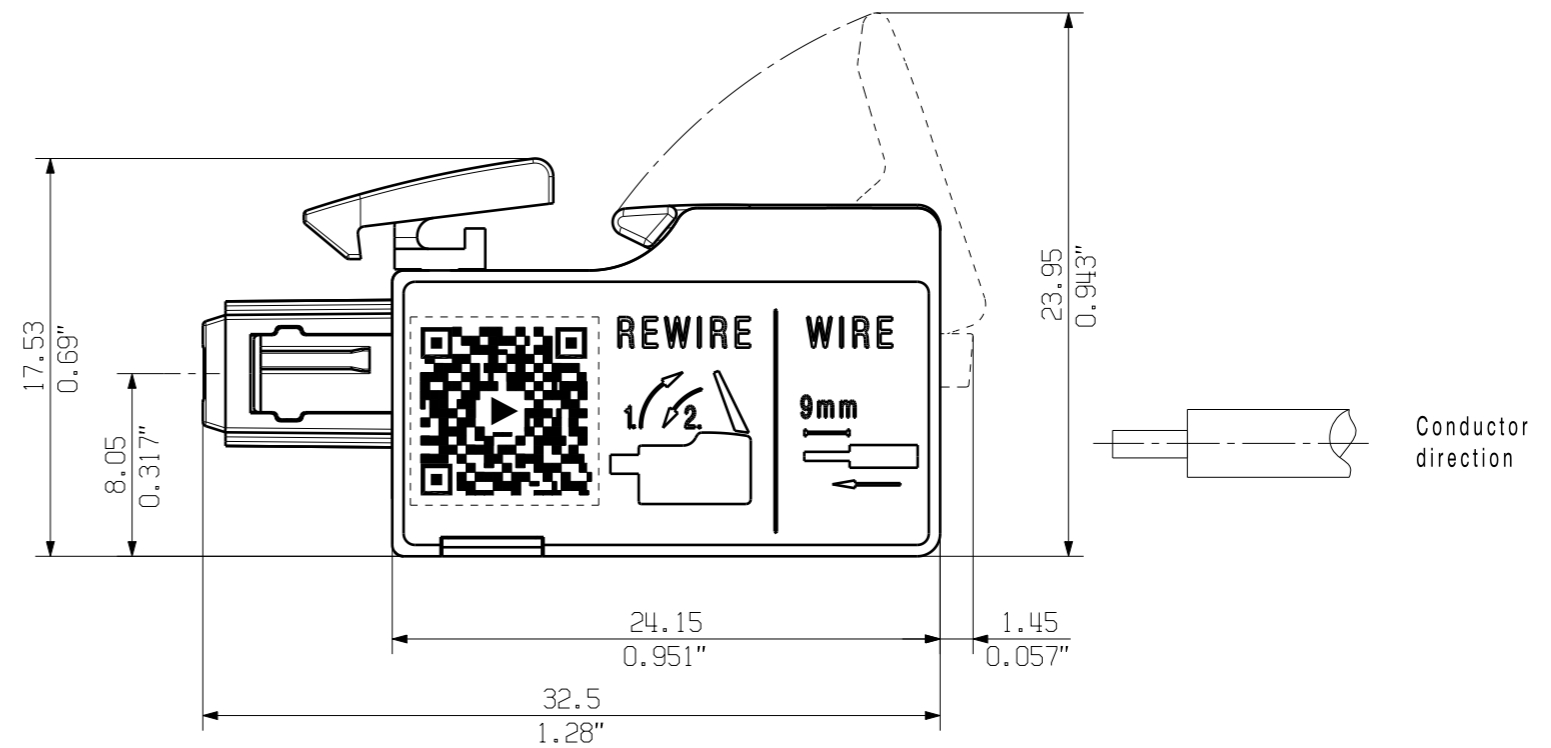
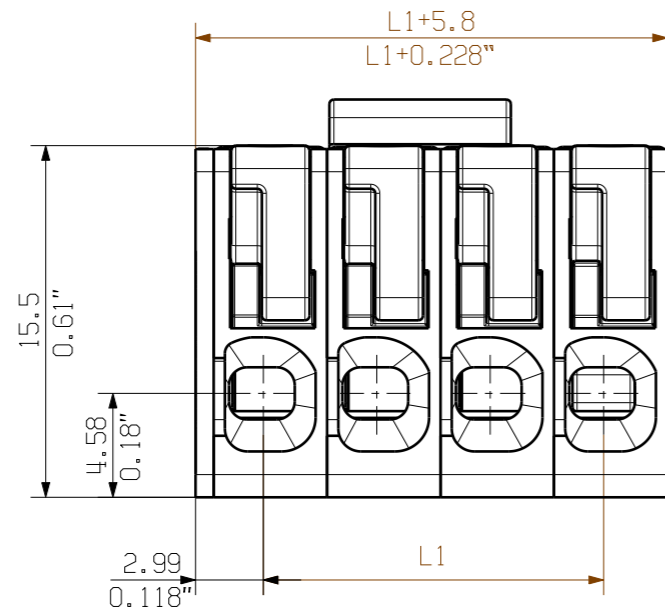
Acoustic and visual feedback

Product benefits

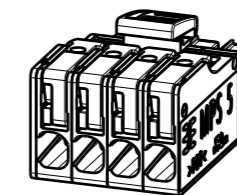


Easy one-handed use of top-fixation

Allgemeinguetlige Kundenzeichnung, aktueller Stand nur auf Anfrage
 General customer drawing, topical version only if required



Min. front plate cut-out



M 1/1

Further dim. & info. see data sheet

General tolerance:
 DIN ISO 2768-mK

| | | | | |
|---------|---------|-----------|--------|----------|
| 12 | 55.00 | 2.165 | 25.90 | 1.020 |
| 11 | 50.00 | 1.969 | 25.90 | 1.020 |
| 10 | 45.00 | 1.772 | 20.90 | 0.823 |
| 9 | 40.00 | 1.575 | 20.90 | 0.823 |
| 8 | 35.00 | 1.378 | 15.90 | 0.626 |
| 7 | 30.00 | 1.181 | 15.90 | 0.626 |
| 6 | 25.00 | 0.984 | 10.90 | 0.429 |
| 5 | 20.00 | 0.787 | 10.90 | 0.429 |
| 4 | 15.00 | 0.591 | 5.90 | 0.232 |
| 3 | 10.00 | 0.394 | 5.90 | 0.232 |
| 2 | 5.00 | 0.197 | 0.90 | 0.035 |
| n Poles | L1 [mm] | L1 [inch] | X [mm] | X [inch] |

For the mounting of PCBs, it should be noted that the rated data given in the catalogue relates only to the connection elements. The necessary creepage and clearance paths must be observed in connection with the respective applicant in accordance with VDE 0110. The current-carrying capacity and pitch tolerance is to be determined according to DIN IEC 326 part 3 very fine.

Weidmueller connectors are tested to the DIN VDE 0627 standard, and are valid for its field of application. Provided that the connectors are used to the intended purpose, all requirements with respect to the occurring of electrical, mechanical, thermic and corrosive stress will be satisfied.

| | | | |
|------------|--------------------------------|--|--|
| | EC00004370 P028441 | Prim PLM Part No.: . | Prim ERP Part No.: . |
| | First Issue Date 07.05.2020 | Max. nos. | |
| | Modification | 72561 Drawing no. Issue no. Sheet 6 of 8 sheets | |
| | Drawn | Date | MPS 5/... TN ... BUCHSENSTECKER FEMALE PLUG |
| | Responsible | Name | |
| Scale: ./. | Size: A3 | Approved | Product file: |

The reproduction, distribution and utilization of this document as well as the communication of its contents to others without explicit authorization is prohibited. Offenders will be held liable for the payment of damages. Weidmueller exclusively reserves the right to file for patents, utility models or designs.