

## Preparation of compressed air → Maintenance units and components

**3/2-way valve, electrically operated, Series NL4-SOV**

► G 1/2 ► pipe connection ► Electr. connection: Plug, ISO 6952, form B ► ATEX optional



00106022\_2

|   |   |
|---|---|
| Version   | Poppet valve, Can be assembled into blocks<br>short circuit protected |
| Pilot   | internal  |
| Sealing principle                                 | soft sealing  |
| Working pressure min./max.                        | 2.5 bar / 10 bar  |
| Ambient temperature min./max.                     | -10 °C / +60 °C   |
| Medium temperature min./max.                      | -10 °C / +60 °C   |
| Medium  | Compressed air  |
| Max. particle size                                | 5 µm  |
| Protection class according to EN 60529: with Plug | IP 65   |
| Duty cycle  | 100 %   |
| Materials:  |   |
| Housing   | Die cast zinc   |
| Seals   | Acrylonitrile butadiene styrene                                       |
| Front plate                                       | Acrylonitrile butadiene styrene                                       |

**Technical Remarks**

- The pressure dew point must be at least 15 °C under ambient and medium temperature and may not exceed 3 °C.
- ATEX optional: The ATEX ID depends on the selected ATEX coil.

| Operating voltage |          |          | Power consumption | Switch-on power | Holding power |
|-------------------|----------|----------|-------------------|-----------------|---------------|
| DC                | AC 50 Hz | AC 60 Hz | DC                | AC 50 Hz        | AC 50 Hz      |
|                   |          |          | W                 | VA              | VA            |
| 24 V              | -        | -        | 4.8               | -               | -             |
| -                 | 230 V    | 230 V    | -                 | 11.8            | 8.5           |

|  |   | Port  | Exhaust | Operating voltage |          |          | Qn      |      | Weight | Note       | Part No.                 |
|--|---|-------|---------|-------------------|----------|----------|---------|------|--------|------------|--------------------------|
|  |   |       |         | DC                | AC 50 Hz | AC 60 Hz | 1►2     | 2►3  |        |            |                          |
|  |   |       |         |                   |          |          | [l/min] |      | [kg]   |            |                          |
|  | - | G 1/2 | G 1/2   | 24 V              | -        | -        | 4000    | 1600 | 1.05   | -          | 0821300932<br>0821300933 |
|  | - | G 1/2 | G 1/2   | -                 | -        | -        | 4000    | 1600 | 1.09   | 1); 3)     | 0821300934               |
|  |   | G 1/2 | G 1/2   | -                 | -        | -        | 4000    | 1600 | 1.05   | 1); 2); 3) | 0821300937               |

nominal flow Qn with secondary pressure 6 bar at  $\Delta p = 1$  bar

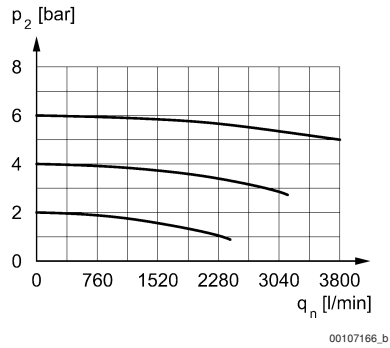
- 1) pilot valve without coil
- 2) manual override: with detent
- 3) ATEX optional

## Preparation of compressed air → Maintenance units and components

**3/2-way valve, electrically operated, Series NL4-SOV**

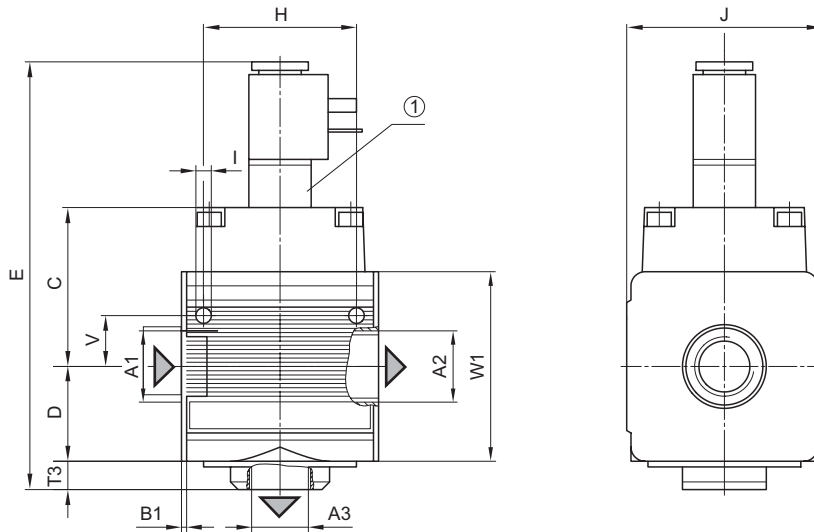
▶ G 1/2 ▶ pipe connection ▶ Electr. connection: Plug, ISO 6952, form B ▶ ATEX optional

## Flow rate characteristic



$p_2$  = secondary pressure  
 $q_n$  = nominal flow

## Dimensions



00106028\_m

1) electrically operated

| A1    | A2    | A3    | B1  | C    | D    | E   | H  | I   | J  | T3 | W1 |  |  |
|-------|-------|-------|-----|------|------|-----|----|-----|----|----|----|--|--|
| G 1/2 | G 1/2 | G 1/2 | 1.8 | 56.5 | 33.5 | 151 | 54 | 5.5 | 69 | 10 | 67 |  |  |