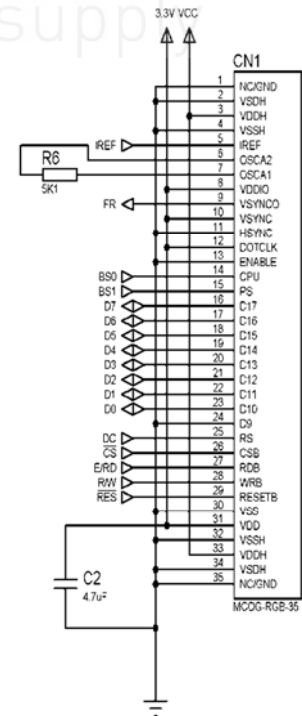
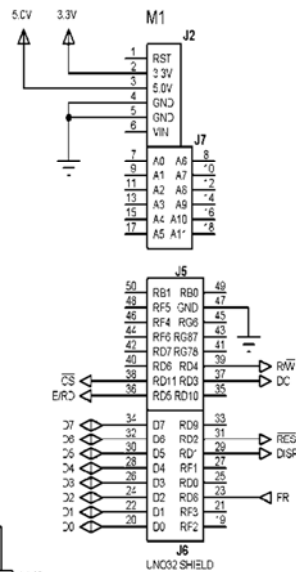
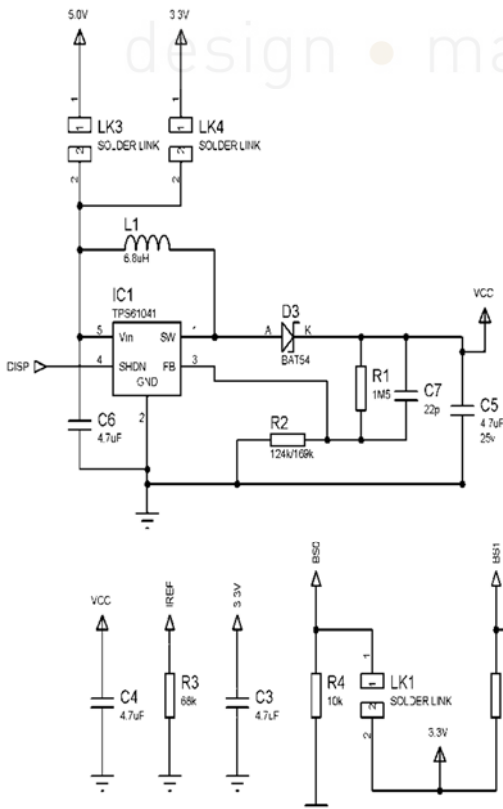
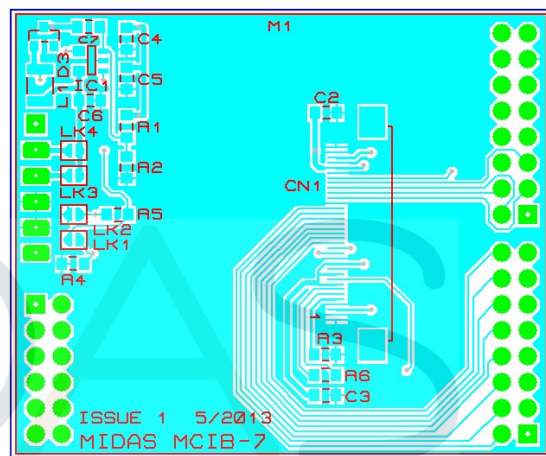
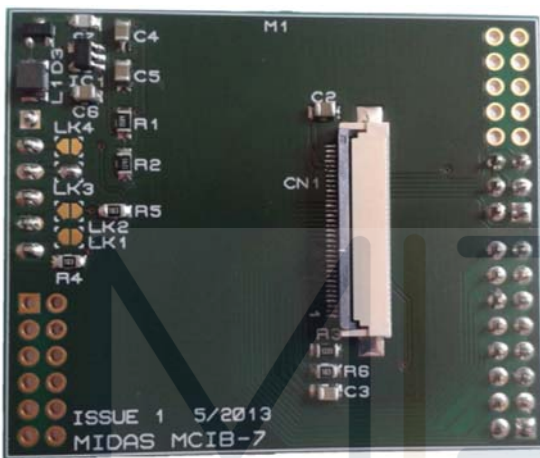


Specification	
Part Number:	MCIB-7
Version:	2
Date:	03/11/2015
Revision	
Date	Description of change
27/08/2014	First Draft
03/11/2015	Mechanical Drawing

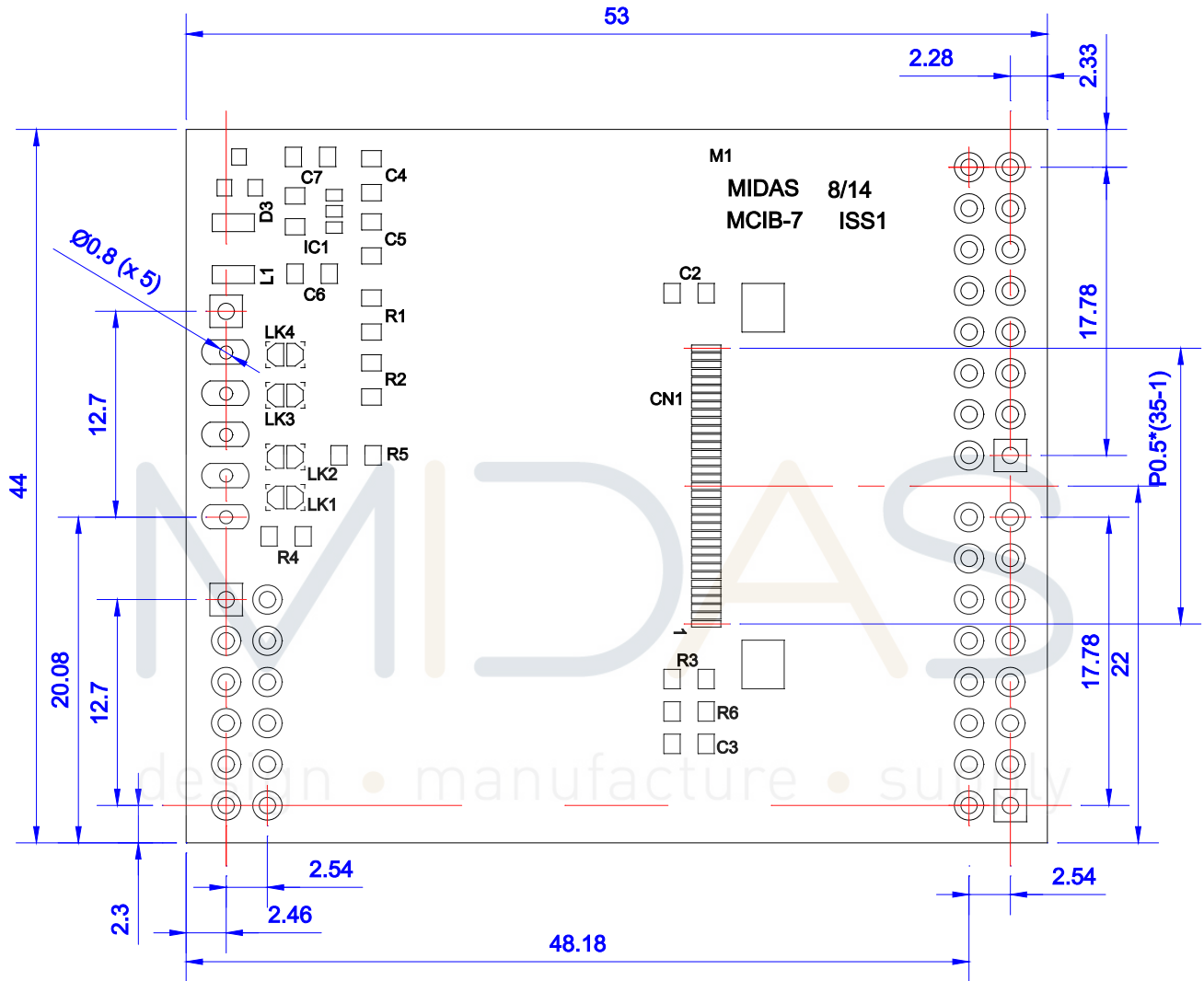


MCIB-7

35 way Colour 160 x 128 OLED Interface Board compatible with UNO32 controller board.



Mechanical Drawing



***Note all measurements are in mm
 and all wholes are 0.5mm in radius
 unless stated otherwise.**