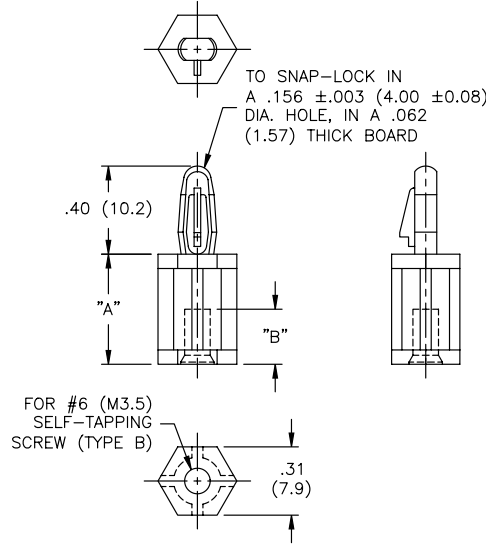
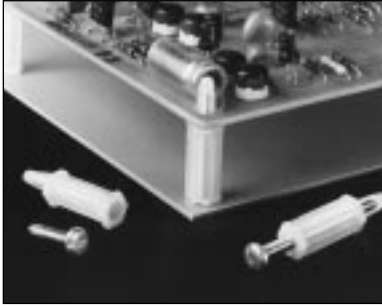


# CIRCUIT BOARD HARDWARE

## TCBS Series Screw Mount Circuit Board Support



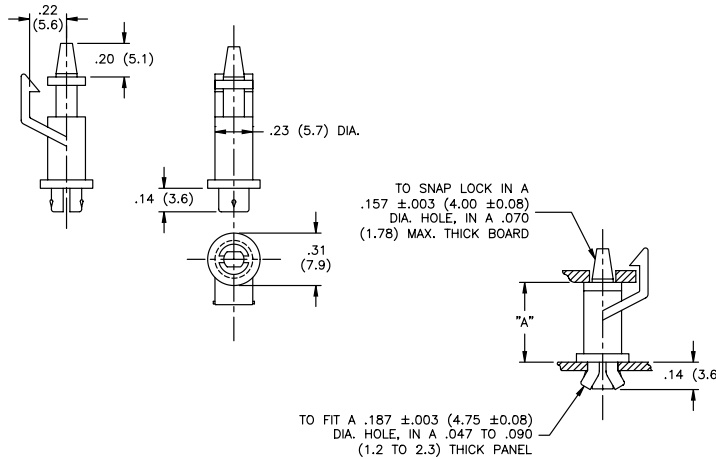
Material: Nylon 6/6, RMS-01 or Flame Retardant Nylom, RMS-19 / Color: Natural

Nylon Part No.	Flame Retardant Nylon Part No.	Standard Pack: 1000 per bag "A" ± .015 (0.4)
TCBS-4-01	TCBS-4-19	1/4 (6.4)
TCBS-6-01	TCBS-6-19	3/8 (9.5)
TCBS-8-01	TCBS-8-19	1/2 (12.7)
TCBS-10-01	TCBS-10-19	5/8 (15.9)
TCBS-12-01	TCBS-12-19	3/4 (19.1)
TCBS-14-01	TCBS-14-19	7/8 (22.2)
TCBS-16-01	TCBS-16-19	1 (25.4)
TCBS-18-01	TCBS-18-19	1 - 1/8 (28.6)
TCBS-20-01	TCBS-20-19	1 - 1/4 (31.8)
TCBS-22.5-01	TCBS-22.5-19	1 - 13/32 (35.7)

## REHCBS Series Rivet Edge Hold Circuit Board Support



REHCBS-T



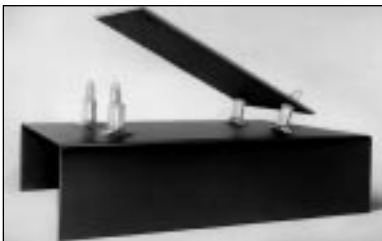
Material: Nylon 6/6, RMS-01  
Color: Natural

Part No.	Standard Pack: 1000 per bag "A" ± .015 (0.4)
REHCBS-4-01	1/4 (6.4)
REHCBS-5-01	5/16 (7.9)
REHCBS-6-01	3/8 (9.5)
REHCBS-8-01	1/2 (12.7)
REHCBS-10.4-01	0.65 (16.5)
REHCBS-11-01	11/16 (17.5)
REHCBS-12-01	3/4 (19.1)
REHCBS-14-01	7/8 (22.2)
REHCBS-16-01	1 (25.4)
REHCBS-19.2-01	1.2 (30.5)
REHCBS-20-01	1 - 1/4 (31.8)

### Features

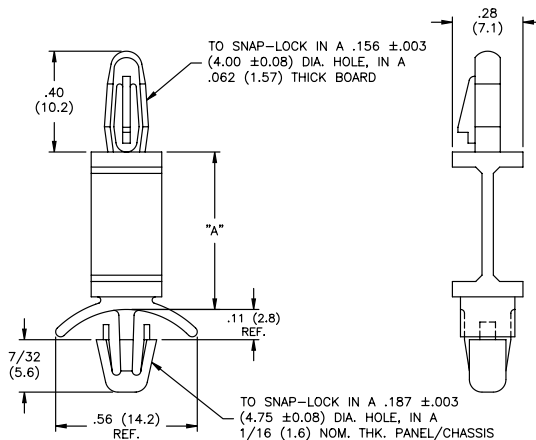
- REHCBS-T assembly tool sold separately

## FLCBSU Series Flexible Circuit Board Support "U" Style



### Features

- Flexible spacer allows access to underside of board for maintenance and repair; use with Richco LSBS Series



Material: Nylon 6/6, RMS-01  
Color: Natural

Part No.	Standard Pack: 1000 per bag "A" ± .015 (0.4)
FLCBSU-6-01	3/8 (9.5)
FLCBSU-7-01	7/16 (11.1)
FLCBSU-8-01	1/2 (12.7)
FLCBSU-10-01	5/8 (15.9)
FLCBSU-12-01	3/4 (19.1)
FLCBSU-14-01	7/8 (22.2)
FLCBSU-16-01	1 (25.4)
FLCBSU-18-01	1 - 1/8 (28.6)
FLCBSU-20-01	1 - 1/4 (31.8)
FLCBSU-22-01	1 - 3/8 (34.9)