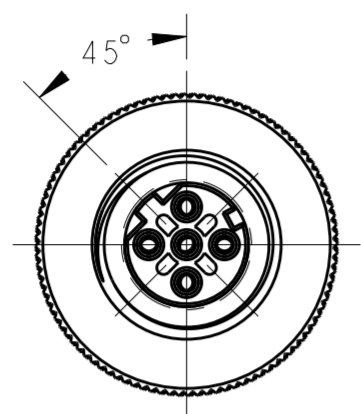
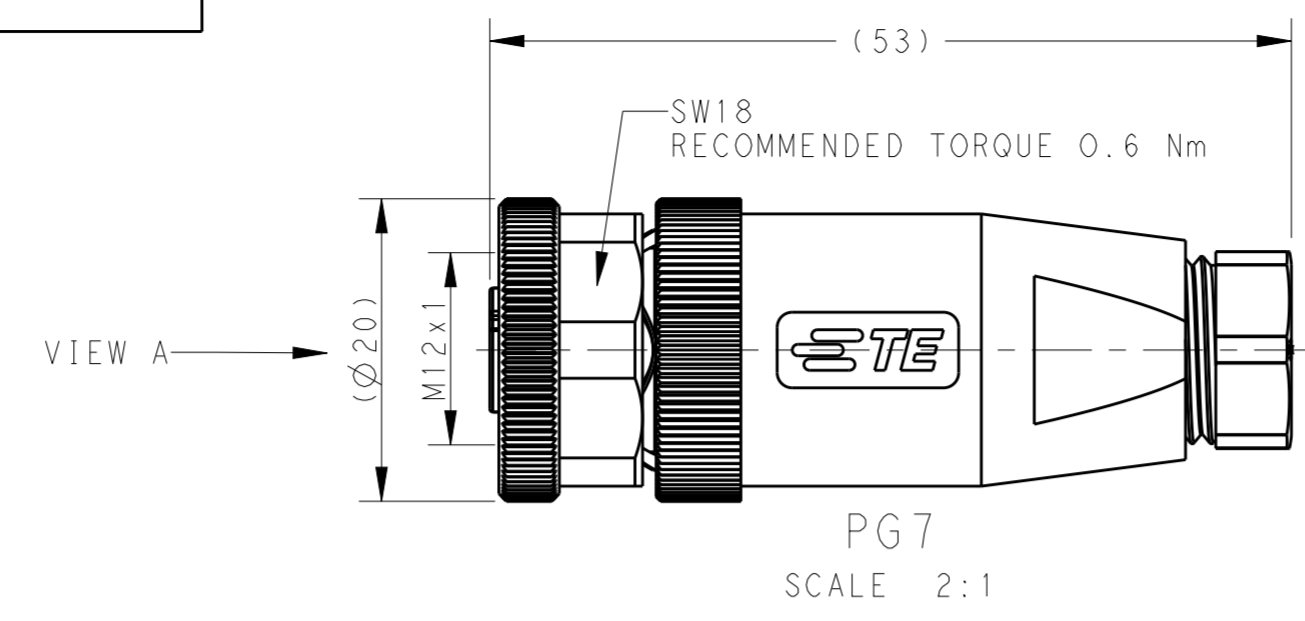


THIS DRAWING IS UNPUBLISHED. RELEASED FOR PUBLICATION 20  
 © COPYRIGHT 20 BY - ALL RIGHTS RESERVED.

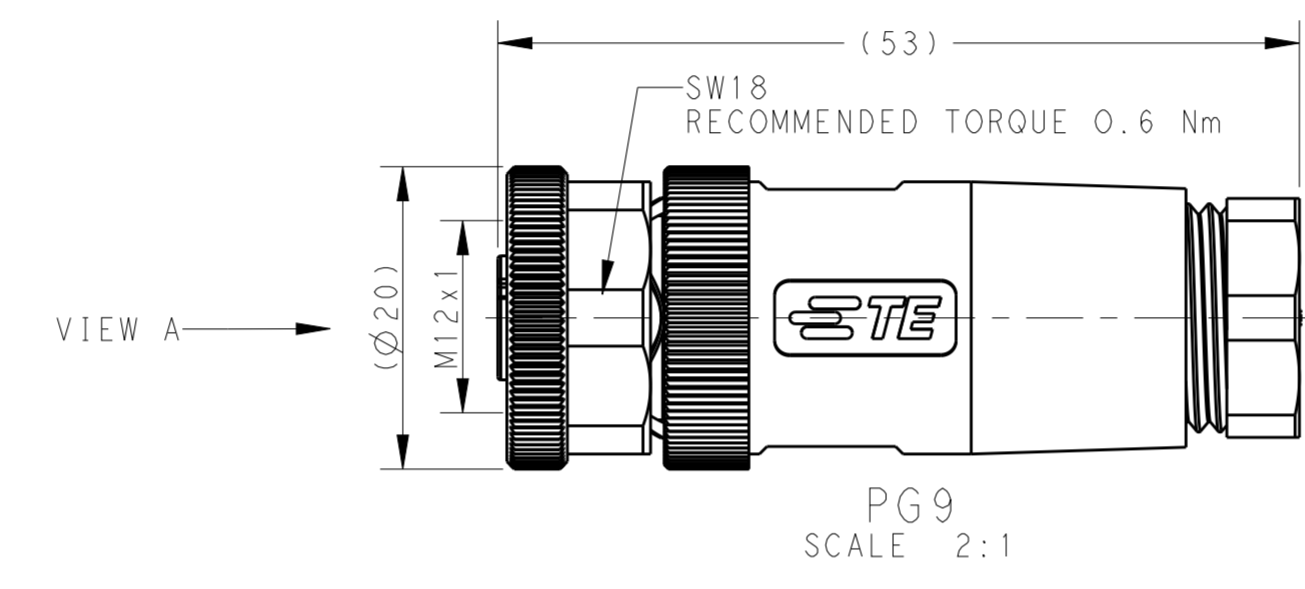
REVISIONS				
P	LTR	DESCRIPTION	DATE	APVD
A		INITIAL RELEASE	08JUL2015	NP XX
A1		ECR-15-018715 ADD 114 SPEC.	29DEC2015	NP XX
A2		ECR-20-012708 ADD PG9 MODEL	14SEP2020	S.C C.W



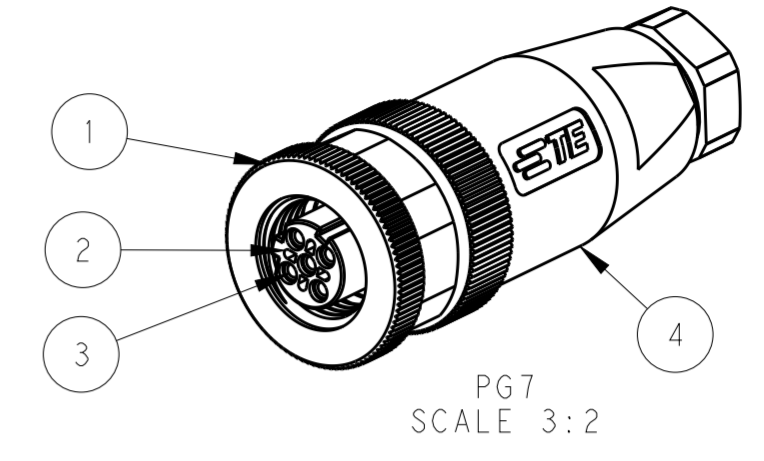
VIEW A  
DETAIL SEE TABLE 1



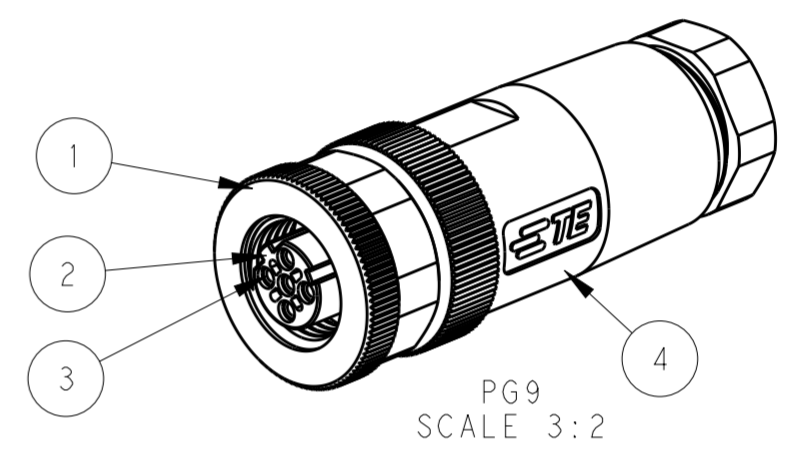
PG7  
SCALE 2:1



PG9  
SCALE 2:1



PG7  
SCALE 3:2



PG9  
SCALE 3:2

TECHNICAL DATA	T411050X02X-000	T411050X03X-000	T411050X04X-000	T411050X05X-000
RATED VOLTAGE	250V	250V	250V	60V
RATED CURRENT	4A	4A	4A	4A
POLLUTION DEGREE	3	3	3	3
OVERVOLTAGE CATEGORY	II	II	II	II
MATERIAL GROUP	II	II	II	II
CONTACT RESISTANCE	≤8mΩ	≤8mΩ	≤8mΩ	≤8mΩ
INSULATION RESISTANCE	>100MΩ	>100MΩ	>100MΩ	>100MΩ
DEGREE OF PROTECTION	IP67	IP67	IP67	IP67
OPERATION TEMPERATURE	-40~85°C	-40~85°C	-40~85°C	-40~85°C

TABLE 1 PIN ARRANGEMENT D-CODE

T411050X02X-000	T411050X03X-000	T411050X04X-000

T411050X05X-000

T4110502051-000	RPC-M12D-FS-5CON-PG9-MU
T4110501051-000	RPC-M12D-FS-5CON-PG7-MU
T4110502052-000	RPC-M12D-FS-5CON-PG9-M
T4110501052-000	RPC-M12D-FS-5CON-PG7-M
T4110502041-000	RPC-M12D-FS-4CON-PG9-MU
T4110501041-000	RPC-M12D-FS-4CON-PG7-MU
T4110502042-000	RPC-M12D-FS-4CON-PG9-M
T4110501042-000	RPC-M12D-FS-4CON-PG7-M
T4110502031-000	RPC-M12D-FS-3CON-PG9-MU
T4110501031-000	RPC-M12D-FS-3CON-PG7-MU
T4110502032-000	RPC-M12D-FS-3CON-PG9-M
T4110501032-000	RPC-M12D-FS-3CON-PG7-M
T4110502021-000	RPC-M12D-FS-2CON-PG9-MU
T4110501021-000	RPC-M12D-FS-2CON-PG7-MU
T4110502022-000	RPC-M12D-FS-2CON-PG9-M
T4110501022-000	RPC-M12D-FS-2CON-PG7-M
TE PN	SIBAS PN

- NOTE:
- MATERIAL:  
 ITEM NO.1:NUT -BRASS  
 ITEM NO.2:HOUSING -PA  
 ITEM NO.3:CONTACT -BRONZE  
 ITEM NO.4: HOUSING BODY: -PBT+GF
  - CONTACT FINISH:  
 GOLD OVER NICKEL OR SILVER OVER NICKEL
  - CABLE WIRES:  
 18AWG/0.75mm<sup>2</sup> Max. FOR 2-5 PINS
  - ALLDIMENSIONS ARE FOR NOMINAL REFERENCE ONLY UNLESS OTHERWISE STATED
  - PACKAGEING: IPIECE IN A BAG
  - PN INFORMATION

T411050XXXX-000

CONTACT FINISH:  
 1: GOLD OVER NICKEL  
 2: SILVER OVER NICKEL

NUMBERS OF PINS:  
 02: 2 PINS  
 03: 3 PINS  
 04: 4 PINS  
 05: 5 PINS  
 08: 8 PINS

CABLE OUTLET:  
 1: PG7(CABLE FEED: 4-6mm)  
 2: PG9(CABLE FEED: 6-8mm)

BRAND:  
 T: W/ TE LOGO

THIS DRAWING IS A CONTROLLED DOCUMENT.		DWN HAO WANG 08JAN2015	TE Connectivity	
DIMENSIONS: mm		CHK KOBBY ZHAO 08JAN2015		
TOLERANCES UNLESS OTHERWISE SPECIFIED: 0 PLC ±0.2 1 PLC ±0.2 2 PLC ±0.2 3 PLC ± 4 PLC ± ANGLES ±		APVD XIANG XU 08JAN2015	NAME M12 FEMALE, D CODE, STRAIGHT UNSHIELDED CONNECTOR SCREW TERMINAL	
MATERIAL		PRODUCT SPEC 108-106140	SIZE CAGE CODE DRAWING NO A2 - C-T411050XXXX000	
		APPLICATION SPEC 114-137144	RESTRICTED TO	
		WEIGHT	SCALE 1:1 SHEET 1 OF 1 REV A2	
		CUSTOMER DRAWING		