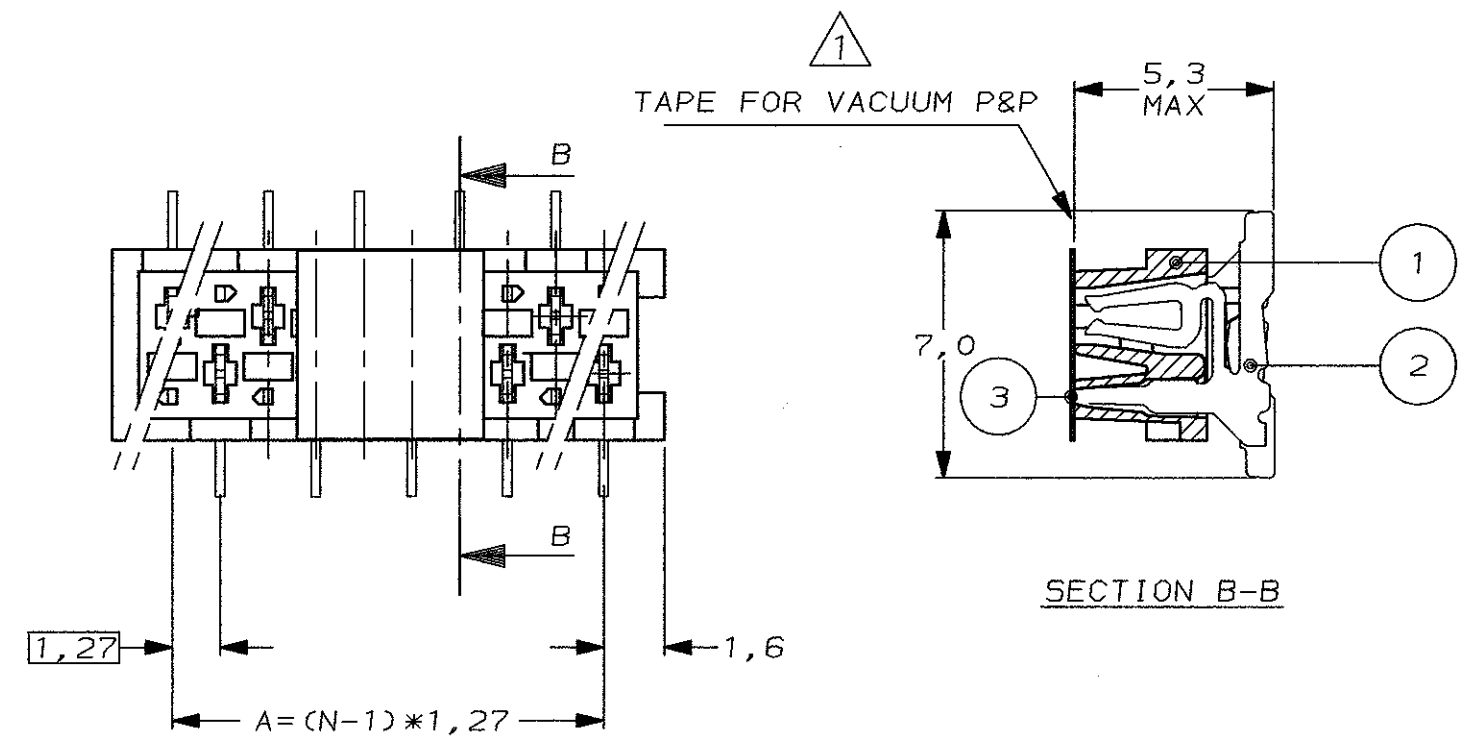


DO NOT SCALE  
DIMENSIONS IN mm

METRIC

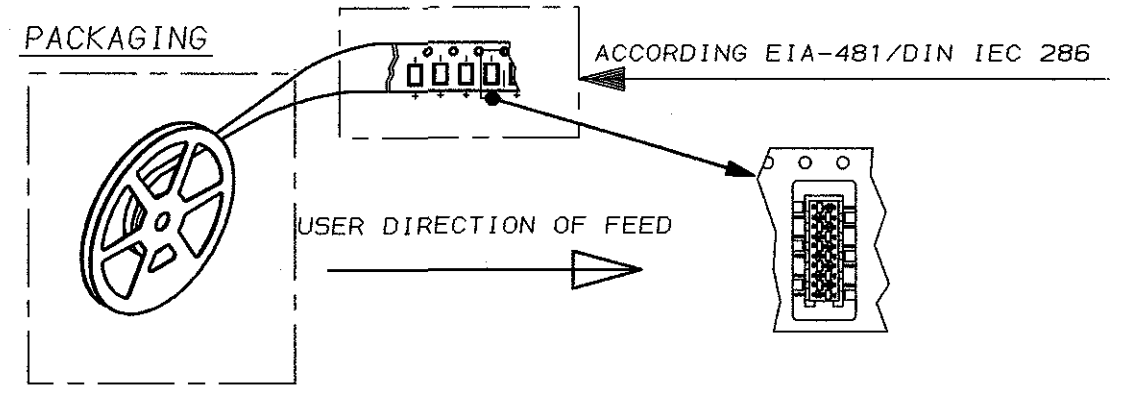
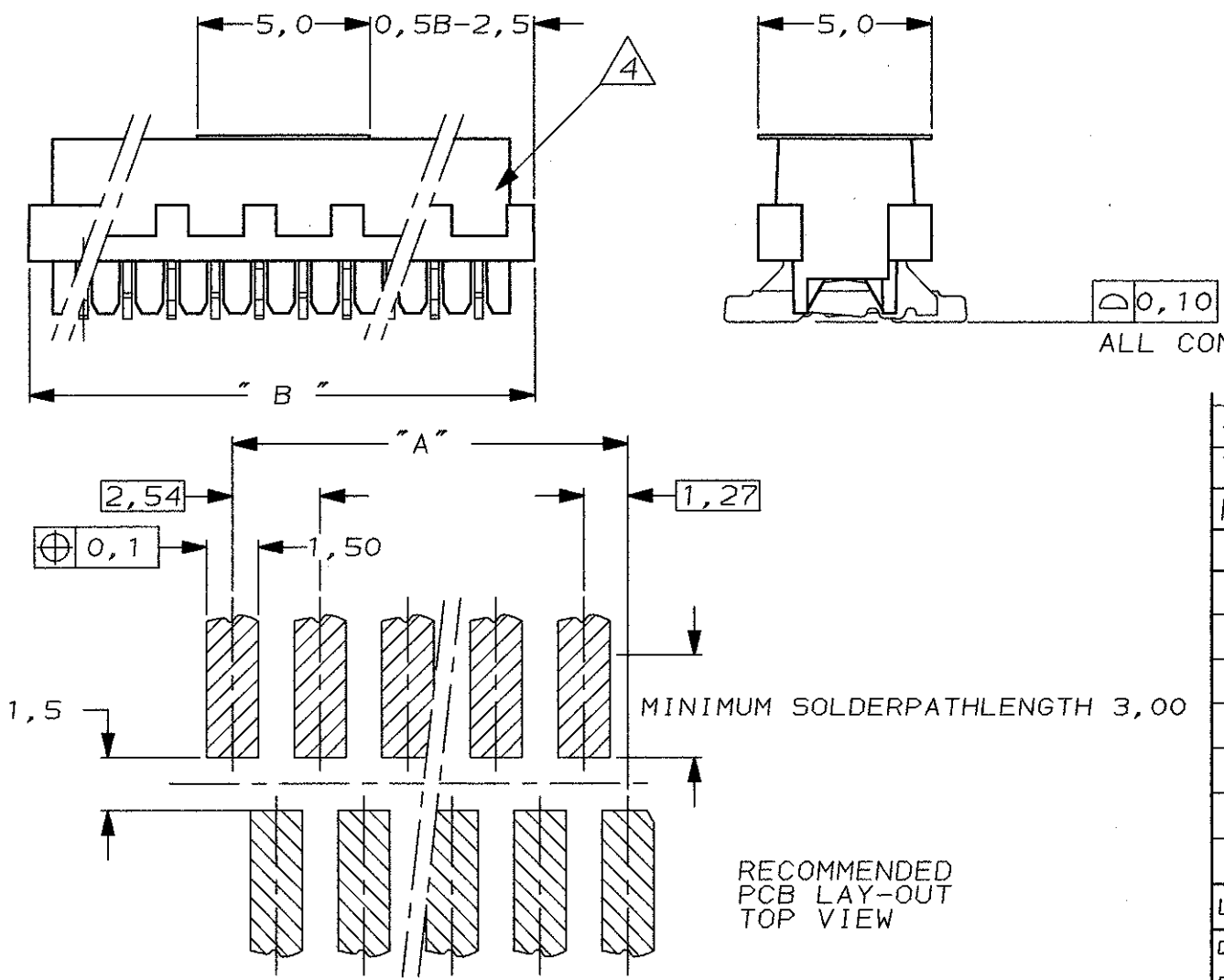
THIRD ANGLE  
PROJECTION

PARTNUMBER	PARTNUMBER	NUMBER OF POSITIONS	"A"	"B" MAX.
7-188275-4	0-188275-4	4	3,81	7,1
7-188275-6	0-188275-6	6	6,35	9,7
7-188275-8	0-188275-8	8	8,89	12,2
8-188275-0	1-188275-0	10	11,43	14,7
8-188275-2	1-188275-2	12	13,97	17,3
8-188275-4	1-188275-4	14	16,51	19,8
8-188275-6	1-188275-6	16	19,05	22,4
8-188275-8	1-188275-8	18	21,59	24,9
9-188275-0	2-188275-0	20	24,13	27,5



NOTES:

- ① TAPE FOR VACUUM P&P ONLY FOR NUMBERS 7-/8-/9-
- ② FOR PACKAGING SEE SHEET 2-2.
- ③ WITHOUT VACUUM TAPE.
- ④ CORING OUTS OPTIONAL.



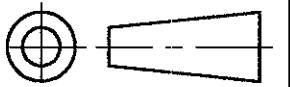
-	①	TAPE	3
TIN-LEAD PLATED	PHOSPHORBRONZE	FEMALE CONTACT	2
RED	PA 4.6	FEMALE HOUSING	1
FINISH	MATERIAL	DESCRIPTION	ITEM
-	-	CUSTOMER DRAWING FOR REFERENCE ONLY WILL NOT BE UPDATED	
-	-	© COPYRIGHT 19- BY AMP HOLLAND B.V. ALL INTERNATIONAL RIGHTS RESERVED. AMP PRODUCTS MAY BE COVERED BY U.S. AND FOREIGN AND/OR PATENTS PENDING.	
-	-	THIS DRAWING IS UNPUBLISHED RELEASED FOR PUBLICATION, 19	
K	EH-1177-99	D.K.	M.G. 03 JUN 98
J	EH-0790-98	D.K.	M.G. 18 MAY 98
H	EH-1362-97	D.K.	M.G. 09 DEC 97
G	EH-0615-97	-	D.K. 12 JUN 97
LTR.	REVISION RECORD	DR.	CHK. DATE
DR.:	D. KESSLER	CHK.:	E. LEIJTENS
DATE:	15-08-94	DATE:	-
APP.:	E. LEIJTENS	DRG. No.	188275
DATE:	-	REV. LTR.	K
		SHEET	1 OF 2
			A3

DO NOT SCALE

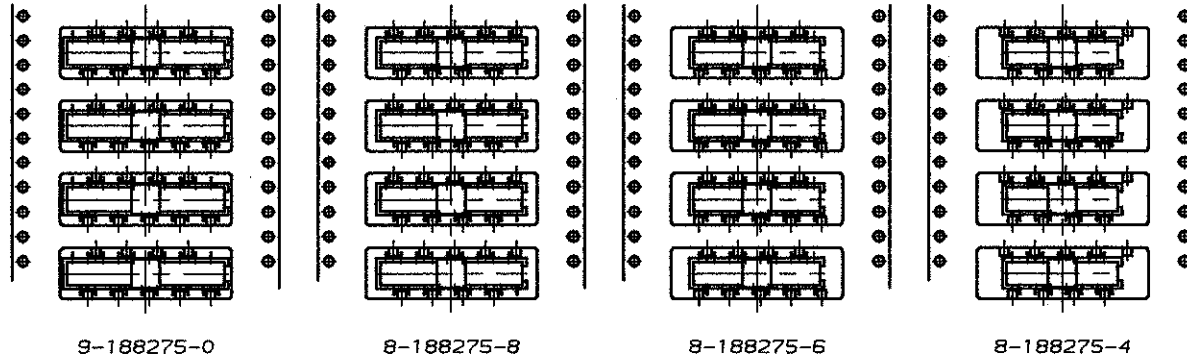
DIMENSIONS IN mm

METRIC

THIRD ANGLE  
PROJECTION



TAPE WIDTH 44mm (4x)



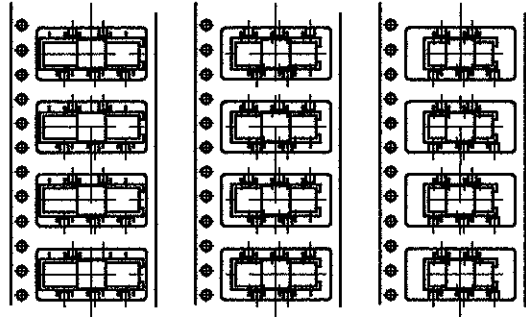
9-188275-0

8-188275-8

8-188275-6

8-188275-4

TAPE WIDTH 24mm (3x)

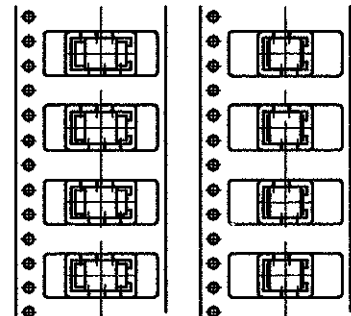


8-188275-2

8-188275-0

7-188275-8

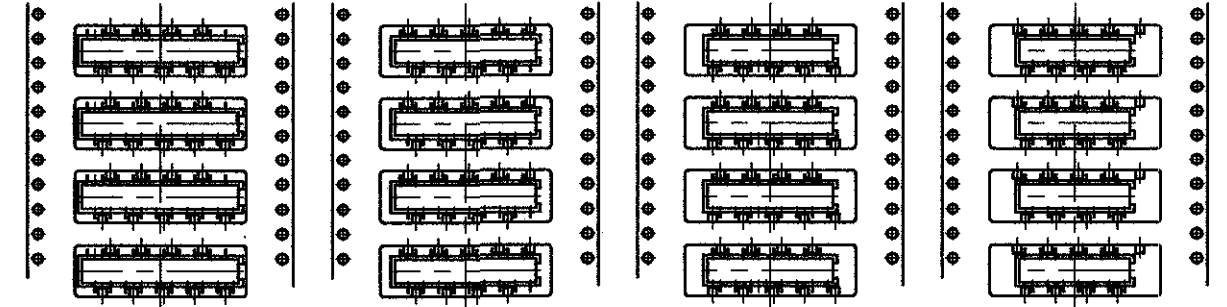
TAPE WIDTH 24mm (2x)



7-188275-6

7-188275-4

TAPE WIDTH 44mm (4x)



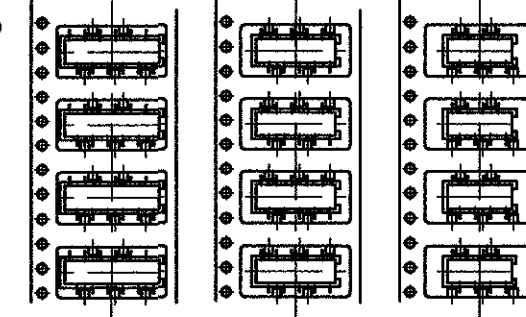
2-188275-0

1-188275-8

1-188275-6

1-188275-4

TAPE WIDTH 24mm (3x)

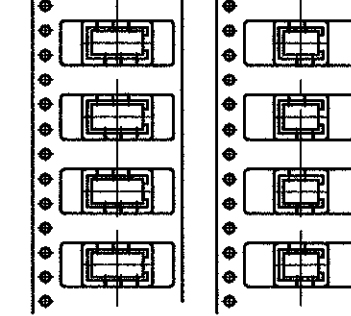


1-188275-2

1-188275-0

0-188275-8

TAPE WIDTH 24mm (2x)



0-188275-6

0-188275-4

PARTNUMBER	PARTNUMBER
7-188275-4	0-188275-4
7-188275-6	0-188275-6
7-188275-8	0-188275-8
8-188275-0	1-188275-0
8-188275-2	1-188275-2
8-188275-4	1-188275-4
8-188275-6	1-188275-6
8-188275-8	1-188275-8
9-188275-0	2-188275-0

					FINISH	MATERIAL	PARTNUMBER
-	-	-	-	-	-	-	CUSTOMER DRAWING FOR REFERENCE ONLY WILL NOT BE UPDATED
-	-	-	-	-	-	-	© COPYRIGHT 19- BY AMP HOLLAND B.V. ALL INTERNATIONAL RIGHTS RESERVED. AMP PRODUCTS MAY BE COVERED BY U.S. AND FOREIGN AND/OR PATENTS PENDING.
-	-	-	-	-	-	-	THIS DRAWING IS UNPUBLISHED RELEASED FOR PUBLICATION , 19
-	-	-	-	-	-	-	<b>AMP</b> AMP HOLLAND B.V. 's-Hertogenbosch, The Netherlands.
-	-	-	-	-	-	-	NAME MICRO-MATCH SMD FEMALE TOP ENTRY (AUTOMATIC P&P)
LTR.	REVISION RECORD	DR.	CHK.	DATE			
DR.:	-	CHK.:	-	APP.:	-	DWG.No.	REV.LTR. SHEET
DATE:	-	DATE:	-	DATE:	-	188275	K 2 OF 2

SEE SHEET 1