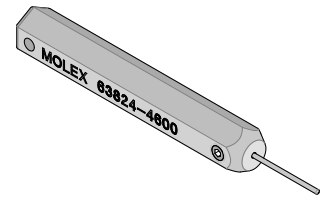


**Order Number
63824-4600**



Application Tooling Specification

FEATURES

- The 63824-4600 extraction tool is designed to remove crimp terminals from Nano-Fit power and 2.0 Wire-to-Board connectors.

SCOPE

Products: Nano-Fit Power and 2.0 Wire-to-Board Connectors and Crimp Terminals, 20-26 AWG and 0.30-0.50mm² Wire.

Terminal Series No.	Terminal Order No.	Housing Series No.	Housing Order No.						
105300 20-26 AWG Nano-Fit	105300-1100 105300-1200 105300-1300 105300-1400 105300-2100 105300-2200 105300-2300 105300-2400	Without TPA Feature							
		105307	105307-1102	105307-1103	105307-1104	105307-1105	105307-1106		
			105307-1107	105307-1108	105307-2101	105307-2103	105307-2104		
			105307-2105	105307-2106	105307-2107	105307-2108			
		105308	105308-1102	105308-1103	105308-1104	105308-1105	105308-1106		
			105308-1107	105308-1108	105308-1110	105308-1112	105308-1114		
			105308-1116	105308-2101	105308-2103	105308-2104	105308-2105		
			105308-2106	105308-2107	105308-2108	105308-2110	105308-2112		
			105308-2114	105308-2116					
		With TPA Feature							
		105307	105307-1202	105307-1203	105307-1204	105307-1205	105307-1206		
			105307-1207	105307-1208	105307-2202	105307-2203	105307-2204		
			105307-2205	105307-2206	105307-2207	105307-2208			
		105308	105308-1202	105308-1203	105308-1204	105308-1205	105308-1206		
			105308-1207	105308-1208	105308-1210	105308-1212	105308-1214		
			105308-1216	105308-2202	105308-2203	105308-2204	105308-2205		
			105308-2206	105308-2207	105308-2208	105308-2210	105308-2212		
			105308-2214	105308-2216					
503116 0.30-0.50mm ² 2.0 WTB	503116-0102	206583	206583-0161	206583-0241					

DESCRIPTION

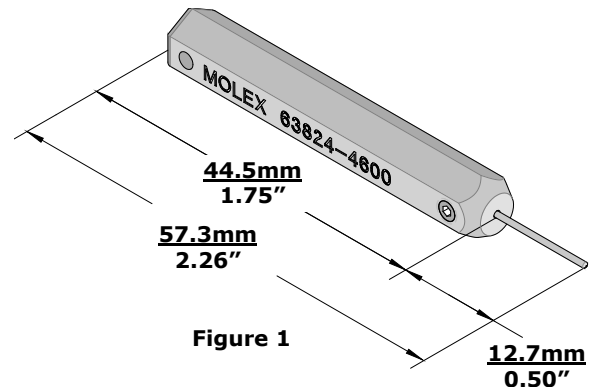
This extraction tool is 57.3mm (2.26") long, 6.35mm (.250") in diameter and weighs about 0.03kg (1 oz.). See Figure 1.

105307/105308 Housing Series

TPA Latch

Before terminals can be extracted, the TPA latch must first be opened on all Nano-Fit power connectors that have the TPA feature. See chart above.

1. Using a small screwdriver, insert the flat edge under the tab of the TPA lock. See Figure 2.
2. Pull up and push out toward the crimped wire.
3. Repeat this on the opposite side of the TPA lock. The TPA lock should be removed completely from the power connector.



OPERATION

Follow the steps below to remove a damaged crimped wire from the Nano-Fit power connector:

1. Position the blade of the extraction tool into the slot (in line with the crimped terminal to be removed) in the front face of the housing as shown in Figure 3.
2. Push the terminal forward in the direction of the arrow before using the extraction tool as shown in Figure 4.
3. Insert the extraction tool into the slot of the connector housing. Push the extraction tool into the slot until it clicks or comes to a stop. Do not force the tool any farther; otherwise, it may damage the housing.
4. Depress the terminal tang and push the terminal back through the connector slot.

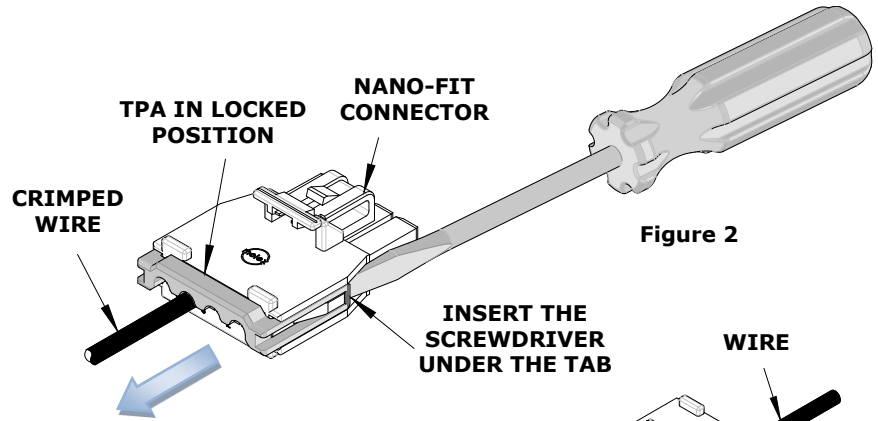


Figure 2

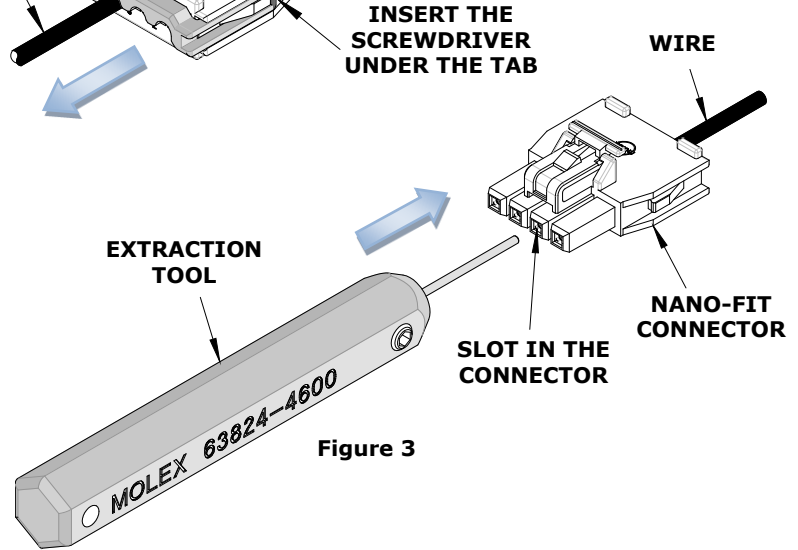


Figure 3

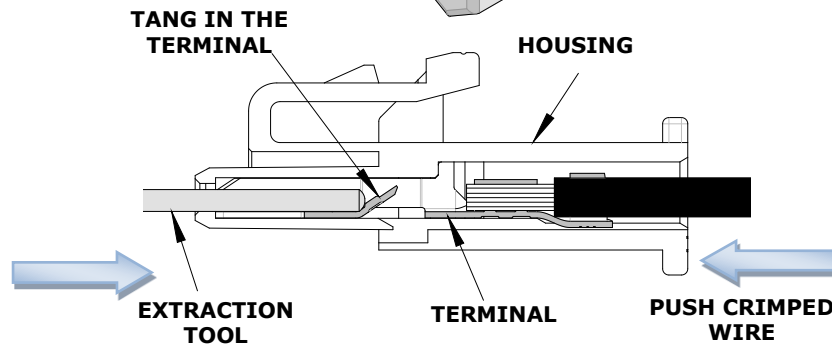


Figure 4

5. Holding the extraction tool against the housing, gently pull the crimped wire out of the connector. See Figure 5.

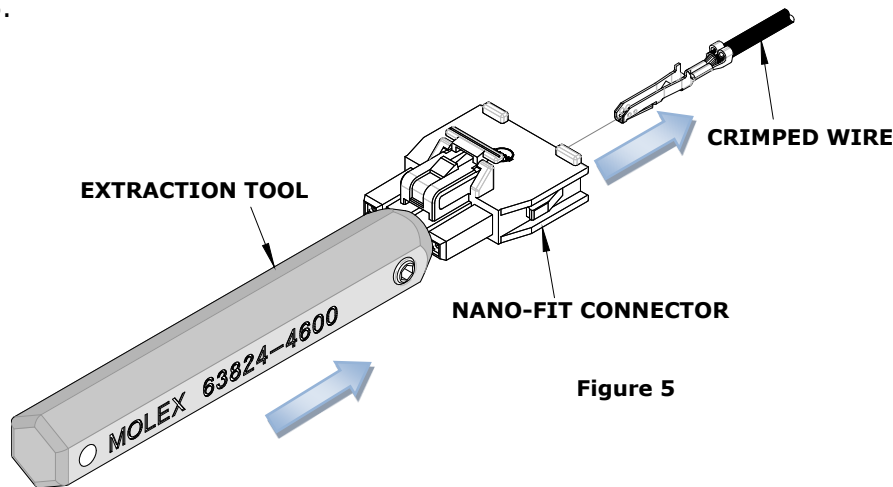


Figure 5

Note

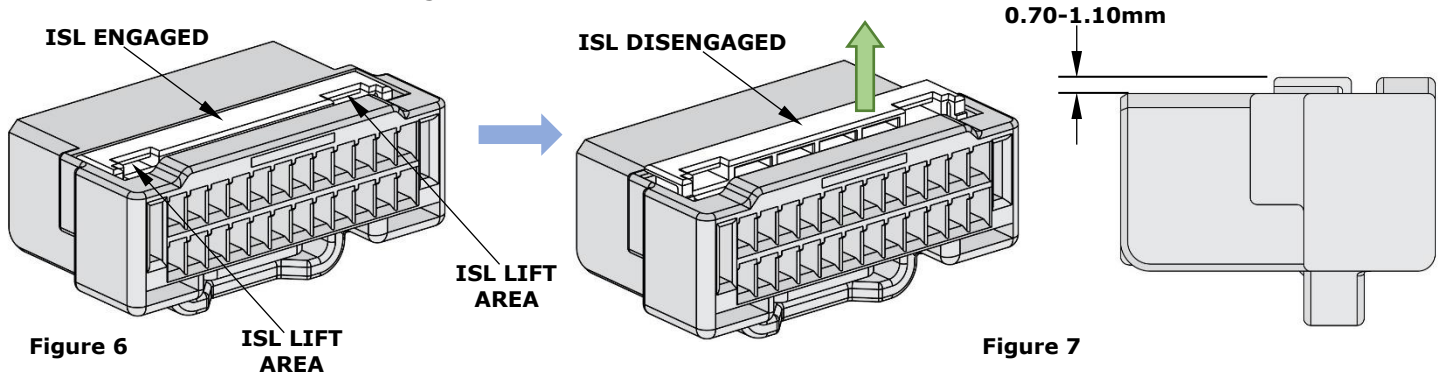
Removing a terminal in this manner damages the locking tangs such that the terminal is not reusable.

206583 Housing Series

ISL Latch

Before terminals can be extracted, the ISL must first be lifted to enable terminal extraction.

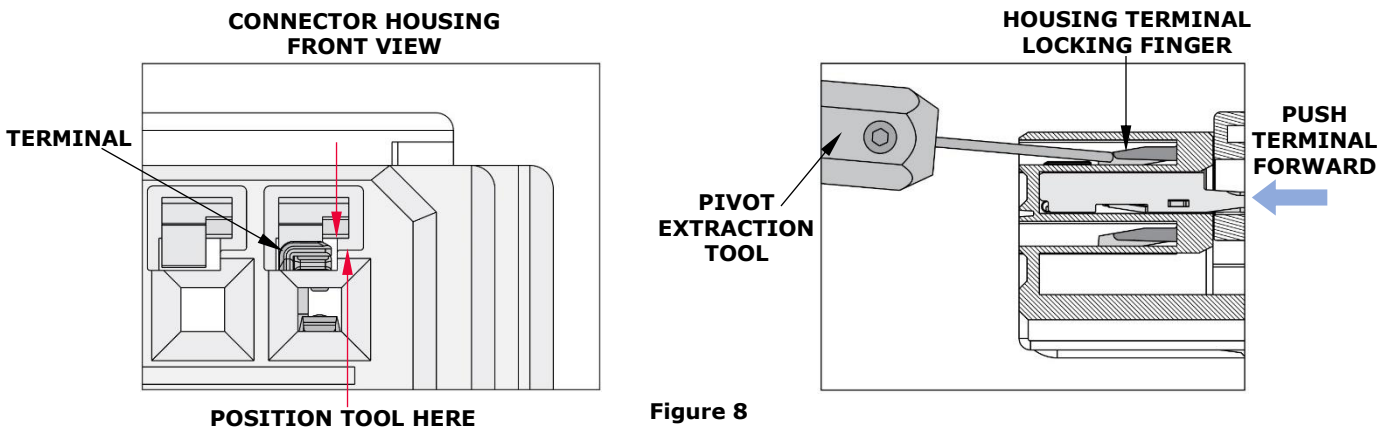
1. Using a small screwdriver, insert the flat edge under the lift area of the ISL. See Figure 6.
2. Lift up on one side of the ISL to move it to the disengaged position. See Figure 7.
3. Repeat this on the opposite side of the ISL. The ISL does not need to be removed from the connector housing.



OPERATION

Follow the steps below to remove a damaged crimped wire from the 2.0 WTB connector housing:

1. Push the terminal forward in the direction of the arrow before using the extraction tool as shown in Figure 8.
2. Position the extraction tool on an angle to wedge between the lift side of the housing terminal locking finger and the opposing housing wall feature. Once the extraction tool is positioned between these housing features, position the extraction tool in line with the terminal and push the extraction tool into the housing cavity until it comes to a stop. Do not force the tool any farther; otherwise, it may damage the housing.
3. Gently pivot the extraction tool to lift the housing terminal locking finger away from the terminal. See Figure 8.



4. Holding the extraction tool against the housing and prying, gently pull the crimped wire out of the connector. See Figure 5.

Note

Do not use the connector housing after extracting any terminals.

CAUTION: This extraction tool should be used to extract the terminal or seal cap only. Using it for unintended purposes may cause personal injury or damage to parts. Be careful not to deform the end of the terminal. Avoid lifting the housing terminal locking finger too high.

CAUTION: Molex specifications are valid only when used with Molex terminals, applicators and tooling.

Molex does not offer repair parts for extraction tools due to the inexpensive nature of these tools.

Application Tooling Support

Phone: (402) 458-TOOL (8665)

E-Mail: toolingsupport@molex.com

Website: www.molex.com/applicationtooling

Molex is a registered trademark of Molex, LLC in the United States of America and may be registered in other countries; all other trademarks listed herein belong to their respective owners.