



**Complete device, front**



Powering Business Worldwide™

**Part no. M22-WRK/K10**

**Article no. 216518**


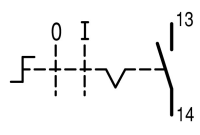
Thumb-grip, black

Maintained/momentary function, can be changed with coding parts M22-XC-Y, → Engineering

Switch positions 0, I and II correspond with the position of the actuator as viewed from the front.

Bezel gold-plated → #274150

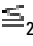
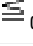
### Program

Product range			RMQ-Titan (drilling dimensions 22.5 mm)
Basic function			Selector switch actuators
Single unit/Complete unit			Complete unit
Description			Thumb-grip colour black Stay-put/spring-return function, can be changed with coding parts M22-XC-Y
Function			2 positions, maintained
Auxiliary contacts:  = safety function, by positive opening to IEC/EN 60947-5-1			
N/O = Normally open			1 N/O
Contact sequence			
Front ring			Bezel: Silver
Connection to SmartWire-DT			no

### Approbationen

UL approval	Yes
CSA approval	Yes
Product Standards	IEC/EN 60947-5; UL 508; CSA-C22.2 No. 14-05; CSA-C22.2 No. 94-91; CE marking
UL File No.	E29184
UL CCN	NKCR
CSA File No.	012528
CSA Class No.	3211-03
NA Certification	UL listed, CSA certified
Degree of Protection	UL/CSA Type 3R, 4X, 12, 13

### General

Standards			IEC/EN 60947 VDE 0660
Lifespan, mechanical	Operations	x 10 <sup>6</sup>	> 0.1
Operating frequency	Operations/h		 2000
Operating torque (screw terminals)		Nm	 0.3
Protection type			IP66
Climatic proofing			Damp heat, constant to IEC 60068-2-78 Damp heat, cyclic to IEC 60068-2-30
Ambient temperature		°C	
Open		°C	- 25 - + 70
Mounting position			As required
Mechanical shock resistance		g	30 Shock duration 11 ms Sinusoidal according to IEC 60068-2-27

### Technical data according to ETIM 4.0

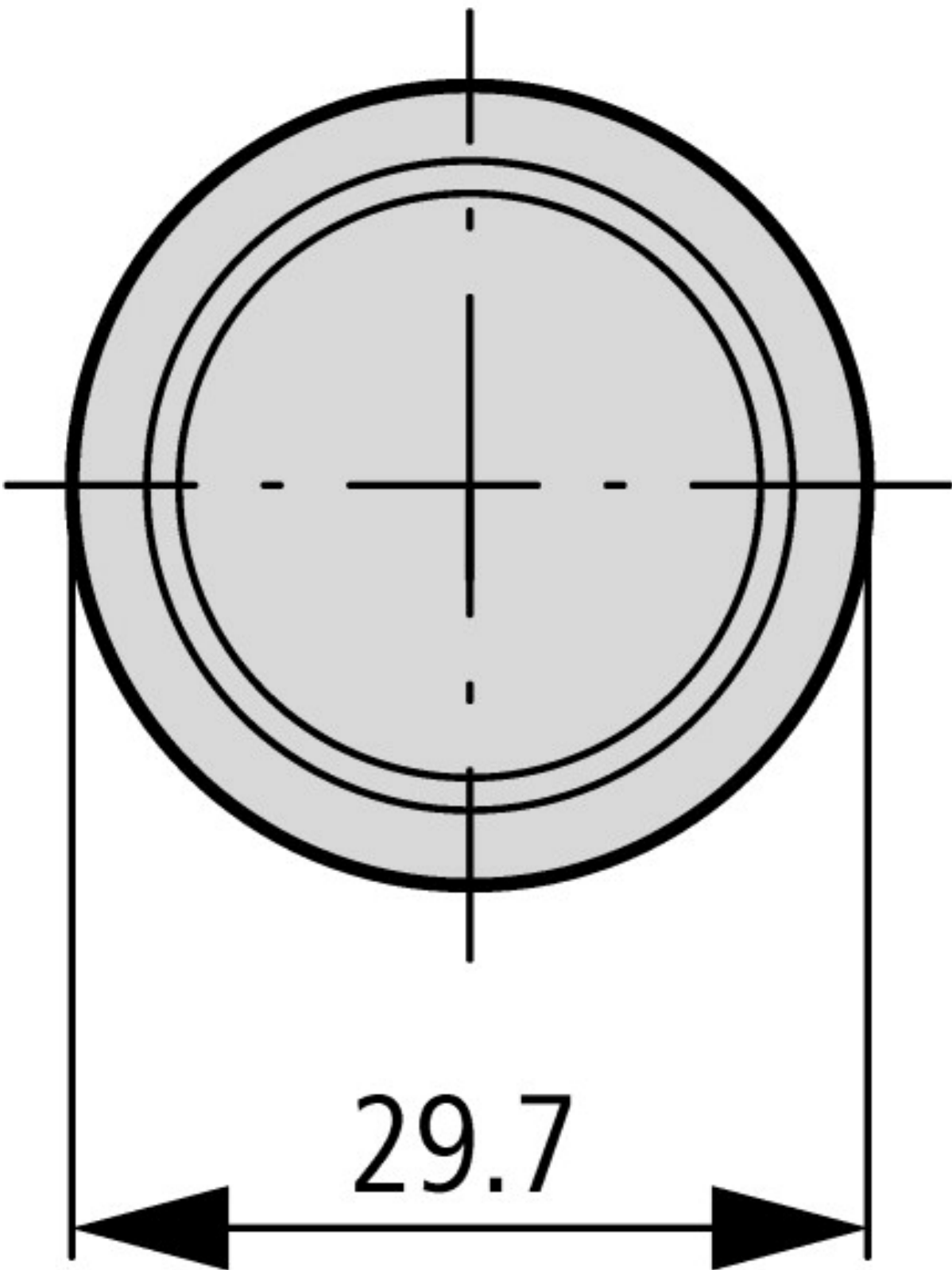
Color bezel			Chrome
Suitable for illumination			No
Lens design			Round
Protection type (IP), at front			IP66
Material front ring			Insulated material
Momentary			YES
Number of switch positions			2
Color actuator			black
Hole diameter		mm	22
With bezel			YES
Width of opening		mm	22
Height meter opening		mm	6

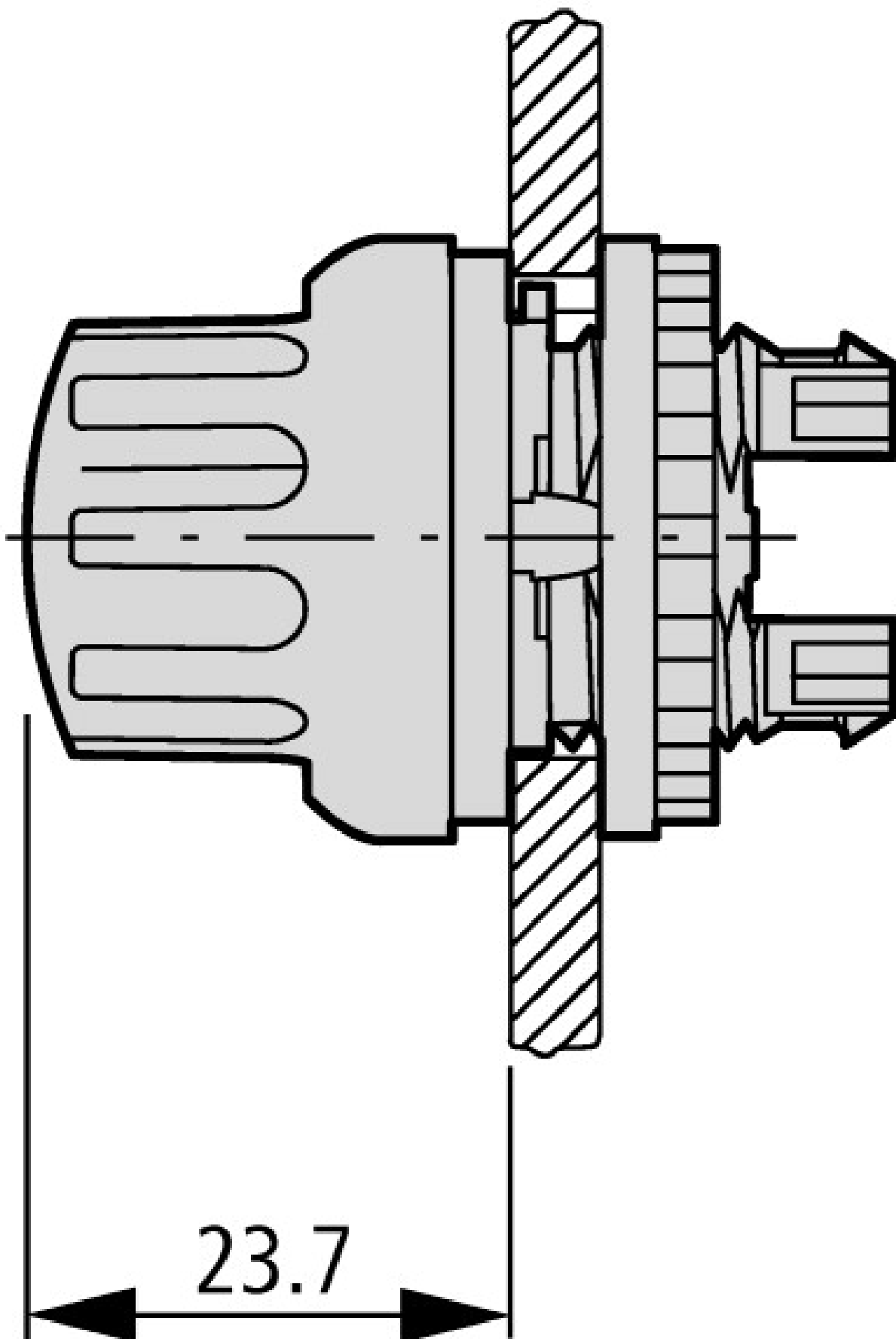
## CAD-Data

Product standards CAD data:

<http://eaton-moeller.partcommunity.com>

## Dimensions





#### Additional product information (links)

IL04716002Z (AWA1160-1745) RMQ-Titan System

[ftp://ftp.moeller.net/DOCUMENTATION/AWA\\_INSTRUCTIONS/IL04716002Z2011\\_03.pdf](ftp://ftp.moeller.net/DOCUMENTATION/AWA_INSTRUCTIONS/IL04716002Z2011_03.pdf)

#### Engineering

Key to part numbers

[ftp://ftp.moeller.net/DOCUMENTATION/PDF/GB/TYPENSCHLUESSEL\\_RMQ-TITAN\\_de.pdf](ftp://ftp.moeller.net/DOCUMENTATION/PDF/GB/TYPENSCHLUESSEL_RMQ-TITAN_de.pdf)

Ordering example for custom complete units

[ftp://ftp.moeller.net/DOCUMENTATION/PDF/GB/Bestellbeispiel\\_F0315\\_COMBINATION\\_de.pdf](ftp://ftp.moeller.net/DOCUMENTATION/PDF/GB/Bestellbeispiel_F0315_COMBINATION_de.pdf)

Order form for custom complete units

[ftp://ftp.moeller.net/DOCUMENTATION/PDF/GB/FORM\\_F0315\\_Combination\\_de.pdf](ftp://ftp.moeller.net/DOCUMENTATION/PDF/GB/FORM_F0315_Combination_de.pdf)

Dimensions

[ftp://ftp.moeller.net/DOCUMENTATION/PDF/GB/DIM\\_RMQ-Titan\\_Wahltasten\\_G.pdf](ftp://ftp.moeller.net/DOCUMENTATION/PDF/GB/DIM_RMQ-Titan_Wahltasten_G.pdf)

