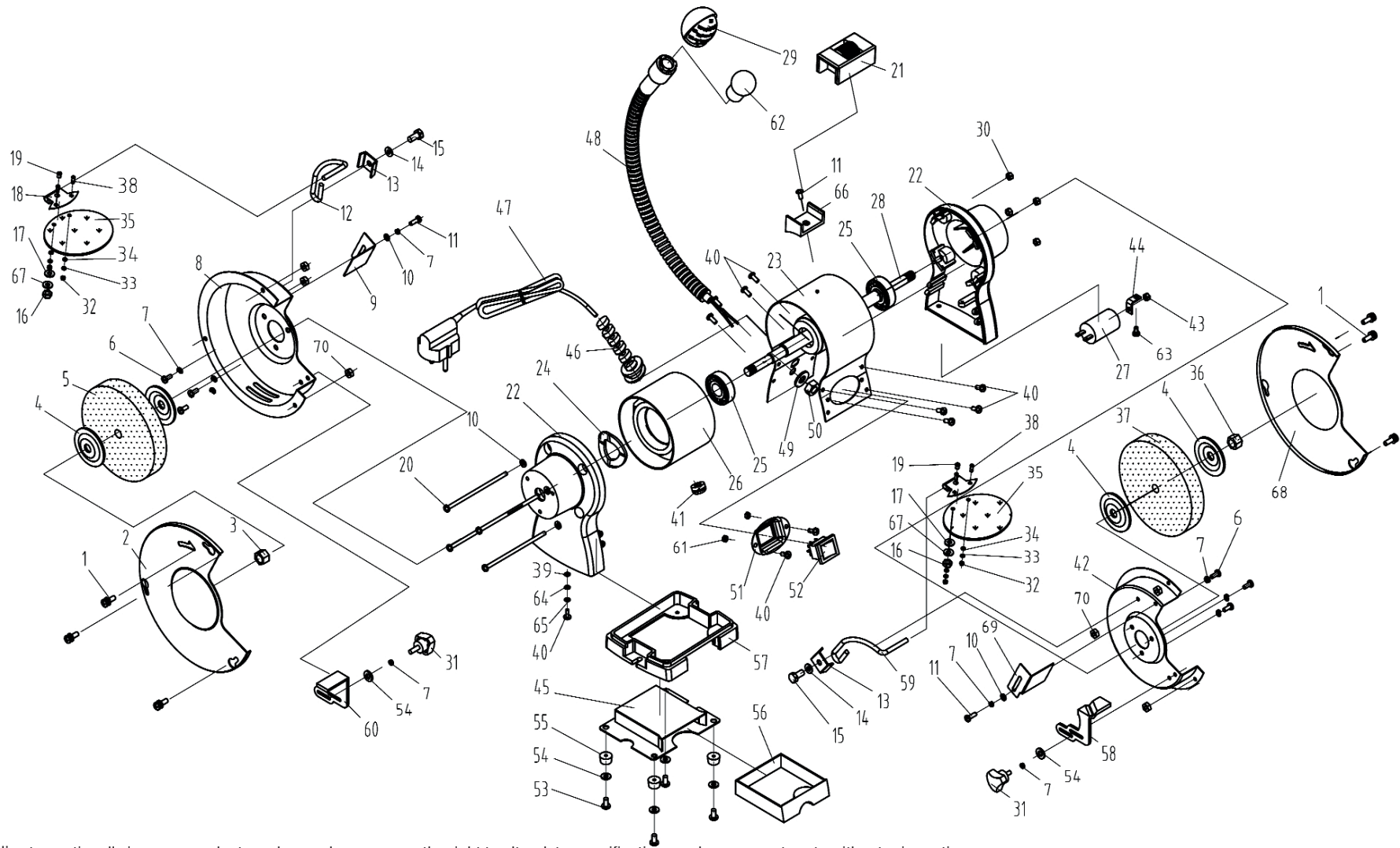




Parts Information:
Bench Grinder Ø200mm with Work Light 550W/230V
Model No: BG200WL



NOTE: It is our policy to continually improve products and as such we reserve the right to alter data, specifications and component parts without prior notice.

IMPORTANT: No liability is accepted for incorrect use of product.

WARRANTY: Guarantee is 12 months from purchase date, proof of which will be required for any claim.

Sealey Group, Kempson Way, Suffolk Business Park, Bury St Edmunds, Suffolk. IP32 7AR



01284 757500



01284 703534



sales@sealey.co.uk



www.sealey.co.uk



Parts Information:
**Bench Grinder Ø200mm with Work Light
550W/230V
Model No: BG200WL**

Item	Part No.	Description
1	MSP516.SB	Machine Screw Pan Head Black M5x16mm
2	BG200WL.02	Left Guard Cover
3	BG200WL.03	M14 x 1.5 Fine Pitch Flange Nut
4	BG200WL.04	Wheel Flange
5	BG200/15	Grinding Stone Ø200 X 25Mm 16Mm Bore A60P Fine
6	MSP510.SB	Machine Screw Pan Head Phillips M5x10mm Black
7	SWM5.SB	Spring Washer M5 Black (Single)
8	BG200WL.08	Left Guard Inner Cover
9	BG200WL.09	Left Spark Deflector
10	FWM5.SB	Flat Washer M5 Black (Single)
11	MSP58.SB	Machine Screw Pan Head Phillips M5x8mm Black
12	BG200WL.12	Left Eyeshield Mount Rod
13	BG200WL.13	Bracket
14	FWM6.SB	Flat Washer M6 Black (Single)
15	BG200WL.15	Hex Bolt M6X14
16	SN6.S	Steel Nut M6 Zinc Din934 (Single)
17	FWM6.SB	Flat Washer M6 Black (Single)
18	BG200WL.18	Eyeshield Plate
19	CBN618.SB	Coach Bolt M6x18mm Black
20	MSP5155.S	Machine Screw Pan Head Phillips M5x155mm (Single)
21	BG200WL.21	Wheel Dressing Tool
22	BG200WL.22	End Cap
23	BG200WL.23	Motor Housing
24	BG200WL.24	Wavy Washer 39mm
25	BG200WL.25	Ball Bearing (180203)
26	BG200WL.26	Stator
27	BG200WL.27	Capacitor 10uF 450V
28	BG200WL.28	Rotor
29	BG200WL.29	Lamp With Protective Guard
30	SN5.SB	Steel Nut M5 Black (Single)
31	BG200WL.31	Work Rest Lock Knob
32	SN4.S	Steel Nut M4 Zinc Din934 (Single)
33	SWM4.SB	Spring Washer M4 Black (Single)
34	FWM4.SB	Flat Washer M4 Black (Single)
35	BG200WL.35	Eyeshield

Item	Part No.	Description
36	BG200WL.36	Nut M16(Left Hand Thread)
37	BG200/16	Grinding Stone Ø200 X 25Mm 16Mm Bore A36Q Coarse
38	DAS151.14	Screw (M4x10)
39	BG200WL.39	Toothed Locking Washer 4mm
40	MSP410.SB	Machine Screw Pan Head Phillips M4x10mm Black
41	BG200WL.41	Cord Bushing
42	BG200WL.42	Right Guard Inner Cover
43	SN8.S	Steel Nut M8 Zinc Din934 (Single)
44	BG200WL.44	Capacitor Stand
45	BG200WL.45	Base Plate Ass'y
46	BG200WL.46	Strain Relief
47	MC3CX0.75	Mains Cable Blk, 3 Core, 0.75 mm2
48	BG200WL.48	Lamp Assembly
49	SWM10.SB	Spring Washer M10 Black(Single)
50	NLN10.S	Nyloc Nut M10 Zinc (Single)
51	BG200WL.51	Switch Plate
52	BG200WL.52	Switch
53	SCB545.SB	Socket Head Cap Screw M5x45 Black
54	RW519.S	Repair Washer M5x19 (Single)
55	BG200WL.55	Rubber Foot
56	BG200WL.56	Tool Tray
57	BG200WL.57	Base
58	BG200WL.58	Right Movable Work Rest
59	BG200WL.59	Right Eyeshield Mount Rod
60	BG200WL.60	Left Work Rest
61	SN4.S	Steel Nut M4 Zinc Din934 (Single)
62	BG200WL.62	Bulb
63	MSP410.SB	Machine Screw Pan Head Phillips M4x10mm Black
64	FWM4.SB	Flat Washer M4 Black (Single)
65	SWM4.SB	Spring Washer M4 Black (Single)
66	BG200WL.66	Dressing Tool Base
67	FWM6.SB	Flat Washer M6 Black (Single)
68	BG200WL.68	Right Guard Cover
69	BG200WL.69	Right Spark Deflector
70	NLN5.S	Nyloc Nut M5 Zinc Din 985 (Single)

NOTE: It is our policy to continually improve products and as such we reserve the right to alter data, specifications and component parts without prior notice.

IMPORTANT: No liability is accepted for incorrect use of product.

WARRANTY: Guarantee is 12 months from purchase date, proof of which will be required for any claim.

Sealey Group, Kempson Way, Suffolk Business Park, Bury St Edmunds, Suffolk. IP32 7AR



01284 757500



01284 703534



sales@sealey.co.uk



www.sealey.co.uk