

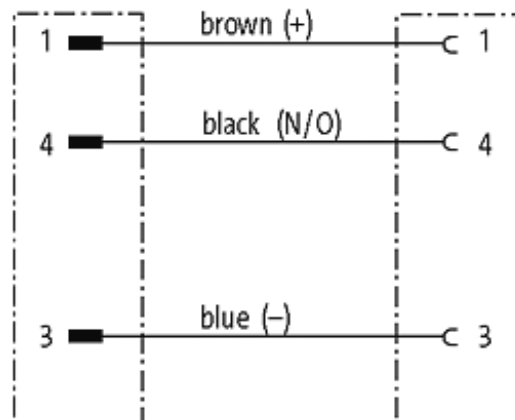
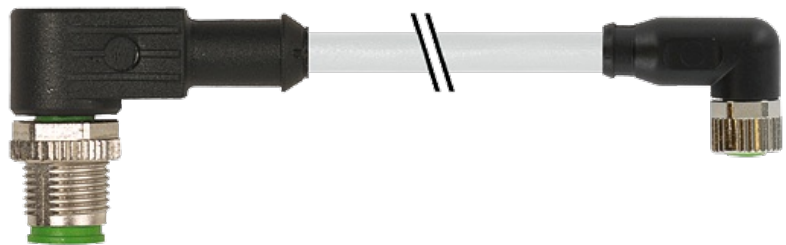
**M12 male 90° / M8 female 90°**

PUR 3x0.25 gy UL/CSA+robot+drag chain 1,5m

Male 90° to female 90°

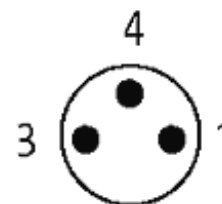
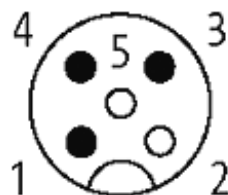
M12 - M8, 3-pole

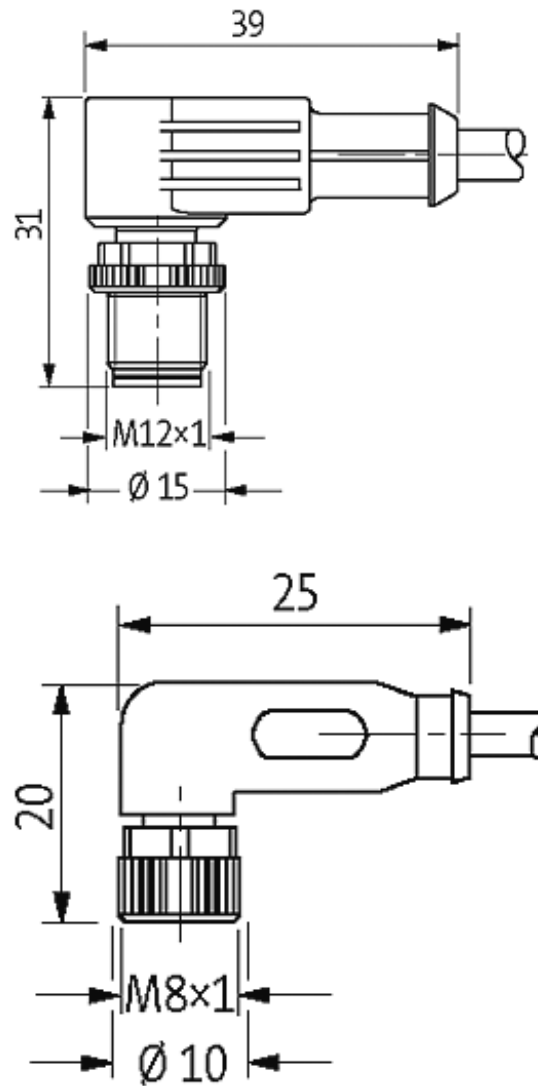
Plastic housings with good resistance against chemicals and oils. The resistance to aggressive media should be individually tested for your application. Further details on request. Further cable lengths on request.

**[Link to Product](#)****Illustration**

Male

Female





Product may differ from Image

### Approvals



### Form

40681

### Technical Data

|                               |   |
|-------------------------------|---|
| Protection                    | IP67 inserted and tightened (EN 60529)                                    |
| Locking of ports              | Screw thread M8/M12 × 1 mm (recommended torque 0.4/0.6 Nm), self-securing |
| Operating voltage             | max. 250 V AC/DC  |
| Operating current per contact | max. 4 A  |

### Cables

|              |     |
|--------------|-----|
| Cable number | 250 |
|--------------|-----|

|                             |                                  |
|-----------------------------|----------------------------------|
| No./diameter of wires       | 3 × 0.25 mm <sup>2</sup>         |
| Wire isolation              | PP (br, bl, bk)                  |
| C-track properties          | 10 Mio.                          |
| Torsion                     | 1 Mio. ± 360°/m                  |
| Jacket Color                | gray                             |
| Shore hardness outer jacket | 58 ± 3D                          |
| Material (jacket)           | PUR (UL/CSA), welding spark res. |
| Outer diameter              | approx. 4.3 mm                   |
| Bend radius (fixed)         | 5 × outer Ø                      |
| Bend radius (moving)        | 10 × outer Ø                     |
| Temperature range (fixed)   | -40...+90 °C                     |
| Temperature range (mobile)  | -25...+90 °C                     |

#### General data

|                   |  |
|-------------------|--|
| Temperature range | -25...+85 °C, depending on cable quality |
|-------------------|--|

#### Commercial data

|                        |          |
|------------------------|----------|
| country of origin      | DE       |
| customs tariff number  | 85444290 |
| minimum order quantity | 1        |