

M12 MALE 90° / MSUD VALVE PLUG FORM A 18MM

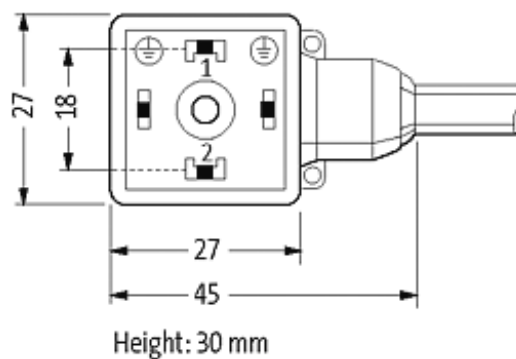
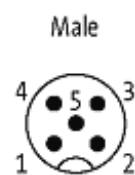
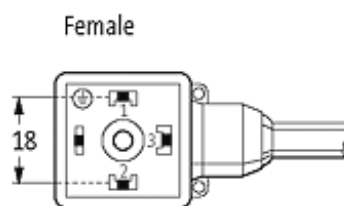
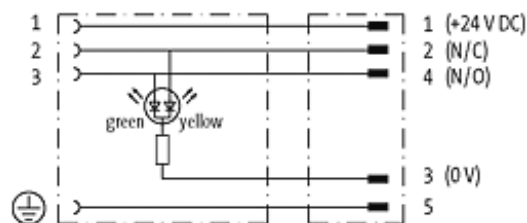
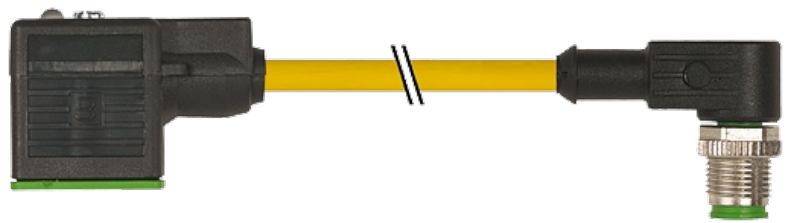
PVC 5X0.34 YELLOW, 2m

Form A (18 mm) – M12, male 90°
for pressure switches
LED (yellow/green)
5-pole

Further cable lengths on request. Plastic housings with good resistance against chemicals and oils. The resistance to aggressive media should be individually tested for your application. Further details on request.

[Link to Product](#)

Illustration





Product may differ from Image

Approvals



Technical Data

| | |
|-------------------------------|--|
| Operating voltage | 24 V AC/DC $\pm 25\%$ |
| Operating current per contact | max. 4 A |
| Current consumption | approx. 12 mA |
| Housing | Black plastic (gray on request) |
| Locking of ports | M3/M12 \times 1 mm (recommended torque 0.4/0.6 Nm) |
| Protection | IP67 inserted and tightened (EN 60529) |

Cables

| | |
|-----------------------------|---------------------------------|
| Cable number | 015 |
| No./diameter of wires | 5 \times 0.34 mm ² |
| Wire isolation | PVC (br, wh, bl, bk, gnye) |
| Jacket Color | yellow |
| Shore hardness outer jacket | 85 \pm 5A |
| Material (jacket) | PVC (UL/CSA) |
| Outer diameter | approx. 5.2 mm |
| Bend radius (fixed) | 5 \times outer \varnothing |
| Bend radius (moving) | 10 \times outer \varnothing |
| Temperature range (fixed) | -30...+80 °C |
| Temperature range (mobile) | -5...+80 °C |

General data

| | |
|-------------------|--|
| Temperature range | -25...+85 °C, depending on cable quality |
|-------------------|--|

Commercial data

The information in this brochure has been compiled with the utmost care.

Liability for the correctness completeness and topicality of the information is restricted to gross negligence. Version: 05/15

Murrelektronik GmbH | Falkenstraße 3, 71570 Oppenweiler | Fon +49 (71 91) 47-0, Fax +49 (71 91) 47-491000 | shop@murrelektronik.de | shop.murrelektronik.de

| | |
|------------------------|----------|
| country of origin | DE |
| customs tariff number | 85444290 |
| minimum order quantity | 1 |
