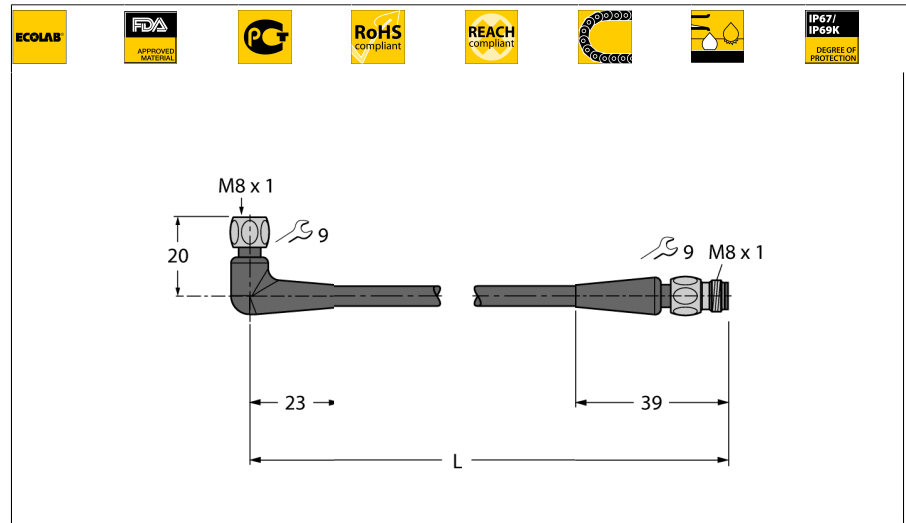


**Food & Beverage Hygienic, TPE
Extension Cable
PKWH4M-2-PSGH4M/TFG**



- M8 female connector, angled, 4-pin
- Stainless steel coupling nut/screw
- M8 male connector, straight, 4-pin
- Sheath material: TPE-O
- Sheath color: light gray RAL 7035
- Qualified for drag chain use
- Resistant to chemicals and microbes
- Weatherproof
- Resistant to hydrolysis acc. to DIN EN 60068-2-78
- Flexible at low temperatures
- Free from silicone and PVC
- Halogen-free acc. to DIN EN 50267-2-1, IEC 60754-1, VDE 0482-267-2-1
- Approvals: Gost, Ecolab, FDA
- RoHS and REACH compliant
- Protection classes IP67, IP69K
- Cable length: 2.0 m

| | |
|-------------------------|---------------------|
| Type designation | PKWH4M-2-PSGH4M/TFG |
| Ident no. | 6934414 |

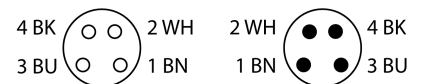
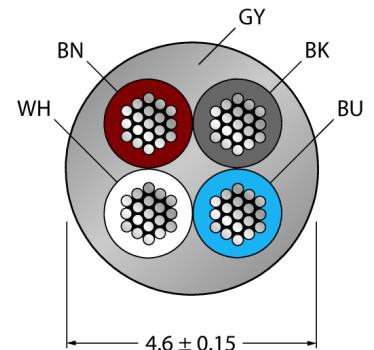
| | |
|-------------------------|---|
| Connector A side | Female connector, M8 (↙ 1, Angled |
| Number of pins | 4 |
| Contacts | Brass, CuZn, Gold-plated |
| Contact carriers | Plastic, PP, Gray |
| Grip | Plastic, PP, Gray |
| Coupling nut/screw | Stainless steel, V4A |
| Seal | Plastic, FPM/FKM |
| Protection class | IP67, IP69K, A + B side screwed together |
| Mechanical lifespan | > 100 Mating cycles |
| Pollution degree | 3 |
| Tightening torque | 0.5 ... 0.6 Nm (observe max. torque of counter piece!) |

| | |
|-------------------------|---|
| Connector B side | Connector, M8x1, Straight |
| Number of pins | 4 pins |
| Contacts | brass, CuZn, Gold-plated |
| Contact carriers | Plastic, PP, Gray |
| Grip | plastic, PP, gray |
| Coupling nut/screw | Stainless steel, V4A |
| Protection class | IP67, IP69K, Only when screwed tight |
| Mechanical lifespan | > 100 Mating cycles |
| Pollution degree | 3 |
| Tightening torque | 0.5 ... 0.6 Nm (observe max. torque of counter piece!) |

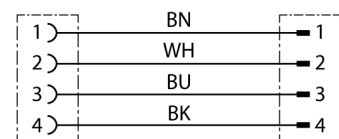
| | |
|------------------------|-----------------------|
| General data | |
| Cable diameter | 4.6 ± 0.15mm |
| Cable length | 2 m |
| Cable quality | TPE-O |
| Cable color | Gray |
| Core insulation | TPE-E |
| Core colors | BN, WH, BU, BK |
| Core cross-section | 4x0.34mm ² |
| Arrangement of strands | 42x0.1 mm |

| | |
|--------------------------------------|------------|
| Electrical features at +20 °C | |
| Current | 4 A |
| Rated voltage | 30 V |
| Nom. Inductance | 0.73 mH/km |
| Nom. capacitance | 82 pF/m |
| Test voltage | 2000 V |

Cable Cross-section



Circuit Diagram



Food & Beverage Hygienic, TPE Extension Cable PKWH4M-2-PSGH4M/TFG

TURCK

Industrial
Automation

Mechanical and chemical properties

| | |
|------------------------------------|------------------------------|
| Max. tensile strength (static) | ≤ 50 N/mm ² |
| Max. tensile strength (dynamic) | ≤ 20 N/mm ² |
| Bending cycles | > 4 mil. |
| Bending radius (stationary laying) | > 5 x Ø |
| Bending radius (flexible use) | > 10 x Ø |
| Admissible acceleration | max. 5 m/s ² |
| Admissible travel path, horizontal | 5 m (at 5 m/s ²) |
| Admissible travel path, vertical | 2 m (at 5 m/s ²) |
| Admissible traversing speed | 3 m/s |
| Torsional stress | ± 180 °/m |
| Ambient temperature | |
| Stationary | -40...+105°C |
| In motion | -25...+105°C |
| Drag chain operation | -25...+60°C |