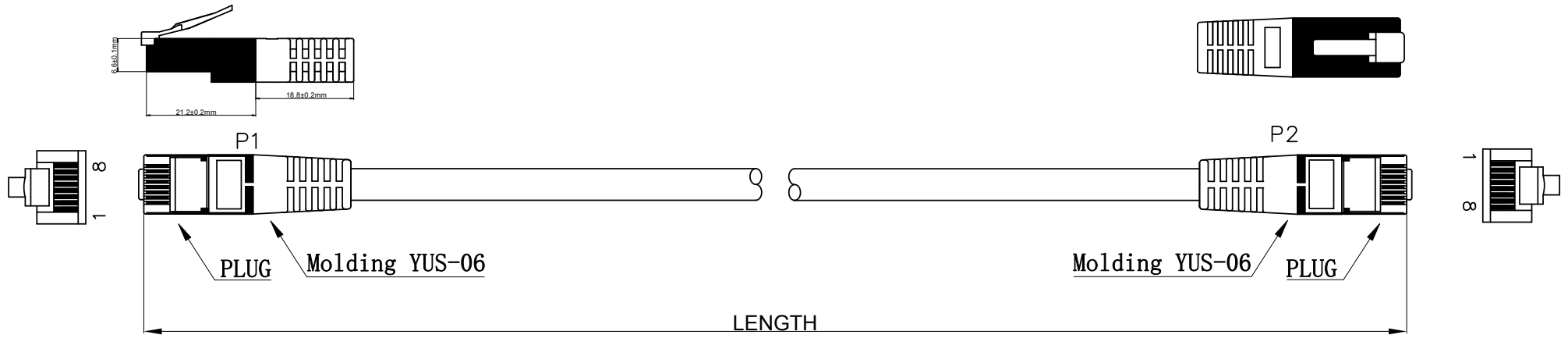
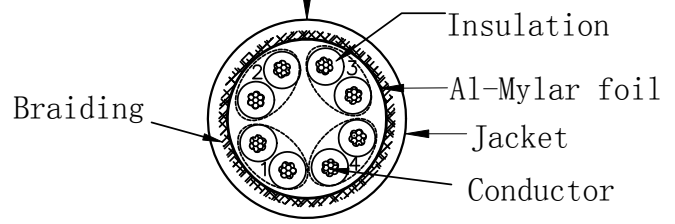


1	2	3	4	5	6	7	8	9	10
CUSTOMER NAME						DATE	REV	DESCRIPTION	BY
CUSTOMER Part No.						2019.08.09	A/0	NEW	LJW



Marking: **roline SFTP CAT.5E PATCH ISO/IEC 11801 & EN 50288 ▲ 26AWGX4P TYPE CMX(UL) c(UL) CMH**
 <LP1043> **E164469-XX**



Minimum Bending Radius: ≥47mm

Conductor	Bare Copper 26AWG
Insulation	Thickness: MIN at any point: 0.15mm MAX AVG: 0.25mm Diameter: 0.85±0.06mm
Jacket	PVC Thickness: MIN at any point: 0.50mm MAX AVG: 0.60mm Diameter: 5.6±0.2mm
Wire	CAT.5E S/FTP 26AWG *4P
Plug	YUS-06 8P8C 50u"
Length	XX
Color	YY

NOTE:
 1. ELECTRICAL TEST:
 <1> 100% OPEN SHORT & MISS WIRE TEST.

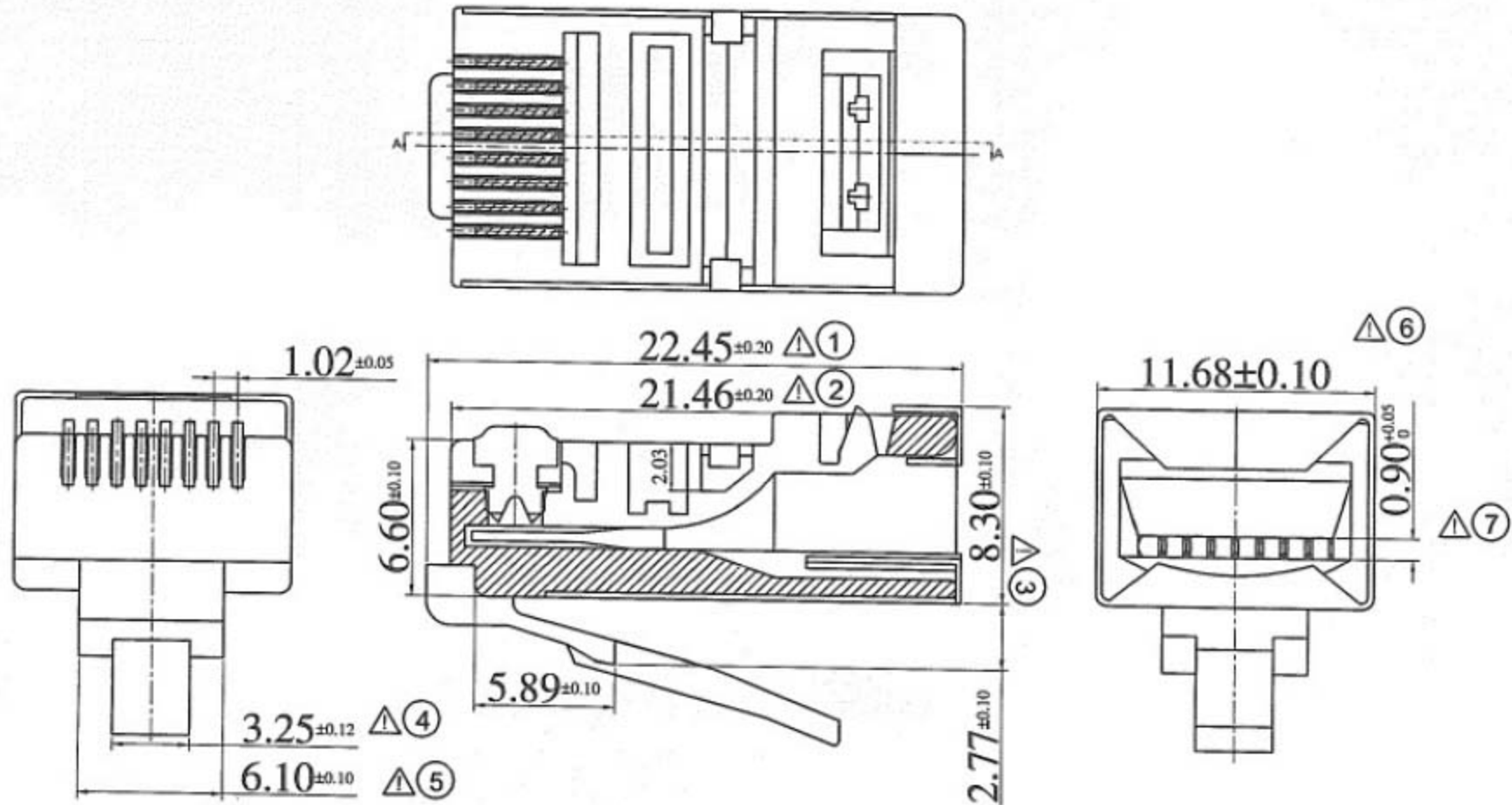
PINOUT			
P1(T568B)		P2(T568B)	WIRE
1	⌘	1	WHT/ORG
2	⌘	2	ORG
3	⌘	3	WHT/GRN
6	⌘	6	GRN
4	⌘	4	BLU
5	⌘	5	WHT/BLU
7	⌘	7	WHT/BRN
8	⌘	8	BRN
S	---	S	---

SECOMP

Part No.			
Description	CAT.5E S/FTP STR 26AWG 4P PVC YUS-06		
UNIT	mm	副處長	CHECKER
PAGE	1/1	2019.08.16	DRAWER
Draw.No.		覃饒	LJW

CUSTOMER NAME
CUSTOMER Part No.

7	8	9	10
DATE	REV	DESCRIPTION	BY
2016.06.16	B/1	NEW	DMW



NOTE TOL:±0.1

Key Size	Tolerance		
	Critical	Normal	General
0-15	±0.05	±0.10	±1.0
15-60	±0.10	±0.20	
60-150	±0.15	±0.35	±1.5
150-350	±0.20	±0.50	
350-1000	±0.40	±0.65	

SECOMP

Part No.				
Description	8P8C 50u" 五類彈片屏蔽端 (孔徑:0.9mm) (保稅料)			
UNIT	mm	APPROVAL	CHECKER	DRAWER
PAGE	1/1			DMW
Draw.No.				

ITEM NO.	Description	Description	公差(單位:MM)
21.15.0385B	ROLINE S/FTP Patchcable Cat.5e, black, 0.5m	LAN PATCH C5E SFTP 26AWG 4P PVC CMX/CMH Molding BK012 0.5M	±15MM
21.15.0335B	ROLINE S/FTP Patchcable Cat.5e, black, 1.0m	LAN PATCH C5E SFTP 26AWG 4P PVC CMX/CMH Molding BK012 1M	±15MM
21.15.0345B	ROLINE S/FTP Patchcable Cat.5e, black, 2.0m	LAN PATCH C5E SFTP 26AWG 4P PVC CMX/CMH Molding BK012 2M	±15MM
21.15.0355B	ROLINE S/FTP Patchcable Cat.5e, black, 3.0m	LAN PATCH C5E SFTP 26AWG 4P PVC CMX/CMH Molding BK012 3M	+15/-20MM
21.15.0365B	ROLINE S/FTP Patchcable Cat.5e, black, 5.0m	LAN PATCH C5E SFTP 26AWG 4P PVC CMX/CMH Molding BK012 5M	±20MM
21.15.0725B	ROLINE S/FTP Cable Cat.5e,black,10m	LAN PATCH C5E SFTP 26AWG 4P PVC CMX/CMH Molding BK012 10M	+40/-20MM
21.15.0735B	ROLINE S/FTP Cable Cat.5e,black,15m	LAN PATCH C5E SFTP 26AWG 4P PVC CMX/CMH Molding BK012 15M	+50/-20MM
21.15.0745B	ROLINE S/FTP Cable Cat.5e,black,20m	LAN PATCH C5E SFTP 26AWG 4P PVC CMX/CMH Molding BK012 20M	+60/-20MM
21.15.0384B	ROLINE S/FTP Patchcable Cat.5e, blue, 0.5m	LAN PATCH C5E SFTP 26AWG 4P PVC CMX/CMH Molding BU608 0.5M	±15MM
21.15.0334B	ROLINE S/FTP Patchcable Cat.5e, blue, 1.0m	LAN PATCH C5E SFTP 26AWG 4P PVC CMX/CMH Molding BU608 1M	±15MM
21.15.0344B	ROLINE S/FTP Patchcable Cat.5e, blue, 2.0m	LAN PATCH C5E SFTP 26AWG 4P PVC CMX/CMH Molding BU608 2M	±15MM
21.15.0354B	ROLINE S/FTP Patchcable Cat.5e, blue, 3.0m	LAN PATCH C5E SFTP 26AWG 4P PVC CMX/CMH Molding BU608 3M	+15/-20MM
21.15.0364B	ROLINE S/FTP Patchcable Cat.5e, blue, 5.0m	LAN PATCH C5E SFTP 26AWG 4P PVC CMX/CMH Molding BU608 5M	±20MM
21.15.0724B	ROLINE S/FTP Cable Cat.5e,blue,10m	LAN PATCH C5E SFTP 26AWG 4P PVC CMX/CMH Molding BU608 10M	+40/-20MM
21.15.0734B	ROLINE S/FTP Cable Cat.5e,blue,15m	LAN PATCH C5E SFTP 26AWG 4P PVC CMX/CMH Molding BU608 15M	+50/-20MM
21.15.0744B	ROLINE S/FTP Cable Cat.5e,blue,20m	LAN PATCH C5E SFTP 26AWG 4P PVC CMX/CMH Molding BU608 20M	+60/-20MM
21.15.0383B	ROLINE S/FTP Patchcable Cat.5e, green, 0.5m	LAN PATCH C5E SFTP 26AWG 4P PVC CMX/CMH Molding GN509 0.5M	±15MM
21.15.0333B	ROLINE S/FTP Patchcable Cat.5e, green, 1.0m	LAN PATCH C5E SFTP 26AWG 4P PVC CMX/CMH Molding GN509 1M	±15MM
21.15.0343B	ROLINE S/FTP Patchcable Cat.5e, green, 2.0m	LAN PATCH C5E SFTP 26AWG 4P PVC CMX/CMH Molding GN509 2M	±15MM
21.15.0353B	ROLINE S/FTP Patchcable Cat.5e, green, 3.0m	LAN PATCH C5E SFTP 26AWG 4P PVC CMX/CMH Molding GN509 3M	+15/-20MM
21.15.0363B	ROLINE S/FTP Patchcable Cat.5e, green, 5.0m	LAN PATCH C5E SFTP 26AWG 4P PVC CMX/CMH Molding GN509 5M	±20MM
21.15.0723B	ROLINE S/FTP Cable Cat.5e,green,10m	LAN PATCH C5E SFTP 26AWG 4P PVC CMX/CMH Molding GN509 10M	+40/-20MM
21.15.0733B	ROLINE S/FTP Cable Cat.5e,green,15m	LAN PATCH C5E SFTP 26AWG 4P PVC CMX/CMH Molding GN509 15M	+50/-20MM
21.15.0743B	ROLINE S/FTP Cable Cat.5e, green, 20m	LAN PATCH C5E SFTP 26AWG 4P PVC CMX/CMH Molding GN509 20M	+60/-20MM
21.15.0300B	ROLINE Patchcable Cat. 5e, S/FTP, grey,0.5m	LAN PATCH C5E SFTP 26AWG 4P PVC CMX/CMH Molding GY825 0.5M	±15MM
21.15.0301B	ROLINE Patchcable Cat. 5e, S/FTP, grey, 1m	LAN PATCH C5E SFTP 26AWG 4P PVC CMX/CMH Molding GY825 1M	±15MM
21.15.0302B	ROLINE Patchcable Cat. 5e, S/FTP, grey, 2m	LAN PATCH C5E SFTP 26AWG 4P PVC CMX/CMH Molding GY825 2M	±15MM
21.15.0303B	ROLINE Patchcable Cat. 5e, S/FTP, grey,3m	LAN PATCH C5E SFTP 26AWG 4P PVC CMX/CMH Molding GY825 3M	+15/-20MM
21.15.0305B	ROLINE Patchcable Cat.5e, S/FTP, grey,5m	LAN PATCH C5E SFTP 26AWG 4P PVC CMX/CMH Molding GY825 5M	±20MM
21.15.0307B	ROLINE Patchcable Cat. 5e, S/FTP, grey,7m	LAN PATCH C5E SFTP 26AWG 4P PVC CMX/CMH Molding GY825 7M	+40/-20MM
21.15.0310B	ROLINE Patchcable Cat.5e, S/FTP, grey,10m	LAN PATCH C5E SFTP 26AWG 4P PVC CMX/CMH Molding GY825 10M	+40/-20MM
21.15.0315B	ROLINE Patchcable Cat. 5e, S/FTP, grey, 15m	LAN PATCH C5E SFTP 26AWG 4P PVC CMX/CMH Molding GY825 15M	+50/-20MM
21.15.0320B	ROLINE Patchcable Cat. 5e, S/FTP, grey, 20m	LAN PATCH C5E SFTP 26AWG 4P PVC CMX/CMH Molding GY825 20M	+60/-20MM
21.15.0381B	ROLINE S/FTP Patchcable Cat.5e, red, 0.5m	LAN PATCH C5E SFTP 26AWG 4P PVC CMX/CMH Molding RD210 0.5M	±15MM
21.15.0331B	ROLINE S/FTP Patchcable Cat.5e, red, 1.0m	LAN PATCH C5E SFTP 26AWG 4P PVC CMX/CMH Molding RD210 1M	±15MM
21.15.0341B	ROLINE S/FTP Patchcable Cat.5e, red, 2.0m	LAN PATCH C5E SFTP 26AWG 4P PVC CMX/CMH Molding RD210 2M	±15MM
21.15.0351B	ROLINE S/FTP Patchcable Cat.5e, red, 3.0m	LAN PATCH C5E SFTP 26AWG 4P PVC CMX/CMH Molding RD210 3M	+15/-20MM
21.15.0361B	ROLINE S/FTP Patchcable Cat.5e, red, 5.0m	LAN PATCH C5E SFTP 26AWG 4P PVC CMX/CMH Molding RD210 5M	±20MM
21.15.0721B	ROLINE S/FTP Cable Cat.5e,red,10m	LAN PATCH C5E SFTP 26AWG 4P PVC CMX/CMH Molding RD210 10M	+40/-20MM
21.15.0731B	ROLINE S/FTP Cable Cat.5e,red,15m	LAN PATCH C5E SFTP 26AWG 4P PVC CMX/CMH Molding RD210 15M	+50/-20MM
21.15.0741B	ROLINE S/FTP Cable Cat.5e,red,20m	LAN PATCH C5E SFTP 26AWG 4P PVC CMX/CMH Molding RD210 20M	+60/-20MM
21.15.0382B	ROLINE S/FTP Patchcable Cat.5e, yellow, 0.5m	LAN PATCH C5E SFTP 26AWG 4P PVC CMX/CMH Molding YE406 0.5M	±15MM
21.15.0332B	ROLINE S/FTP Patchcable Cat.5e, yellow, 1.0m	LAN PATCH C5E SFTP 26AWG 4P PVC CMX/CMH Molding YE406 1M	±15MM
21.15.0342B	ROLINE S/FTP Patchcable Cat.5e, yellow, 2.0m	LAN PATCH C5E SFTP 26AWG 4P PVC CMX/CMH Molding YE406 2M	±15MM
21.15.0352B	ROLINE S/FTP Patchcable Cat.5e, yellow, 3.0m	LAN PATCH C5E SFTP 26AWG 4P PVC CMX/CMH Molding YE406 3M	+15/-20MM
21.15.0362B	ROLINE S/FTP Patchcable Cat.5e, yellow, 5.0m	LAN PATCH C5E SFTP 26AWG 4P PVC CMX/CMH Molding YE406 5M	±20MM
21.15.0722B	ROLINE S/FTP Cable Cat.5e,yellow,10m	LAN PATCH C5E SFTP 26AWG 4P PVC CMX/CMH Molding YE406 10M	+40/-20MM
21.15.0732B	ROLINE S/FTP Cable Cat.5e,yellow,15m	LAN PATCH C5E SFTP 26AWG 4P PVC CMX/CMH Molding YE406 15M	+50/-20MM
21.15.0742B	ROLINE S/FTP Cable Cat.5e,yellow,20m	LAN PATCH C5E SFTP 26AWG 4P PVC CMX/CMH Molding YE406 20M	+60/-20MM