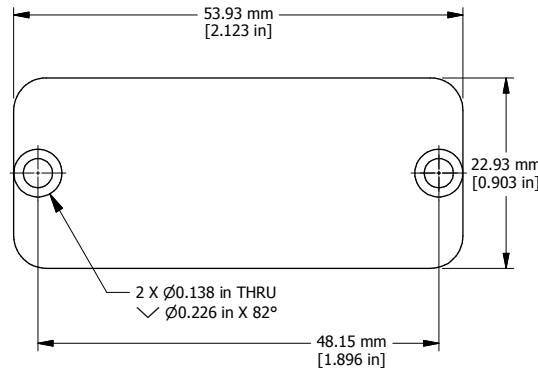
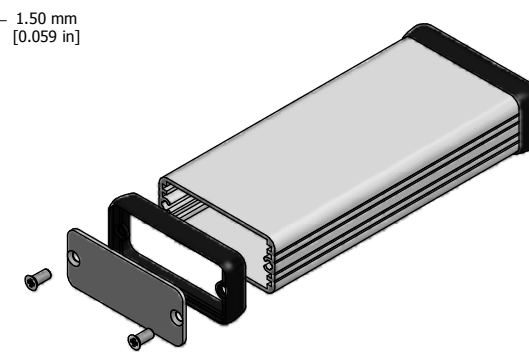


EXTRUSION



END PLATE

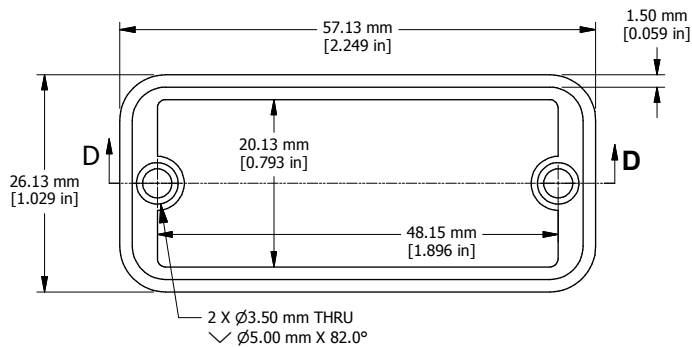


EXPLODED ASSEMBLY VIEW

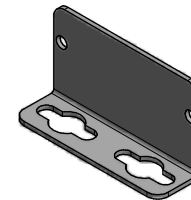
B

B

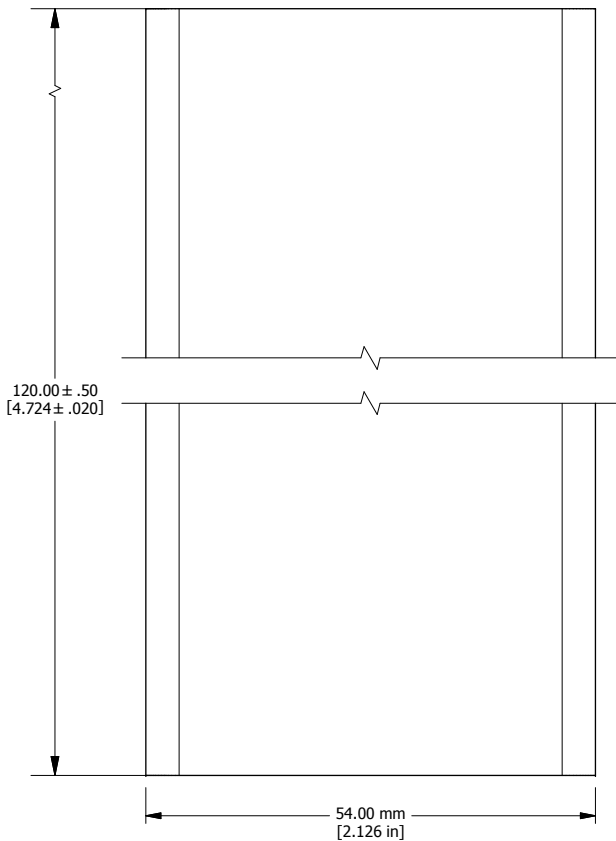
EXTRUSION DESIGNED FOR 50MM WIDE PC BOARD



OPEN BEZEL



OPTIONAL FLANGE END PANELS 1455CF



A

A



SECTION D-D

Enclosures can be Factory Modified (Milling, Drilling, Printing etc.)
 Solid models of this enclosure available in STEP or IGES.
 Contact Factory mjm@hammondmfg.com

| NOTE | |
|--|--|
| Purchased assembly includes box, plastic bezels, end panels, #6 Taptight screws and self adhesive rubber feet. | |
| Box made from Extruded Aluminum 6063. | |
| Bezels made with polycarbonate. | |

| 1455C1201 | |
|------------------------------|-------------|
| PART NUMBERS | |
| Clear Anodized | 1455C1201 |
| Black Anodized | 1455C1201BK |
| Blue Anodized | 1455C1201BU |
| ACCESSORIES | |
| See website for accessories. | |

HAMMOND MANUFACTURING™
1455C1201
www.hammondmfg.com