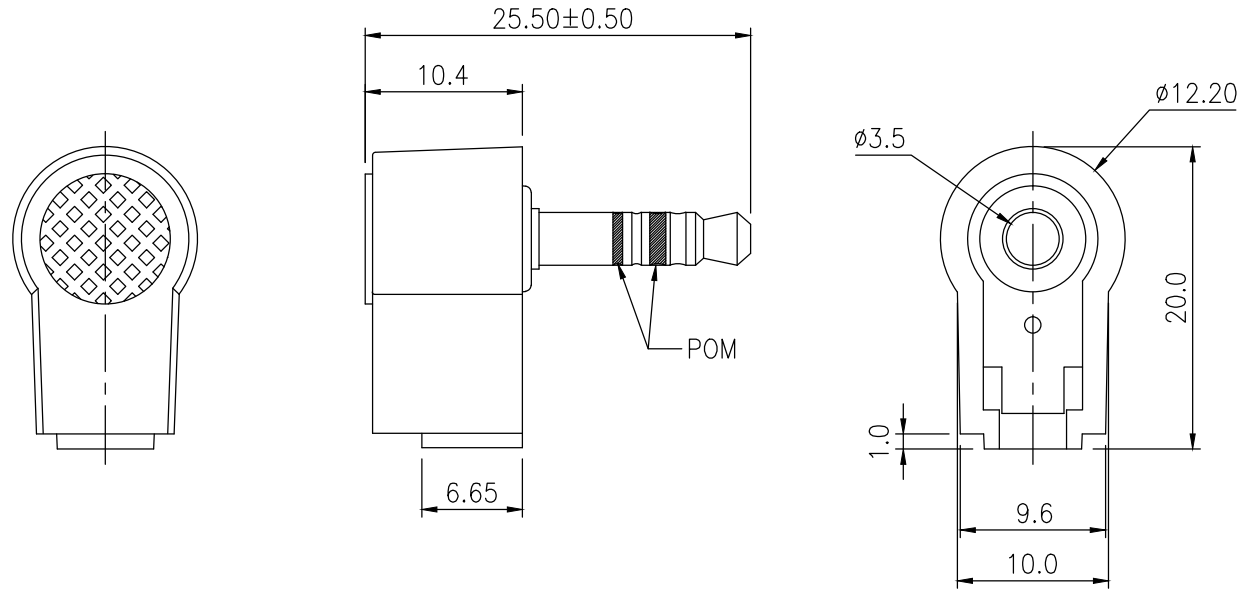


Distributed By:
MCM Electronics
www.mcmelectronics.com

| REV. | DESCRIPTION | DRAWN / DATE | APPROVED / DATE |
|------|-----------------|-----------------|-----------------|
| 0 | INITIAL RELEASE | YANG 06/16/2014 | FROS 06/16/2014 |



MATERIAL:

1. BODY: PE
2. PLUG: BRASS, GOLD-PLATED
3. INSULATOR: NYLON

| | | | | | | | | | | | |
|---|--|---|--|----------|--|-------------|--|------------|--|-----------------|--|
| DIMENSIONS ARE IN mm [INCH] | | TOLERANCES ARE FRACTIONS DECIMALS ANGLES | | MATERIAL | | P/N 27-3153 | | DRAWN YANG | | DATE 06/16/2014 | |
| MOLD NO. | | .X ± 0.20 [0.008] | | FINISH | | PROJECT NO. | | | | | |
| 27-3153 | | .XX ± 0.12 [0.005] | | COLOR | | SCALE 2:1 | | SIZE A4 | | SHEET 1 OF 1 | |
| 3.5mm STEREO PLUG, RIGHT-ANGLED TYPE | | | | | | MS062 | | | | | |