

Clamping Nuts · welded

24470.0616



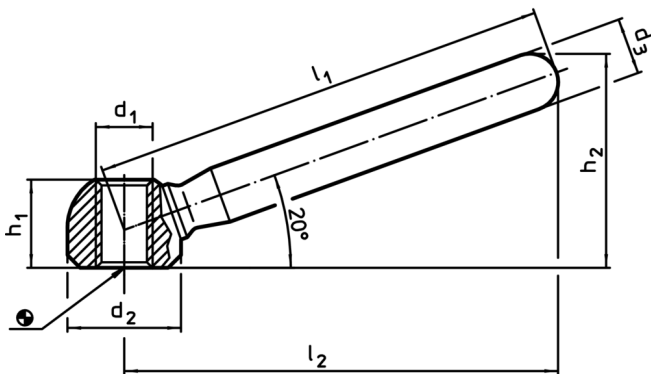
Product Description

Low-price version to DIN 99.

Material

- Stainless steel 1.4301, dull blasted

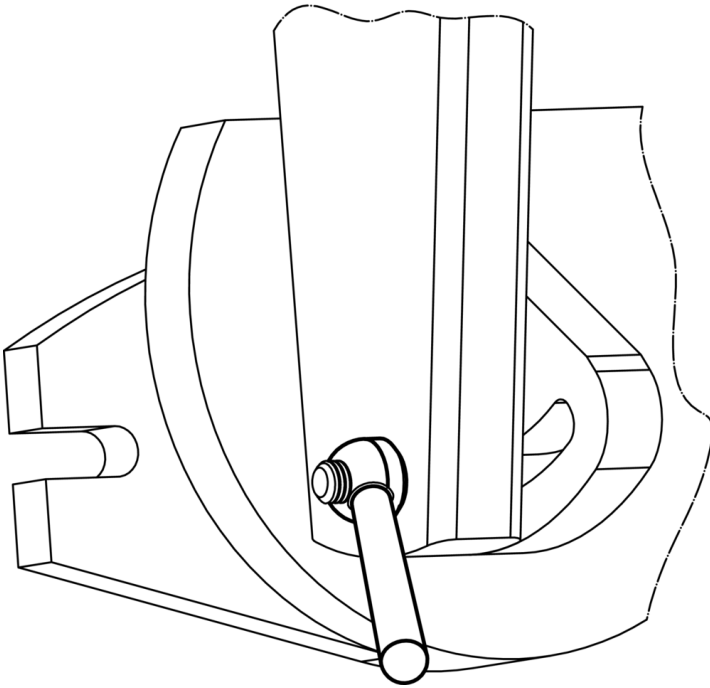
Drawing



Order information

Dimensions							[g]	Art. No.
l_1	l_2 ~	d_1	d_2	d_3	h_1	h_2 ~		
[mm]								
stainless steel								
160	152	M20	40	20	31	73	533	24470.0616

Application example



Compliance

RoHS compliant

Compliant according to Directive 2011/65/EU and Directive 2015/863

Does not contain SVHC substances

No SVHC substances with more than 0.1% w/w contained - SVHC list [REACH] as of 10.06.2022

Does not contain Proposition 65 substances

No Proposition 65 substances included
<https://www.P65Warnings.ca.gov/>

Free from Conflict Minerals

This product does not contain any substances designated as "conflict minerals" such as tantalum, tin, gold or tungsten from the Democratic Republic of Congo or adjacent countries.