

Line laser, red, 658 nm, 90 °, 50 mW

LB658-50-24(40x210)
Order Number: 70115475

Main Parameters (*)	min	typ	max	Unit
Wavelength		658		nm
Optical Output Power		50		mW
Operating Voltage	21.6	24	26.4	V DC
Operating Current	50	100	150	mA
Operating Temperature	-20		50	°C
Storage Temperature	-40		80	°C

Main Data

Warranty 1 years

Technical Parameters

Lifetime > 10,000 h
RoHS yes

Optical Parameters

Beam Shape	Line
Laser Class	2M
Divergence	B - 0.3 mrad
Fan Angle	90 °
Line Thickness	<3mm@7m
Operating Distance	25 m
Optics	glass lens AR coated
Laser technology	diode
Focus	fixed (7.0m)

Electrical Parameters

Potential of Housing isolated

Mechanical Parameters

Size	Ø40x210 mm
Material	aluminium
Cable length	3,000 mm
Wire type	18AWG, black, 3,6mm
Output Aperture	8 mm
Weight	743 g

(*) Over the complete operating temperature range

Features





- Operating Voltage 24 V DC
- Laser Class 2M
- Operating Voltage 24 V DC
- Glas lenses anti reflex coated
- Uniform line thickness

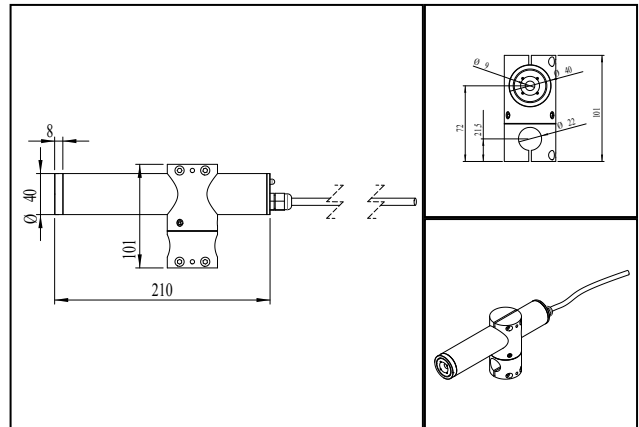
Picture



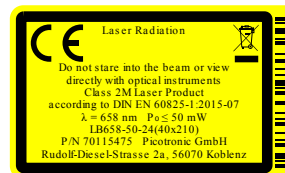
Cable color

Ground		black	GND
positive		white	21.6 - 26.4, typ 24 V DC

Drawing



Safety Label



Valid Revision

1 | 15-SEP-2021