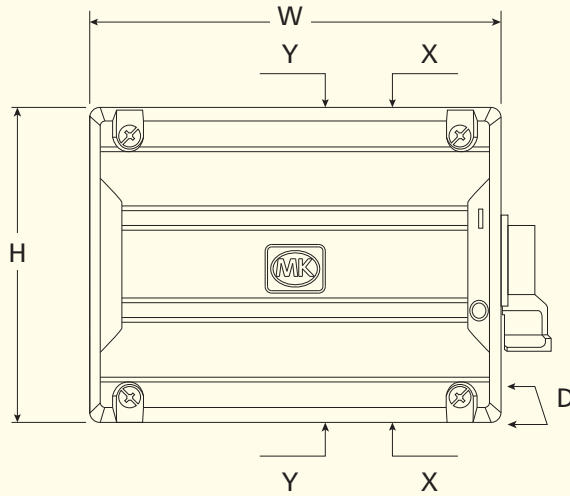
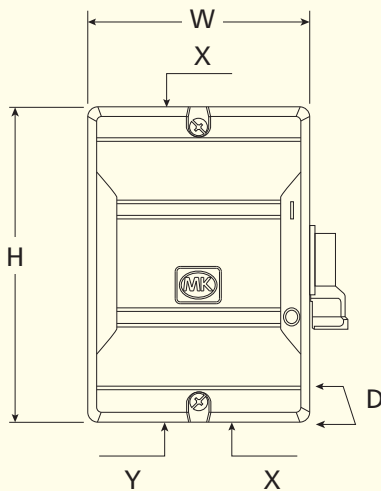


K6725



List Number	Ithe (A)	Ie (AC23A)	Rated Operational Power (KW)	Terminal Capacity (mm ²)	No of Poles	Max. number of additional auxiliary contacts	Additional Auxillary Contact (NO) List Number (Not Supplied)	Additional Auxillary Contact (NC) List Number (Not Supplied)	Degree of Ingress Protection	Enclosure Size (mm)			Cable Entry		Fixing Dimensions (mm)		
										W	H	D	X	Y	A	B	G
K6725	25	20	11	1.5-4	6 (2xL1, 2xL2 & 2xL3)	2	6818	6819	IP65	190	130	65	2 x Ø25	1 x Ø16	124	90	5
K6725YEL	25	20	11	1.5-4	7 (2xL1, 2xL2, 2xL3 & AUX)	2	6818	6819	IP65	190	130	65	2 x Ø25	1 x Ø16	124	90	5

K6816

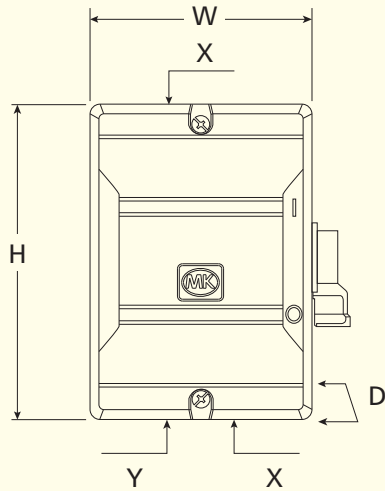


List Number	Ithe (A)	Ie (AC23A)	Rated Operational Power (KW)	Terminal Capacity (mm ²)	No of Poles	Max. number of additional auxiliary contacts	Additional Auxillary Contact (NO) List Number (Not Supplied)	Additional Auxillary Contact (NC) List Number (Not Supplied)	Degree of Ingress Protection	Enclosure Size (mm)			Cable Entry		Fixing Dimensions (mm)		
										W	H	D	X	Y	A	B	G
K6816	16	10	7.5	1.5-4	3 (L1, L2, & L3)	1	6818	6819	IP65	111	130	60	2xM25	-	64	90	5
K6816YEL	16	10	7.5	1.5-4	3 (L1, L2, L3 & AUX)	1	6818	6819	IP65	111	130	60	2xM25	-	64	90	5

technical hotline +44 (0)1268 563720

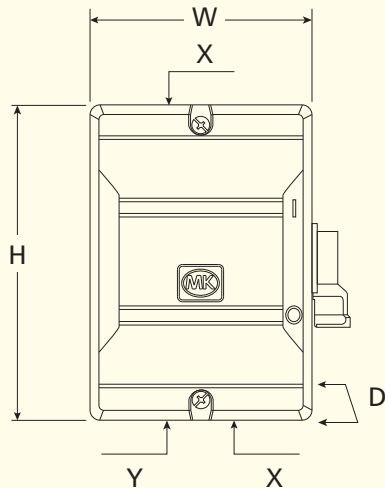
ingress protected | wiring devices

K6825



List Number	Ithe (A)	Ie (AC23A)	Rated Operational Power (KW)	Terminal Capacity (mm ²)	No of Poles	Max. number of additional auxiliary contacts	Additional Auxillary Contact (NO) List Number (Not Supplied)	Additional Auxillary Contact (NC) List Number (Not Supplied)	Degree of Ingress Protection	Enclosure Size (mm)			Cable Entry		Fixing Dimensions (mm)		
										W	H	D	X	Y	A	B	G
K6825	25	20	11	1.5-4	3 (L1, L2, & L3)	1	6818	6819	IP65	111	130	60	2xM25	-	64	90	5
K6825YEL	25	20	11	1.5-4	3 (L1, L2, L3 & AUX)	1	6818	6819	IP65	111	130	60	2xM25	-	64	90	5

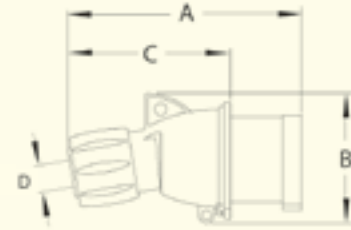
K6840



List Number	Ithe (A)	Ie (AC23A)	Rated Operational Power (KW)	Terminal Capacity (mm ²)	No of Poles	Max. number of additional auxiliary contacts	Additional Auxillary Contact (NO) List Number (Not Supplied)	Additional Auxillary Contact (NC) List Number (Not Supplied)	Degree of Ingress Protection	Enclosure Size (mm)			Cable Entry		Fixing Dimensions (mm)		
										W	H	D	X	Y	A	B	G
K6840	40	25	11	1.5-10	3 (L1, L2, & L3)	1	6818	6819	IP65	138	165	68	2xM32	2xM16	90	127	5
K6840YEL	40	25	11	1.5-10	3 (L1, L2, L3 & AUX)	1	6818	6819	IP65	138	168	68	2xM32	2xM16	90	127	5


Plugs 16 and 32 Amp

IP44 SPLASHPROOF



Amps	Pin. Configuration	100-130V 50-60Hz List No	200-250V 50-60Hz List No	380-415V 50-60Hz List No	440-460V 50-60Hz List No	480-500V 50-60Hz List No	Cable Diameter D mm		Terminal Capacity* mm ²	Dimensions in mm		
							min	max		A	B	C
1	2P+E	K9000YEL 4	K9001BLU 6	K9002RED 9			8.2	13	1 - 2.5	115	63	78
16	3P+E	K9005YEL 4	K9006BLU 9	K9007RED 6	K9008RED 11	K9009BLK 7	8.9	17	1 - 2.5	140	72	103
16	3P+N+E	K9013YEL 4	K9014BLU 9	K9015RED 6	K9016RED 11		10.1	17	1 - 2.5	140	76	103
32	2P+E	K9032YEL 4	K9033BLU 6				11.7	21.5	2.5 - 6	156	83	110
32	3P+E		K9036BLU 9	K9037RED 6	K9038RED 11	K9039BLK 7	11.7	21.5	2.5 - 6	156	83	110
32	3P+N+E	K9043YEL 4	K9044BLU 9	K9045RED 6	K9046RED 11		14.2	21.5	2.5 - 6	156	88	110

Amps	Pin. Configuration	>50V 100-300Hz List No	>50V 300-500Hz List No	IS TRAN 50-60Hz List No	>50-250V d.c. List No	Cable Diameter D mm		Terminal Capacity* mm ²	Dimensions in mm		
						min	max		A	B	C
16	2P+E			K9004GRY 12	K9003GRY 3	8.2	13	1 - 2.5	115	63	78
16	3P+E	K9010GRN 10	K9011GRN 2			8.9	17	1 - 2.5	140	72	103
16	3P+N+E		K9017GRN 2			10.1	17	1 - 2.5	140	76	103
32	3P+N+E		K9047GRN 2			14.2	21.5	2.5 - 6	156	88	110

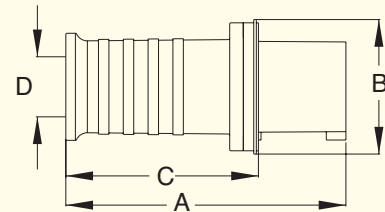
 Earth Hour Position

*Flexible conductors


Plugs 63 Amp

FITTED WITH CABLE ENTRY GLAND THREAD SIZE M48

IP44 SPLASHPROOF



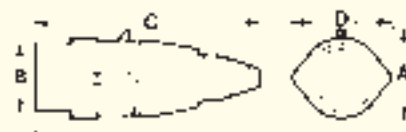
Amps	Pin. Configuration	200-250V 50-60Hz List No	380-415V 50-60Hz List No	Cable Diameter D mm		Terminal Capacity* mm ²	Dimensions in mm		
				min	max		A	B	C
63	2P+E	K9063 BLU 6		16.5	35	4 - 16	215	103	148
63	3P+E	K9065 BLU 9	K9066 RED 6	16.5	35	4 - 16	215	103	148
63	3P+N+E		K9071 RED 6	16.5	35	4 - 16	215	103	148

 Earth Hour Position


*flexible conductors

Plugs ELV

IP44 SPLASHPROOF



Amps	Pin. Configuration	25V 50-60Hz List No	50V 50-60Hz List No	25 & 50V 50-60Hz List No	Cable Diameter mm		Terminal Capacity* mm ²	Dimensions in mm			
					min	max		A	B	C	D
16	2P	K9018VLT	K9020WHI 12	K9022WHI 10	7	24	4 - 10 and 2 x 6mm ²	55	42	145	62
16	3P	K9019VLT	K9021WHI 12		7	24	4 - 10 and 2 x 6mm ²	55	42	145	62

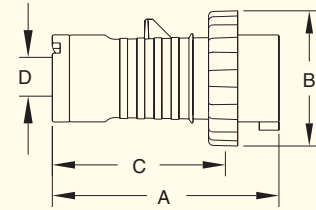
 Minor Key Hour Position

*flexible conductors

technical hotline +44 (0)1268 563720

ingress protected | wiring devices

Plugs 16 and 32 Amp

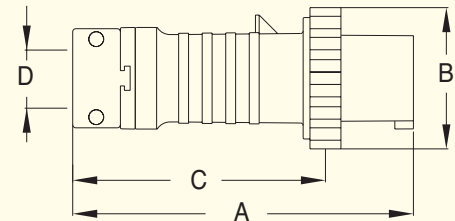
IP67 WATERTIGHT


Amps	Pin. Configuration	100-130V 50-60Hz List No	200-250V 50-60Hz List No	380-415V 50-60Hz List No	Cable Dia. D mm		Terminal Capacity* mm²	Terminal Dimensions in mm		
					min	max		A	B	C
16	2P+E	K9023YEL 4	K9024BLU 6		8.2	13	1 - 2.5	128	71	94
16	3P+E			K9025RED 6	8.9	17	1 - 2.5	144	79	111
16	3P+N+E			K9026RED 6	10.1	17	1 - 2.5	146	87	112
32	2P+E	K9053YEL 4	K9054BLU 6		11.7	21.5	2.5 - 6	147	94	105
32	3P+E			K9055RED 6	11.7	21.5	2.5 - 6	147	94	105
32	3P+N+E			K9056RED 6	14.2	21.5	2.5 - 6	161	101	119

Earth Hour Position

*flexible conductors

Plugs 63 and 125 Amp

IP67 WATERTIGHT


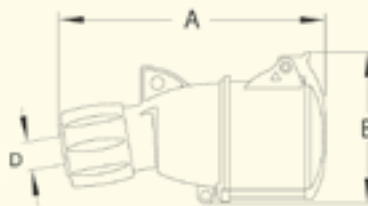
Amps	Pin. Configuration	100-130V 50-60Hz List No	200-250V 50-60Hz List No	380-415V 50-60Hz List No	440-460V 50-60Hz List No	480-500V 50-60Hz List No	Cable Dia. D mm		Terminal Capacity* mm²	Dimensions in mm		
							min	max		A	B	C
63	2P+E	K9294YEL 4	K9298BLU 6				14	41	4 - 16	275	114	213
63	3P+E			K9282RED 6	K9283RED 11	K9284BLK 7	16.5	41	4 - 16	275	114	213
63	3P+N+E			K9292RED 6	K9293RED 11		16.5	41	4 - 16	275	114	213
125	2P+E		K9099BLU 6				24	48	16 - 50	313	130	242
125	3P+E			K9092RED 6	K9093RED 11		24	48	16 - 50	313	130	242
125	3P+N+E			K9097RED 6			24	48	16 - 50	313	130	242

Earth Hour Position

*flexible conductors

Connectors 16 and 32 Amp

IP44 SPLASHPROOF



Amps	Pin. Configuration	100-130V 50-60Hz List No	200-250V 50-60Hz List No	380-415V 50-60Hz List No	440-460V 50-60Hz List No	480-500V 50-60Hz List No	Cable Dia. D mm		Terminal Capacity* mm ²	Dimensions in mm	
							min	max		A	B
16	2P+E	K9100YEL 4	K9101BLU 6	K9102RED 9			8.2	13	1 - 2.5	124	75
16	3P+E	K9105YEL 4	K9106BLU 9	K9107RED 6	K9108RED 11	K9109BLK 7	8.9	17	1 - 2.5	150	85
16	3P+N+E	K9113YEL 4	K9114BLU 9	K9115RED 6	K9116RED 11		10.1	17	1 - 2.5	152	89
32	2P+E	K9132YEL 4	K9133BLU 6				11.7	21.5	2.5 - 6	171	93
32	3P+E	K9135YEL 4	K9136BLU 9	K9137RED 6		K9139BLK 7	11.7	21.5	2.5 - 6	171	93
32	3P+N+E	K9142YEL 4	K9143BLU 9	K9144RED 6	K9145RED 11		14.2	21.5	2.5 - 6	171	99

Amps	Pin. Configuration	>50V 100-300Hz List No	>50V 300-500Hz List No	IS TRAN 50-60Hz List No	>50-250V d.c. List No	Cable Dia. D mm		Terminal Capacity* mm ²	Dimensions in mm	
						min	max		A	B
16	2P+E			K9104GRY 12	K9103GRY 3	8.2	13	1 - 2.5	124	75
16	3P+E	K9110GRN 10	K9111GRN 2			8.9	17	1 - 2.5	150	85
16	3P+N+E		K9117GRN 2			10.1	17	1 - 2.5	152	89
32	3P+N+E		K9146GRN 2			14.2	21.5	2.5 - 6	171	99

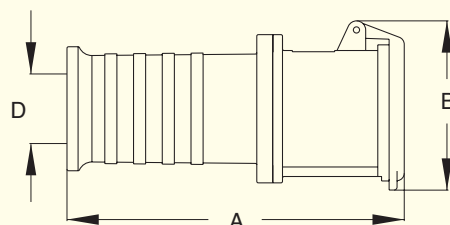
 Earth Hour Position

*flexible conductors

Connectors 63 Amp

FITTED WITH CABLE ENTRY GLAND THREAD SIZE M48

IP44 SPLASHPROOF



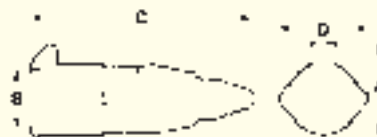
Amps	Pin. Configuration	200-250V 50-60Hz List No	380-415V 50-60Hz List No	Cable Dia. D mm		Terminal Capacity* mm ²	Dimensions in mm	
				min	max		A	B
63	2P+E	K9172BLU 6		16.5	35	4 - 16	224	112
63	3P+E	K9164BLU 9	K9165RED 6	16.5	35	4 - 16	224	112
63	3P+N+E		K9170RED 6	16.5	35	4 - 16	224	112

 Earth Hour Position


*flexible conductors

Connectors ELV

IP44 SPLASHPROOF



Amps	Pin. Configuration	25V 50-60Hz List No	50V 50-60Hz List No	25 & 50V 50-60Hz List No	Cable Diameter mm		Terminal Capacity* mm ²	Dimensions in mm			
					min	max		A	B	C	D
16	2P	K9118VLT	K9120WHI 12	K9122WHI 10	7	24	4 - 10 and 2 x 6mm ²	67	43	158	62
16	3P	K9119VLT	K9121WHI 12		7	24	4 - 10 and 2 x 6mm ²	67	43	158	62

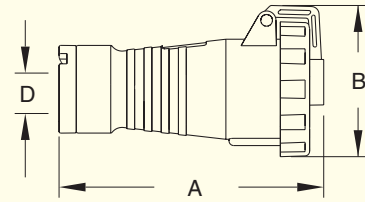
 Minor Key Hour Position

*flexible conductors


technical hotline +44 (0)1268 563720

ingress protected | wiring devices

Connectors 16 and 32 Amp

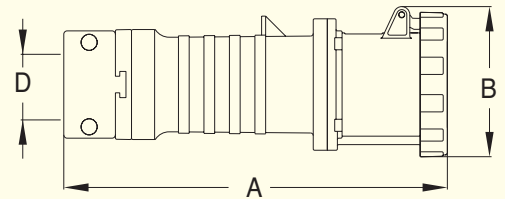
IP67 WATERTIGHT


Amps	Pin. Configuration	100-130V 50-60Hz List No	200-250V 50-60Hz List No	380-415V 50-60Hz List No	Cable Dia. D mm		Terminal Capacity* mm ²	Dimensions in mm	
					min	max		A	B
16	2P+E	K9123YEL 4	K9124BLU 6		8.2	13	1 - 2.5	151	80
16	3P+E			K9125RED 6	8.9	17	1 - 2.5	168	88
16	3P+N+E			K9126RED 6	10.1	21.5	1 - 2.5	170	97
32	2P+E	K9155YEL 4	K9156BLU 6		11.7	21.5	2.5 - 6	177	102
32	3P+E			K9157RED 6	11.7	21.5	2.5 - 6	177	102
32	3P+N+E			K9158RED 6	14.2	21.5	2.5 - 6	182	109


 Earth Hour Position

*flexible conductors

Connectors 63 and 125 Amp

IP67 WATERTIGHT


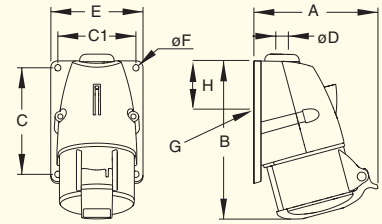
Amps	Pin. Configuration	100-130V 50-60Hz List No	200-250V 50-60Hz List No	380-415V 50-60Hz List No	440-460V 50-60Hz List No	480-500V 50-60Hz List No	Cable Dia. D mm		Terminal Capacity* mm ²	Dimensions in mm	
							min	max		A	B
63	2P+E	K9855YEL 4	K9856BLU 6				14	41	4 - 16	286	111
63	3P+E			K9842RED 6		K9844BLK 7	16.5	41	4 - 16	286	111
63	3P+N+E			K9852RED 6	K9853RED 11		16.5	41	4 - 16	286	111
125	2P+E		K9189BLU 6				24	48	16 - 50	325	122
125	3P+E			K9182RED 6	K9183RED 11		24	48	16 - 50	325	122
125	3P+N+E			K9187RED 6			24	48	16 - 50	325	122

 Earth Hour Position

*flexible conductors


Socket Outlets Angled Surface Mounting 16 and 32 Amp

TOP CONDUIT OR REAR CABLE ENTRY, COMPLETE WITH BLANKING PLUG

IP44 SPLASHPROOF

Amps	Pin. Configuration	100-130V 50-60Hz List No	200-250V 50-60Hz List No	380-415V 50-60Hz List No	440-460V 50-60Hz List No	480-500V 50-60Hz List No	Terminal Capacity* mm ²	Dimensions in mm						Top Conduit Entry D	Rear Entry G	
								A	B	C	C1	E	F			H
16	2P+E	K9200YEL 4	K9201BLU 6	K9202RED 9			1.5 - 4	91	117	75	54	66	5.5	30	M 20	Ø23
16	3P+E	K9205YEL 4	K9206BLU 9	K9207RED 6	K9208RED 11	K9209BLK 7	1.5 - 4	100	132	91	67	79	5.5	30	M 20	Ø23
16	3P+N+E	K9213YEL 4	K9214BLU 9	K9215RED 6	K9216RED 11		1.5 - 4	104	134	91	67	79	5.5	30	M 20	Ø23
32	2P+E	K9232YEL 4	K9233BLU 6				2.5 - 10	118	163	111	72	85	5.5	33	M 25	Ø29
32	3P+E	K9235YEL 4	K9236BLU 9	K9237RED 6		K9238BLK 7	2.5 - 10	116	163	111	72	85	5.5	33	M 25	Ø29
32	3P+N+E	K9239YEL 4	K9240BLU 9	K9241RED 6	K9242RED 11		2.5 - 10	121	164	111	72	85	5.5	33	M 25	Ø29

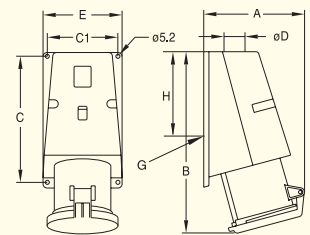
Amps	Pin. Configuration	>50V 100-300Hz List No	>50V 300-500Hz List No	IS TRAN 50-60Hz List No	>50-250V d.c. List No	Terminal Capacity* mm ²	Dimensions in mm						Top Conduit Entry D	Rear Entry G	
							A	B	C	C1	E	F			H
16	2P+E			K9204GRY 12	K9203GRY 3	1.5 - 4	91	117	75	54	66	5.5	30	M 20	Ø23
16	3P+E	K9210GRN 10	K9211GRN 2			1.5 - 4	100	132	91	67	79	5.5	30	M 20	Ø23
16	3P+N+E		K9252GRN 2			1.5 - 4	104	134	91	67	79	5.5	30	M 20	Ø23
32	3P+N+E		K9258GRN 2			2.5 - 10	121	164	111	72	85	5.5	33	M 25	Ø29

 Earth Hour Position


*Solid or Stranded conductors

Socket Outlets Angled Surface Mounting 63 Amp

TOP CONDUIT OR REAR CABLE ENTRY, COMPLETE WITH BLANKING PLUG

IP44 SPLASHPROOF

Amps	Pin. Configuration	200-250V 50-60Hz List No	380-415V 50-60Hz List No	Terminal Capacity* mm ²	Dimensions in mm						Conduit Entry D	Rear Entry G
					A	B	C	C1	E	H		
63	2P+E	K9274BLU 6		4 - 16	136	254	170	95	107	67	M32	Ø35
63	3P+E	K9264BLU 9	K9265RED 6	4 - 16	136	254	170	95	107	67	M32	Ø35
63	3P+N+E		K9269RED 6	4 - 16	136	254	170	95	107	67	M32	Ø35


 Earth Hour Position

*Solid or Stranded conductors

Socket Outlets Angled Surface Mounting Elv

IP44 SPLASHPROOF

Amps	Pin. Configuration	25V 50-60Hz List No	50V 50-60Hz List No	25 & 50V 50-60Hz List No	Terminal Capacity* mm ²	Dimensions in mm					Conduit Entry
						A	B	C	D	F	
16	2P	K9253VLT	K9255WHI 12	K9257WHI 10	4 - 10 and 2 x 6mm ²	81	113	80	70	55	M25
16	3P	K9254VLT	K9256WHI 12		4 - 10 and 2 x 6mm ²	81	113	80	70	55	M25

 Minor Key Hour Position

*Solid or Stranded conductors

technical hotline +44 (0)1268 563720

ingress protected | wiring devices

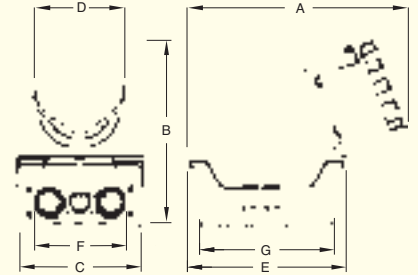
Socket Outlets Angled Surface Mounting 63 Amp

IP67 WATERTIGHT

Amps	Pin. Configuration	200-250V 50-60Hz List No	380-415V 50-60Hz List No	Terminal Capacity* mm ²	Dimensions in mm				Fixing Centres	
					A	B	C	E	F	G
63	2P+E	K9857BLU 6		6 - 25	255	185	150	158	129	124
63	3P+E		K9858RED 6	6 - 25	255	185	150	158	129	124
63	3P+N+E		K9859RED 6	6 - 25	255	185	150	158	129	124

Earth Hour Position

*Solid or Stranded conductors



Socket Outlets Straight Panel Mounting 16 and 32 Amp

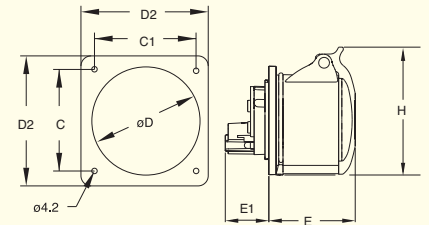
ALL FLANGES HAVE THE SAME FIXING CENTRES AND OUTSIDE DIMENSIONS TO ASSIST PANEL BUILDING. SEE BELOW FOR MINIMISED FLANGE OPTION.

IP44 SPLASHPROOF

Amps	Pin. Configuration	100-130V 50-60Hz List No	200-250V 50-60Hz List No	380-415V 50-60Hz List No	440-460V 50-60Hz List No	Terminal Capacity* mm ²	Dimensions in mm						
							C	C1	D	D2	E	E1	H
16	2P+E	K9400YEL 4	K9401BLU 6			1.5 - 4	60-61	60-61	49	75	56	29	79
16	3P+E	K9405YEL 4	K9406BLU 9	K9407RED 6		1.5 - 4	60-61	60-61	59	75	58	30	87
16	3P+N+E	K9413YEL 4	K9414BLU 9	K9415RED 6	K9416RED 11	1.5 - 4	60-61	60-61	59	75	60	31	89
32	2P+E	K9432YEL 4	K9433BLU 6			2.5 - 10	60-61	60-61	66	75	70	34	93
32	3P+E			K9437RED 6		2.5 - 10	60-61	60-61	66	75	70	34	93
32	3P+N+E		K9444BLU 9	K9445RED 6	K9446RED 11	2.5 - 10	60-61	60-61	66	75	70	34	93

Earth Hour Position

*Solid or Stranded conductors

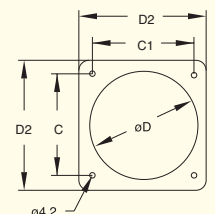


Minimised Flange For Straight Panel Mounting 16 Amp Outlets

NOTE: FIXING CENTRES COMPATIBLE WITH NON K SERIES PRODUCT

IP44 SPLASHPROOF

Amps	Pin. Configuration	List No	Dimensions in mm			
			C	C1	D	D2
16	2P+E	K9996	44-47	44-47	49	56




Minimised flange can be used to replace flange supplied with straight panel mounted outlets. To be ordered as additional part.

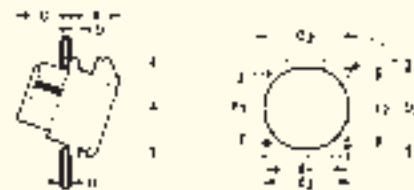
Socket Outlets Angled Panel Mounting ELV

IP44 SPLASHPROOF

Amps	Pin. Configuration	25V 50-60Hz List No	50V 50-60Hz List No	25 & 50V 50-60Hz List No	Terminal Capacity* mm ²	Dimensions in mm										
						A	B	C	D	E1	E2	F1	F2	G max	D2	D3
16	2P	K9518VLT	K9520WHI 12	K9522WHI 10	4 - 10 and 2 x 6mm ²	68	34	36	6	47	52	53	50	7	62	68
16	3P	K9519VLT	K9521WHI 12		4 - 10 and 2 x 6mm ²	68	34	36	6	47	52	53	50	7	62	68

 Minor Key Hour Position


*Solid or Stranded conductors



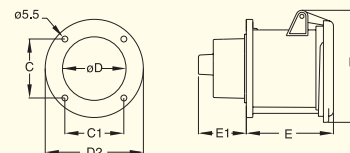
Socket Outlets Straight Panel Mounting 63 Amp

IP44 SPLASHPROOF

Amps	Pin. Configuration	200-250V 50-60Hz List No	380-415V 50-60Hz List No	Terminal Capacity* mm ²	Dimensions in mm						
					C	C1	D	D2	E	E1	H
63	2P+E	K9472BLU 6		4 - 16	61	61	70	98	89	48	112
63	3P+E		K9465RED 6	4 - 16	61	61	70	98	89	48	112
63	3P+N+E		K9470RED 6	4 - 16	61	61	70	98	89	48	112

 Earth Hour Position

*Solid or Stranded conductors



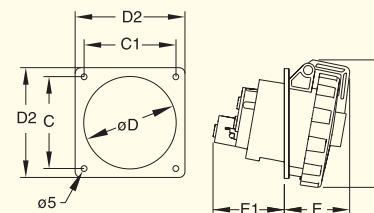
Socket Outlets Angled Panel Mounting 16 and 32 Amp

IP67 WATERTIGHT

Amps	Pin. Configuration	100-130V 50-60Hz List No	200-250V 50-60Hz List No	380-415V 50-60Hz List No	Terminal Capacity* mm ²	Dimensions in mm						
						C	C1	D	D2	E	E1	H
16	2P+E	K9802YEL 4	K9803BLU 6		1 - 2.5	79.5	79.5	83	95	45	57	95
16	3P+E			K9807RED 6	1 - 2.5	79.5	79.5	83	95	45	57	95
16	3P+N+E			K9815RED 6	1 - 2.5	79.5	79.5	83	95	47	57	99
32	2P+E	K9865YEL 4	K9866BLU 6		2.5 - 6	79.5	79.5	83	95	56	61	104
32	3P+E			K9870RED 6	2.5 - 6	79.5	79.5	83	95	56	61	104
32	3P+N+E			K9873RED 6	2.5 - 6	79.5	79.5	83	95	56	62	111

 Earth Hour Position

*Solid or Stranded conductors



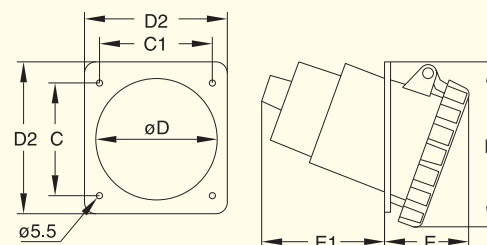
Socket Outlets Angled Panel Mounting 63 Amp

IP67 WATERTIGHT

Amps	Pin. Configuration	200-250V 50-60Hz List No	380-415V 50-60Hz List No	Terminal Capacity* mm ²	Dimensions in mm						
					C	C1	D	D2	E	E1	H
63	2P+E	K9825BLU 6		6 - 25	84	80	78	104	61	86	115
63	3P+E		K9582RED 6	6 - 25	84	80	78	104	61	86	115
63	3P+N+E		K9592RED 6	6 - 25	84	80	78	104	61	86	115

 Earth Hour Position

*Solid or Stranded conductors



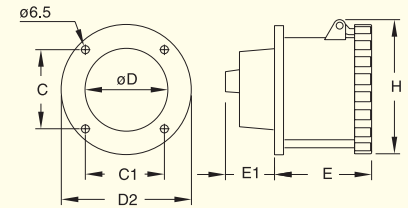
technical hotline +44 (0)1268 563720

ingress protected | wiring devices

Socket Outlets Straight Panel Mounting 63 and 125 Amp

IP67 WATERTIGHT

Amps	Pin. Configuration	200-250V 50-60Hz List No	380-415V 50-60Hz List No	Terminal Capacity* mm ²	Dimensions in mm						
					C	C1	D	D2	E	E1	H
63	2P+E	K9828BLU 6		6 - 25	61	61	70	98	89	48	111
63	3P+E		K9812RED 6	6 - 25	61	61	70	98	89	48	111
63	3P+N+E		K9822RED 6	6 - 25	61	61	70	98	89	48	111
125	2P+E	K9483BLU 6		25 - 70	71	71	88	115	100	58	122
125	3P+E		K9481RED 6	25 - 70	71	71	88	115	100	58	122
125	3P+N+E		K9482RED 6	25 - 70	71	71	88	115	100	58	122



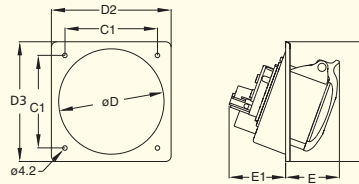
Earth Hour Position

*Solid or Stranded conductors

Socket Outlets Angled Panel Mounting 16 and 32 Amp (NEW RANGE)

IP44 Outlet Angled Panel Mounted can only be installed recessed
Note: Fixing centres differ from old range

IP44 SPLASHPROOF



Amps	Pin. Configuration	100-130V 50-60Hz List No	200-250V 50-60Hz List No	380-415V 50-60Hz List No	440-460V 50-60Hz List No	Terminal Capacity* mm ²	Dimensions in mm							
							C	C1	D	D2	D3	E	E1	H
16	2P+E	K9767YEL 4	K9771BLU 6	K9777RED 9		1.5 - 4	55	55	63	70	78	53	42	76
16	3P+E		K9772BLU 9	K9778RED 6		1.5 - 4	66	66	78	83	89	53	46	85
16	3P+N+E		K9773BLU 9	K9779RED 6	K9754RED 11	1.5 - 4	66	66	78	83	89	55	48	89
32	2P+E	K9769YEL 4	K9774BLU 6			2.5 - 10	75	75	87	93	99	61	52	98
32	3P+E			K9751RED 6	K9755RED 11	2.5 - 10	75	75	87	93	99	61	52	98
32	3P+N+E		K9776BLU 9	K9752RED 6		2.5 - 10	75	75	87	93	99	64	52	101

Amps	Pin. Configuration	>50V 100-300Hz List No	>50V 300-500Hz List No	IS TRAN 50-60Hz List No	>50-250V d.c. List No	Terminal Capacity* mm ²	Dimensions in mm							
							C	C1	D	D2	D3	E	E1	H
16	2P+E			K9756GRY 12		1.5 - 4	55	55	63	70	78	53	42	76
16	3P+E					1.5 - 4	66	66	78	83	89	53	46	85

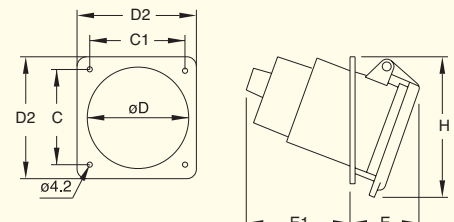
Earth Hour Position

*Solid or Stranded conductors

Socket Outlets Angled Panel Mounting 63 Amp

IP44 SPLASHPROOF

Amps	Pin. Configuration	220-250V 50-60Hz List No	380-415V 50-60Hz List No	Terminal Capacity* mm ²	Dimensions in mm						
					C	C1	D	D2	E	E1	H
63	2P+E	K9544BLU 6		6 - 25	84	80	92	104	62	95	111
63	3P+E		K9565RED 6	6 - 25	84	80	92	104	62	95	111
63	3P+N+E		K9570RED 6	6 - 25	84	80	92	104	62	95	111



Earth Hour Position

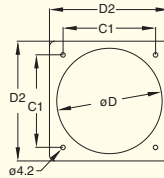
*Solid or Stranded conductors

Alternate Flange for Socket Outlets Angled Panel Mounting 16 and 32 Amp

Note: Fixing centres not compatible with new product range

IP44 SPLASHPROOF

Amps	Pin. Configuration	List No	Dimensions in mm			
			C	C1	D	D2
16	2P+E	K9981	85	85	46	110
16	3P+E, 3P+N+E	K9982	85	85	59	110
32	2P+E, 3P+E, 3P+N+E	K9983	85	85	64	110




Switchsocket Outlets Interlocked Angled Surface Mounting 16, 32 and 63 Amp Aluminium Alloy

SWITCH CAN BE LOCKED IN OPEN OR CLOSED POSITION

IP44 SPLASHPROOF

Amps	Pin. Configuration	100-130V 50-60Hz List No	200-250V 50-60Hz List No	380-415V 50-60Hz List No	440-460V 50-60Hz List No	480-500V 50-60Hz List No	>50V >300-500Hz List No	Terminal Capacity* mm ²	Dimensions in mm			Fixing Centres
									A	B	C	
16	3P+E	K9600YEL 4	K9601BLU 9	K9602RED 6	K9603RED 11		K9605GRN 2	1.5 - 10	125	198	135	91.5 x 165
16	3P+N+E	K9606YEL 4	K9607BLU 9	K9608RED 6				1.5 - 10	125	198	135	91.5 x 165
32	3P+E	K9632YEL 4	K9633BLU 9	K9634RED 6	K9635RED 11	K9636BLK 7		1.5 - 10	135	198	135	91.5 x 165
32	3P+N+E	K9638YEL 4	K9639BLU 9	K9640RED 6	K9641RED 11			1.5 - 10	135	198	135	91.5 x 165
63	3P+E		K9664BLU 9	K9665RED 6				6 - 25	183	228	165	91.5 x 201
63	3P+N+E			K9670RED 6				6 - 25	183	228	165	91.5 x 201

 Earth Hour Position

*Solid or Stranded conductors

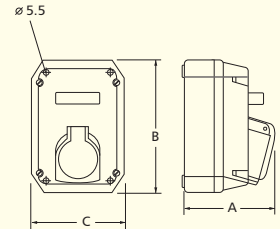
ALUMINIUM ALLOY ENCLOSURE.

16 amp and 32 amp

Will accept auxiliary contact eg. 6813 and 6814
M32/M25 conduit entry, with mounting for FL9 flange plate

63 amp

M40 conduit entry with mounting for FL 13 flange plate
Switch Utilisation Category AC 22A



Switchsocket Outlets Interlocked Angled Conduit Entry Surface Mounting 16, 32 and 63 Amp

IP44 SPLASHPROOF

Amps	Pin. Configuration	100-130V 50-60Hz List No	200-250V 50-60Hz List No	380-415V 50-60Hz List No	Terminal Capacity* mm ²	Dimensions in mm			Fixing Centres	Conduit Entry
						A	B	C		
16	2P+E	K9609YEL 4	K9610BLU 6		1.5 - 10	116	129	168	125 x 91	M25
16	3P+E			K9611RED 6	1.5 - 10	116	129	168	125 x 91	M25
16	3P+N+E			K9612RED 6	1.5 - 10	116	129	168	125 x 91	M25
32	2P+E	K9642YEL 4	K9643BLU 6		1.5 - 10	126	129	168	125 x 91	M25
32	3P+E			K9644RED 6	1.5 - 10	126	129	168	125 x 91	M25
32	3P+N+E			K9645RED 6	1.5 - 10	126	129	168	125 x 91	M25
63	2P+E		K9306BLU 6		6 - 25	168	168	206	152 x 132	2 x 32mm
63	3P+E		K9311BLU 9	K9312RED 6	6 - 25	168	168	206	152 x 132	2 x 32mm
63	3P+N +E			K9322RED 6	6 - 25	168	168	206	152 x 132	2 x 32mm

 Earth Hour Position

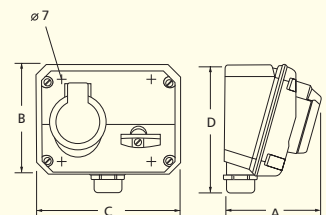
*Solid or Stranded conductors

16 amp and 32 amp

With 29mm knockout at top. Will accept FL13 flange.
Bottom entry M25.

63 amp

FL13 flange entry at top.
Supplied with cover plate and gland plate.
Switch Utilisation Category AC 22A



technical hotline +44 (0)1268 563720

ingress protected | wiring devices

Switchsocket Outlets Interlocked Angled Surface Mounting 16, 32 and 63 Amp

IP67 WATERTIGHT

16 amp and 32 amp

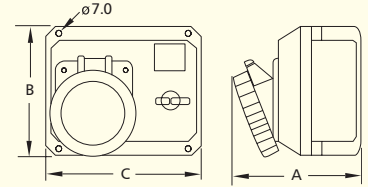
 With 25mm dia. knockout at top. Will accept FL13 flange.
Bottom entry M25.

63 amp

 With 32mm knockouts top and bottom. Will accept FL13 flange
top and bottom.

Switch can be locked in open position or closed position.

Switch Utilisation Category AC 22A



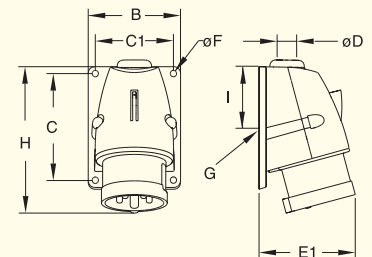
Amps	Pin. Configuration	100-130V 50-60Hz List No	200-250V 50-60Hz List No	380-415V 50-60Hz List No	440-460V 50-60Hz List No	480-500V 50-60Hz List No	Terminal Capacity* mm ²	Dimensions in mm			Fixing Centres	Conduit Entry
								A	B	C		
16	2P+E		K9324BLU 6				1.5 - 10	126	129	168	125 x 91	M25
16	3P+E			K9327RED 6			1.5 - 10	126	129	168	125 x 91	M25
16	3P+N+E			K9330RED 6			1.5 - 10	126	129	168	125 x 91	M25
32	2P+E		K9369BLU 6				1.5 - 10	136	129	168	125 x 91	M25
32	3P+E			K9359RED 6			1.5 - 10	136	129	168	125 x 91	M25
32	3P+N+E			K9362RED 6			1.5 - 10	136	129	168	125 x 91	M25
63	2P+E	K9356YEL 4	K9355BLU 6				6 - 25	182	168	206	152 x 132	2 x 32mm
63	3P+E			K9342RED 6	K9343RED 11	K9344BLK 6	6 - 25	182	168	206	152 x 132	2 x 32mm
63	3P+N+E			K9352RED 6	K9353RED 11		6 - 25	182	168	206	152 x 132	2 x 32mm

Earth Hour Position

*Solid or Stranded conductors

Splashproof Appliance Inlets Angled Surface Mounting 16 and 32 Amp

TOP CONDUIT OR REAR CABLE ENTRY, COMPLETE WITH BLANKING PLUG

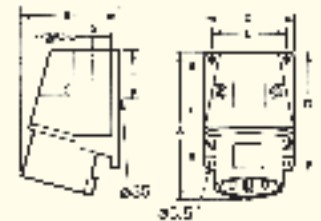
IP44 SPLASHPROOF


Amps	Pin. Configuration	100-130V 50-60Hz List No	200-250V 50-60Hz List No	380-415V 50-60Hz List No	480-500V 50-60Hz List No	Cable Diameter		Terminal Capacity* mm ²	Dimensions in mm							Top Conduit Entry D	Rear Entry G
						min	max		B	C	C1	E1	F	H	I		
16	2P+E	K9700YEL 4	K9701BLU 6			8.2	14	1.5 - 10	66	75	54	72	5.5	110	30	M20	Ø23
16	3P+E			K9706RED 6		8.9	16.5	1.5 - 10	79	91	67	78	5.5	124	30	M20	Ø23
16	3P+N+E		K9710BLU 9	K9711RED 6		10.1	16.5	1.5 - 10	79	91	67	81	5.5	125	30	M20	Ø23
32	2P+E	K9732YEL 4	K9733BLU 6			11.7	19.5	1.5 - 10	85	111	72	94	5.5	153	33	M25	Ø29
32	3P+E			K9736RED 6	K9737BLK 7	11.7	19.5	1.5 - 10	85	111	72	94	5.5	153	33	M25	Ø29
32	3P+N+E		K9740BLU 9	K9741RED 6		11.7	19.5	1.5 - 10	85	111	72	96	5.5	154	33	M25	Ø29

Earth Hour Position

*Solid or Stranded conductors

Appliance Inlets Angled Surface Mounting 63Amp

IP44 SPLASHPROOF


Amps	Pin. Configuration	200-250V 50-60Hz List No	380-415V 50-60Hz List No	Cable Diameter		Terminal Capacity* mm ²	Dimensions in mm								Conduit Entry	Rear Entry
				min	max		A	B	C	D	E	F	G	H		
63	2P+E	K9775BLU 6		14	30	6 - 25	225	117	106	M32	95	170	182	67	M32	Ø35
63	3P+N+E		K9768RED 6	16.5	30	6 - 25	225	117	106	M32	95	170	182	67	M32	Ø35


Earth Hour Position

*Solid or Stranded conductors

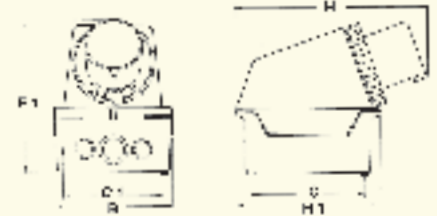
Appliance Inlets Angled Surface Mounting 63 Amp

IP67 WATERTIGHT

Amps	Pin Configuration	200-250V 50-60Hz List No	380-415V 50-60Hz List No	Terminal Capacity* mm ²	Dimensions in mm						Conduit Entry
					B	C	C1	E1	H	H1	
63	2P+E	K9826BLU 6		6 - 25	150	124	129	205	250	186	1 x M40/M32 and 2 x M20 top 2 x M40/M32 and 1 x M20 bottom Will accept FL13 Flange top and bottom
63	3P+E		K9829RED 6	6 - 25	150	124	129	205	250	186	
63	3P+N+E		K9827RED 6	6 - 25	150	124	129	205	250	186	

 Earth Hour Position


*Solid or Stranded conductors



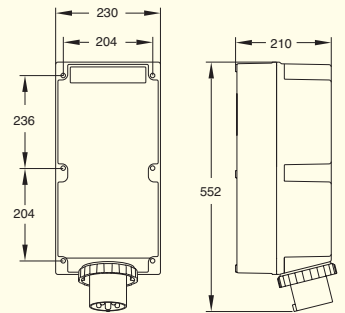
Appliance Inlets Surface Mounting 125 Amp

IP67 WATERTIGHT

Amps	Pin Configuration	200-250V 50-60Hz List No	380-415V 50-60Hz List No	Terminal Capacity* mm ²	Conduit Entry
125	3P+N+E		K9884RED 6	16 - 70	2 x 23/47mm top and bottom

 Earth Hour Position

*Solid or Stranded conductors



Appliance Inlets Panel Mounting 16, 32, 63 and 125 Amp

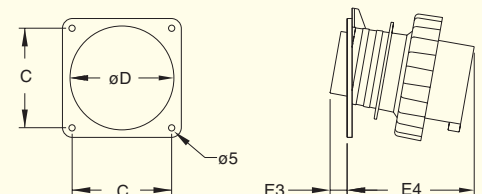
IP67 WATERTIGHT

Amps	Pin Configuration	100-130V 50-60Hz List No	200-250V 50-60Hz List No	380-415V 50-60Hz List No	Terminal Capacity* mm ²	Dimensions in mm			
						C	D	E3	E4
16	2P+E	K9780VEL 4	K9781BLU 6		1.5 - 4	79.5	83	10	47
16	3P+E			K9782RED 6	1.5 - 4	79.5	83	10	53
16	3P+N+E			K9783RED 6	1.5 - 4	79.5	83	10	59
32	2P+E	K9784VEL 4	K9785BLU 6		2.5 - 10	79.5	83	12	60
32	3P+E			K9786RED 6	2.5 - 10	79.5	83	12	60
32	3P+N+E			K9787RED 6	2.5 - 10	79.5	83	12	67
63	2P+E	K9788VEL 4	K9789BLU 6		6 - 25	61	70	50	80
63	3P+E			K9790RED 6	6 - 25	61	70	50	80
63	3P+N+E			K9791RED 6	6 - 25	61	70	50	80
125	2P+E		K9792BLU 6		16 - 70	71	81	56	89
125	3P+N+E			K9793RED 6	16 - 70	71	81	56	89

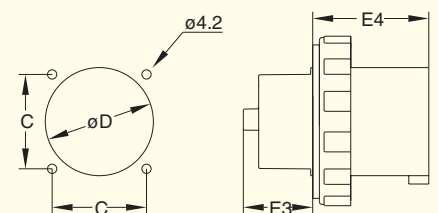
 Earth Hour Position

*Solid or Stranded conductors

16 AND 32 AMP



63 AND 125 AMP



technical hotline +44 (0)1268 563720

ingress protected | wiring devices

Appliance Inlets Surface Mounting ELV

IP44 SPLASHPROOF

Amps	Pin. Configuration	25V 50-60Hz List No	Terminal Capacity* mm ² (flexible conductors)	Dimensions in mm						Conduit Entry
				A	B	C	D	E	F	
16	2P	K9725VLT	4 - 10 and 2 x 6mm ²	100	66	70	20	55	80	M25
16	3P	K9726VLT	4 - 10 and 2 x 6mm ²	100	66	70	20	55	80	M25

*Solid or Stranded conductors

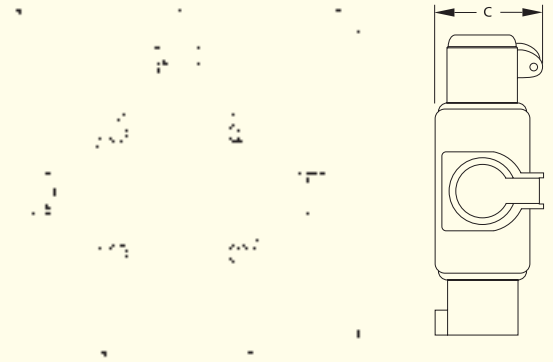


Three Way Adaptor 16 Amp

IP44 SPLASHPROOF

Amps	Pin. Configuration	100-130V 50-60Hz List No	200-250V 50-60Hz List No	380-415V 50-60Hz List No	Dimensions in mm			
					A	B	C	D
16	2P+E	K9907YEL 4	K9908BLU 6		198	189	74	99
16	3P+E			K9910RED 6	202	190	81	99
16	3P+N+E			K9911RED 6	205	192	85	99

🕒 Earth Hour Position



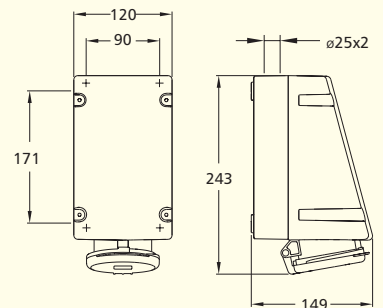
Socket Outlets Loop in Surface Mounting 16 and 32 Amp

IP44 SPLASHPROOF

Amps	Pin. Configuration	100-130V 50-60Hz List No	200-250V 50-60Hz List No	380-415V 50-60Hz List No	Cable Entry Knockouts	Terminal Capacity* mm ²	Fixing Centres mm
16	2P+E	K13200YEL 4	K13201BLU 6		2 x Ø25 top	2 x (1.5-10)	90 x 170
16	3P+E			K13207RED 6	2 x Ø25 top	2 x (1.5-10)	90 x 170
16	3P+N+E			K13215RED 6	2 x Ø25 top	2 x (1.5-10)	90 x 170
32	2P+E	K13232YEL 4	K13233BLU 6		2 x Ø25 top	2 x (2.5-10)	90 x 170
32	3P+E			K13237RED 6	2 x Ø25 top	2 x (2.5-10)	90 x 170
32	3P+N+E			K13241RED 6	2 x Ø25 top	2 x (2.5-10)	90 x 170

🕒 Earth Hour Position

*Solid or Stranded conductors




Switchsocket Outlets Interlocked Surface Mounting 16 and 32 Amp

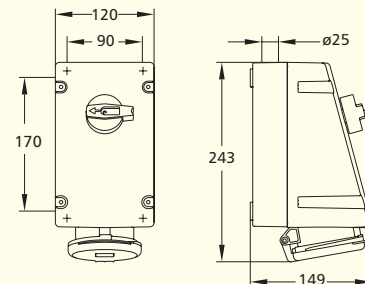
(SUITABLE FOR TOP ENTRY)

IP44 SPLASHPROOF

Amps	Pin. Configuration	100-130V 50-60Hz List No	200-250V 50-60Hz List No	380-415V 50-60Hz List No	Cable Entry Knockouts	Terminal Capacity* mm ²	Fixing Centres mm
16	2P+E	K13600YEL 4	K13601BLU 6		2 x Ø25 top	1.5 - 4	90 x 170
16	3P+E			K13607RED 6	2 x Ø25 top	1.5 - 4	90 x 170
16	3P+N+E			K13615RED 6	2 x Ø25 top	1.5 - 4	90 x 170
32	2P+E	K13632YEL 4	K13633BLU 6		2 x Ø25 top	2.5 - 10	90 x 170
32	3P+E			K13637RED 6	2 x Ø25 top	2.5 - 10	90 x 170
32	3P+N+E			K13641RED 6	2 x Ø25 top	2.5 - 10	90 x 170

 Earth Hour Position

*Solid or Stranded conductors



Switchsocket Outlets Interlocked Surface Mounting 16 and 32 Amp


Switch Utilisation Category AC 22A

Will accept auxiliary contacts **6813** and **6814**

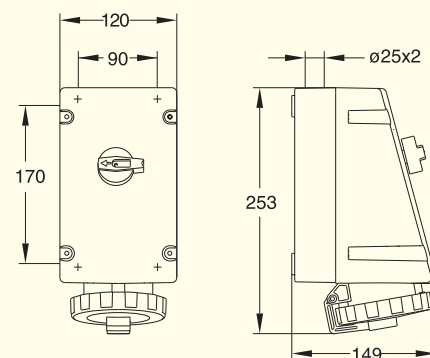
Switch can be locked in open or closed position.

IP67 WATERTIGHT

Amps	Pin. Configuration	100-130V 50-60Hz List No	200-250V 50-60Hz List No	380-415V 50-60Hz List No	Cable Entry Knockouts	Terminal Capacity* mm ²	Fixing Centres mm
16	2P+E	K13623YEL 4	K13624BLU 6		2 x Ø25 top	1.5 - 4	90 x 170
16	3P+E			K13625RED 6	2 x Ø25 top	1.5 - 4	90 x 170
16	3P+N+E			K13626RED 6	2 x Ø25 top	1.5 - 4	90 x 170
32	2P+E	K13653YEL 4	K13654BLU 6		2 x Ø25 top	2.5 - 10	90 x 170
32	3P+E			K13655RED 6	2 x Ø25 top	2.5 - 10	90 x 170
32	3P+N+E			K13656RED 6	2 x Ø25 top	2.5 - 10	90 x 170

 Earth Hour Position

*Solid or Stranded conductors



Switchsocket Outlets Interlocked Surface Mounting 125 Amp


Switch Utilisation Category AC 22A

Will accept auxiliary contacts **6813** and **6814**

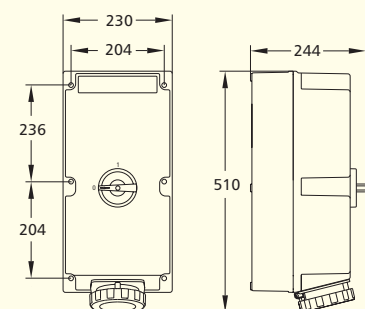
Switch can be locked in open or closed position.

IP67 WATERTIGHT

Amps	Pin. Configuration	200-250V 50-60Hz List No	380-415V 50-60Hz List No	440-460V 60Hz List No	Cable Entry Knockouts	Terminal Capacity* mm ²
125	2P+E	K9688BLU 6			2 x 23/47mm top and bottom	16 - 70
125	3P+E		K9691RED 6	K9692RED 11	2 x 23/47mm top and bottom	16 - 70
125	3P+N+E		K9694RED 6		2 x 23/47mm top and bottom	16 - 70

 Earth Hour Position

*Solid or Stranded Conductors



technical hotline +44 (0)1268 563720

ingress protected | wiring devices

Socket Outlets Surface Mounting 16 and 32 Amp

SUITABLE FOR TOP ENTRY

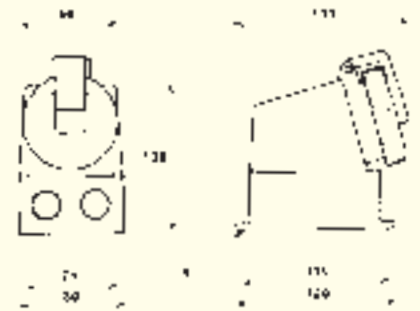
IP67 WATERTIGHT

STANDARD VERSION (see Dimensions A)

Amps	Pin. Configuration	100-130V 50-60Hz List No	220-250V 50-60Hz List No	380-415V 50-60Hz List No	Terminal Capacity* mm ²	Cable Entry Knockouts		Fixing Centres mm
						top	bottom	
16	2P+E	K9193YEL 4	K9194BLU 6		1 - 2.5	2 x Ø25	2 x Ø20	71 x 111
16	3P+E			K9763RED 6	1 - 2.5	2 x Ø25	2 x Ø20	71 x 111
16	3P+N+E			K9764RED 6	1 - 2.5	2 x Ø25	2 x Ø20	71 x 111
32	2P+E	K9761YEL 4	K9762BLU 6		2.5 - 6	2 x Ø25	2 x Ø20	71 x 111
32	3P+E			K9765RED 6	2.5 - 6	2 x Ø25	2 x Ø20	71 x 111
32	3P+N+E			K9766RED 6	2.5 - 6	2 x Ø25	2 x Ø20	71 x 111

Earth Hour Position

*Solid or Stranded conductors



Dimensions A

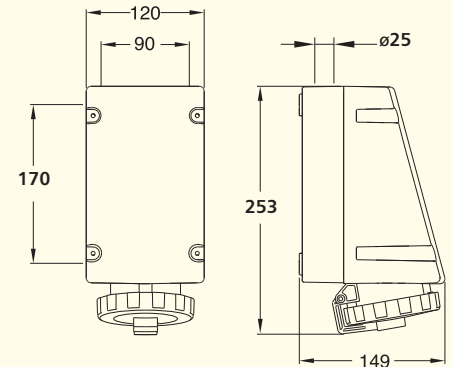
LOOP IN VERSIONS (see Dimensions B)

Fitted with terminals for Loop In

Amps	Pin. Configuration	100-130V 50-60Hz List No	220-250V 50-60Hz List No	380-415V 50-60Hz List No	Terminal Capacity* mm ²	Cable Entry Knockouts	Fixing Centres mm
16	3P+E			K13025RED 6	2 x (1.5-10)	2 x Ø25 top	90 x 170
16	3P+N+E			K13026RED 6	2 x (1.5-10)	2 x Ø25 top	90 x 170
32	2P+E	K13053YEL 4	K13054BLU 6		2 x (2.5-10)	2 x Ø25 top	90 x 170
32	3P+E			K13055RED 6	2 x (2.5-10)	2 x Ø25 top	90 x 170
32	3P+N+E			K13056RED 6	2 x (2.5-10)	2 x Ø25 top	90 x 170

Earth Hour Position

*Solid or Stranded conductors



Dimensions B

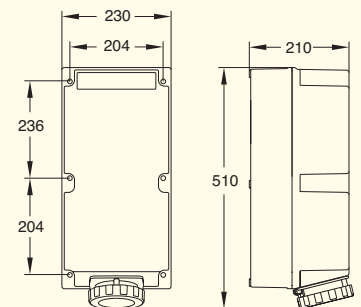
Socket Outlets Loop in Surface Mounting 125 Amp

IP67 WATERTIGHT

Amps	Pin. Configuration	200-250V 50-60Hz List No	380-415V 50-60Hz List No	440-460V 60Hz List No	Cable Entry Knockouts	Terminal Capacity* mm ²
125	3P+E		K9191RED 6	K9195RED 11	2 x 23/47mm top & bottom	2 x (16 - 70)
125	3P+N+E		K9192RED 6		2 x 23/47mm top & bottom	2 x (16 - 70)

Earth Hour Position

*Solid or Solid Stranded conductors



Combi Blocks Three Way 16 Amp

IP44 SPLASHPROOF

Amps	Pin. Configuration	100-130V 50-60Hz		200-250V 50-60Hz		Terminal Capacity* mm ²	Cable Diameter		Dimensions in mm							
		List No	⌚	List No	⌚		min	max	A	B	C	D	E	F	H	
16	2P+E	13503	4	13504	6	1 - 2.5	7	24	360	49	115	30	55	407	172	

⌚ Earth Hour Position

*Solid or Stranded conductors

Combi Blocks Two Way 16 Amp

IP57 WATERTIGHT

Amps	Pin. Configuration	100-130V 50-60Hz		200-250V 50-60Hz		Terminal Capacity* mm ²	Cable Diameter		Dimensions in mm							
		List No	⌚	List No	⌚		min	max	A	B	C	D	E	F	H	
16	2P+E	13507	4	13508	6	1 - 2.5	7	24	360	49	115	30	55	407	158	

⌚ Earth Hour Position

*Solid or Stranded conductors

Combi Blocks Two Way 30mA RCD Protected 16 Amp

IP44 SPLASHPROOF

Amps	Pin. Configuration	100-130V 50-60Hz		200-250V 50-60Hz		Terminal Capacity* mm ²	Cable Diameter		Dimensions in mm							
		List No	⌚	List No	⌚		min	max	A	B	C	D	E	F	H	
16	2P+E	13505	4	13506	6	1 - 2.5	7	24	360	49	115	30	55	407	158	

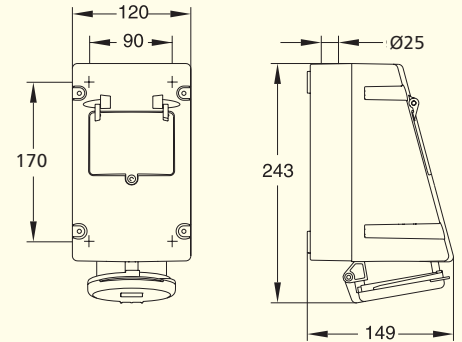
⌚ Earth Hour Position

*Solid or Stranded conductors

technical hotline +44 (0)1268 563720

ingress protected | wiring devices

Socket Outlets Single Pre-wired with 30mA RCD 16 and 32 Amp

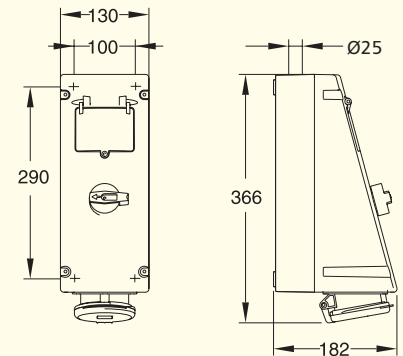
IP44 SPLASHPROOF


Amps	Pin. Configuration	100-130V 50-60Hz List No	Earth Hour Position	200-250V 50-60Hz List No	Earth Hour Position	380-415V 50-60Hz List No	Earth Hour Position	RCD Terminal Capacity*		Earth Terminal Capacity*		Cable Entry Knockouts
								min	max	min	max	
16	2P+E	K13413YEL	4	K13414BLU	6			1.5	35	2.5	25	2 x Ø25 top
16	3P+E					K13415RED	6	1.5	35	2.5	25	2 x Ø25 top
16	3P+N+E					K13416RED	6	1.5	35	2.5	25	2 x Ø25 top
32	2P+E			K13433BLU	6			2.5	35	2.5	25	2 x Ø25 top
32	3P+E					K13434RED	6	2.5	35	2.5	25	2 x Ø25 top
32	3P+N+E					K13435RED	6	2.5	35	2.5	25	2 x Ø25 top

⚡ Earth Hour Position

*Solid or Stranded conductors

Switchsocket Outlets Interlocked Pre-wired with 30mA RCD 16 and 32 Amp

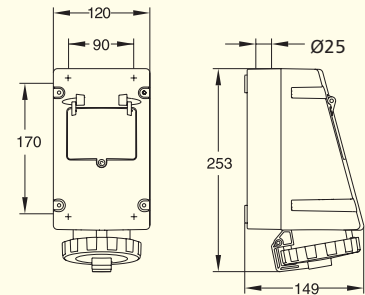
IP44 SPLASHPROOF


Amps	Pin. Configuration	100-130V 50-60Hz List No	Earth Hour Position	200-250V 50-60Hz List No	Earth Hour Position	380-415V 50-60Hz List No	Earth Hour Position	RCD Terminal Capacity*		Earth Terminal Capacity*		Cable Entry Knockouts
								min	max	min	max	
16	2P+E	K13309YEL	4	K13310BLU	6			1.5	35	2.5	25	2 x Ø25 top
16	3P+E					K13311RED	6	1.5	35	2.5	25	2 x Ø25 top
16	3P+N+E					K13312RED	6	1.5	35	2.5	25	2 x Ø25 top
32	2P+E	K13342YEL	4	K13343BLU	6			2.5	35	2.5	25	2 x Ø25 top
32	3P+E					K13344RED	6	2.5	35	2.5	25	2 x Ø25 top
32	3P+N+E					K13345RED	6	2.5	35	2.5	25	2 x Ø25 top


⚡ Earth Hour Position

*Solid or Stranded conductors

Socket Outlets Single Pre-wired with 30mA RCD 16 and 32 Amp

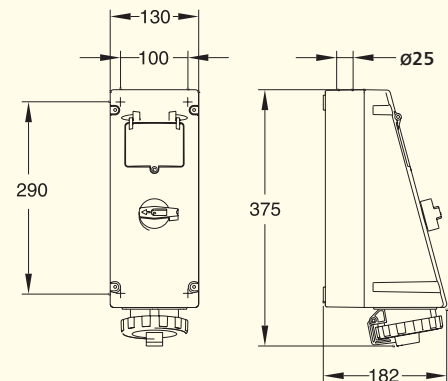
IP67 WATERTIGHT


Amps	Pin. Configuration	100-130V 50-60Hz List No	Earth Hour Position	200-250V 50-60Hz List No	Earth Hour Position	380-415V 50-60Hz List No	Earth Hour Position	RCD Terminal Capacity*		Earth Terminal Capacity		Cable Entry Knockouts
								min	max	min	max	
16	2P+E	K13713YEL 4	Ⓛ	K13714BLU 6	Ⓛ			1.5	35	2.5	25	2 x Ø25 top
16	3P+E					K13715RED 6		1.5	35	2.5	25	2 x Ø25 top
16	3P+N+E					K13716RED 6		1.5	35	2.5	25	2 x Ø25 top
32	2P+E			K13733BLU 6				2.5	35	2.5	25	2 x Ø25 top
32	3P+E					K13734RED 6		2.5	35	2.5	25	2 x Ø25 top
32	3P+N+E					K13735RED 6		2.5	35	2.5	25	2 x Ø25 top

 Earth Hour Position

*Solid or Stranded conductors

Switchsocket Outlets Interlocked Pre-wired with 30mA RCD 16 and 32 Amp

IP67 WATERTIGHT


Amps	Pin. Configuration	100-130V 50-60Hz List No	Earth Hour Position	200-250V 50-60Hz List No	Earth Hour Position	380-415V 50-60Hz List No	Earth Hour Position	RCD Terminal Capacity*		Earth Terminal Capacity		Cable Entry Knockouts	Fixing Centres
								min	max	min	max		
16	2P+E	K13346YEL 6	Ⓛ	K13348BLU 6	Ⓛ			1.5	35	2.5	25	2 x Ø25 top	100 x 290
16	3P+E					K13350RED 6		1.5	35	2.5	25	2 x Ø25 top	100 x 290
16	3P+N+E					K13351RED 6		1.5	35	2.5	25	2 x Ø25 top	100 x 290
32	2P+E	K13347YEL 6	Ⓛ	K13349BLU 6	Ⓛ			2.5	35	2.5	25	2 x Ø25 top	100 x 290
32	3P+E					K13352RED 6		2.5	35	2.5	25	2 x Ø25 top	100 x 290
32	3P+N+E					K13353RED 6		2.5	35	2.5	25	2 x Ø25 top	100 x 290

 Earth Hour Position

*Solid or Stranded conductors