

Interchangeable jaw grip, soft

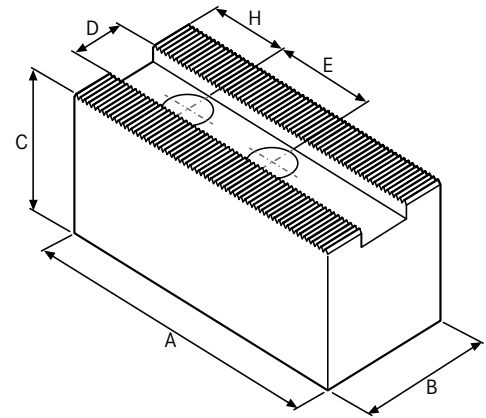
Made from steel

ATORN[®]

Delivery

3 pieces in a set

Art. No.	22430 293
Jaws length	140 mm
Jaws width	40 mm
Jaws height	40 mm
Jaw length x jaw width x jaw height	140 x 40 x 40 mm
Groove width	14 mm
Drilling clearance	25 mm
Suitable for thread	M12
Material of the jaws	Steel



EAN-Code

4050293684261