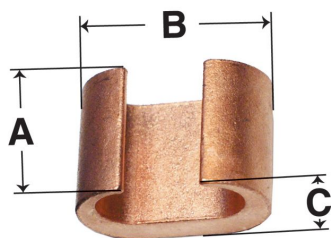


Branch connectors & connectors for solid conductors

Tap off C-sleeves (Branch connectors)

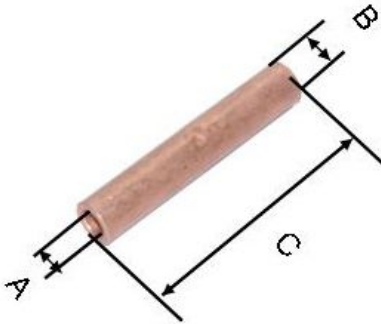
Material: 99.9% pure copper



Artikelnummer / Article No.	E-nummer	Beskrivning / Description	Area (mm ²)	A (mm)	A2 (mm)	B (mm)	B2 (mm)	C (mm)	C2 (mm)	Antal/frp / Qty/box
C 4	E 08 453 02	AVGRENING / C-HYLSA	10	12	-	13	-	8	-	100
C 5	E 08 453 04	AVGRENING / C-HYLSA	16	15	-	16	-	10	-	100
C 6	E 08 453 06	AVGRENING / C-HYLSA	25	16	-	23	-	12	-	100
C 8	E 08 453 12	AVGRENING / C-HYLSA	35	23	-	28	-	18	-	50
C 8-6	E 08 453 01	AVGRENING / C-HYLSA	35/25	23	-	28	-	18	-	50
C 8-9		AVGRENING / C-HYLSA	50/35, FÖRTENT	18	-	30	-	15	-	50
C 9	E 08 453 18	AVGRENING / C-HYLSA	50	23	-	28	-	18	-	50
C 9-6	E 08 453 14	AVGRENING / C-HYLSA	50/25	23	-	28	-	18	-	50
C 9-8	E 08 453 16	AVGRENING / C-HYLSA	50/35	23	-	28	-	18	-	50
C 11	E 08 453 26	AVGRENING / C-HYLSA	70	23	-	31	-	19	-	50
C 11-8	E 08 453 22	AVGRENING / C-HYLSA	70/35	23	-	31	-	19	-	50
C 11-9	E 08 453 24	AVGRENING / C-HYLSA	70/50	23	-	31	-	19	-	50
C 13	E 08 453 36	AVGRENING / C-HYLSA	95	25	-	35	-	22	-	50
C 13-8	E 08 453 30	AVGRENING / C-HYLSA	95/35	25	-	35	-	22	-	50
C 13-9	E 08 453 32	AVGRENING / C-HYLSA	95/50	25	-	35	-	22	-	50
C 13-11	E 08 453 34	AVGRENING / C-HYLSA	95/70	25	-	35	-	22	-	50
C 15	E 08 453 48	AVGRENING / C-HYLSA	120	30	-	41	-	26	-	25
C 15-8	E 08 453 40	AVGRENING / C-HYLSA	120/35	30	-	41	-	26	-	25
C 15-9	E 08 453 42	AVGRENING / C-HYLSA	120/50	30	-	41	-	26	-	25
C 15-11	E 08 453 44	AVGRENING / C-HYLSA	120/70	30	-	41	-	26	-	25
C 15-13	E 08 453 46	AVGRENING / C-HYLSA	120/95	30	-	41	-	26	-	25
C 16	E 08 453 58	AVGRENING / C-HYLSA	150	35	-	53	-	30	-	10
C 16-9	E 08 453 56	AVGRENING / C-HYLSA	150/50	35	-	53	-	30	-	10
C 16-13	E 08 253 56	AVGRENING / C-HYLSA	150/95	35	-	53	-	30	-	10

Connectors for solid copper conductors

Material: 99.9% pure copper



Artikelnummer / Article No.	E-nummer	Beskrivning / Description	Area (mm ²)	A (mm)	A2 (mm)	B (mm)	B2 (mm)	C (mm)	C2 (mm)	Antal/frp / Qty/box
CUT 1.5		OISOL. SKARVHYLSA, OF	ENKELLEDARE 1.5	2	-	3	-	25	-	100
CUT 6	E 08 452 40	OISOL. SKARVHYLSA, OF	ENKELLEDARE 6	3	-	5	-	27	-	100
CUT 10	E 08 452 42	OISOL. SKARVHYLSA, OF	ENKELLEDARE 10	4	-	6	-	27	-	100
CUT 16	E 08 452 44	OISOL. SKARVHYLSA, OF	ENKELLEDARE 16	5	-	8	-	35	-	100
CUT 25		OISOL. SKARVHYLSA, OF	ENKELLEDARE 25	6	-	9	-	40	-	100

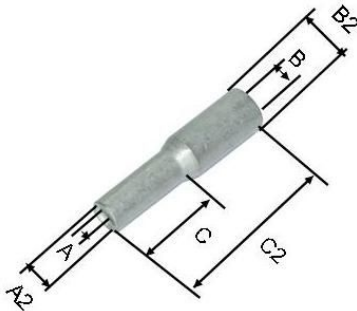
Cu connectors

Copper connectors that can be used when connecting solid wires to stranded wires.

Material: 99.9% pure copper

Surface: > 4μ Sn

Temperature range: Up to 200° C (392° F)



Artikelnummer / Article No.	E-nummer	Beskrivning / Description	Area (mm ²)	A (mm)	A2 (mm)	B (mm)	B2 (mm)	C (mm)	C2 (mm)	Antal/frp / Qty/box
-----------------------------	----------	---------------------------	-------------------------	--------	---------	--------	---------	--------	---------	---------------------

KS 10 CUT 10	E 08 452 50	SKARVÖVERGÅNG	ENKEL-FLERTRÅD 10	4	5	6	8	14	32	100
--------------	-------------	---------------	-------------------	---	---	---	---	----	----	-----

54700-series



Material: 99.9% pure copper
Suitable crimping tool is TBM-8, see link below.

Manufacturer: Thomas & Betts



Artikelnummer / Article No.	E-nummer	Beskrivning / Description	Area (mm ²)	A (mm)	A2 (mm)	B (mm)	B2 (mm)	C (mm)	C2 (mm)	Antal/frp / Qty/box
54715		SKARVHYLSA GRÅ	LEDARE AWG 8-6	10	-	13	-	10	-	100
54720		SKARVHYLSA BRUN	LEDARE AWG 6-4	27	-	16	-	12	-	100
54725		SKARVHYLSA GRÖN	LEDARE AWG 5-3	27	-	18	-	14	-	100
54730		SKARVHYLSA ROSA	LEDARE AWG 3-4	27	-	19	-	15	-	100
54735		SKARVHYLSA SVART	LEDARE AWG 3-1	40	-	20	-	16	-	100
54740		SKARVHYLSA ORANGE	LEDARE AWG 2-1/0	40	-	23	-	19	-	50
54745		SKARVHYLSA LILA	LEDARE AWG 1-2/0	40	-	24	-	20	-	25
54750		SKARVHYLSA GUL	LEDARE AWG 1/0-3/0	40	-	27	-	21	-	25