




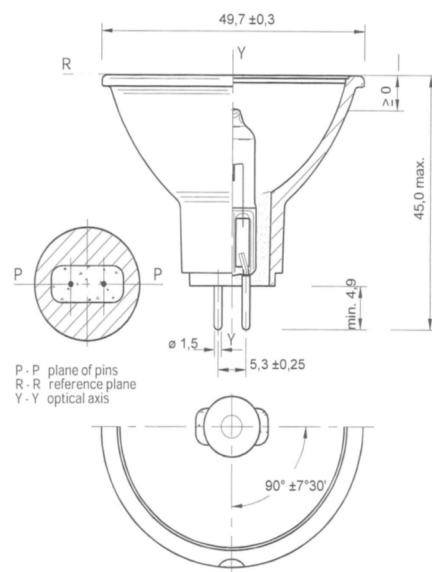
Projection

	Type 54085 13,8V 85W GX5,3
	Ordering - No. 54085
Product Description	Halogen reflector lamp
Features	Quartz Bulb, Pre-Focused (Filament), Dimmable
Application	Projection

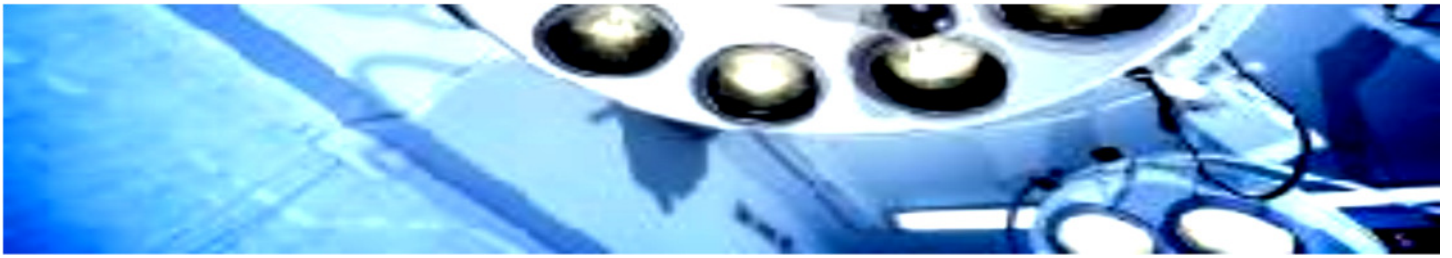
Technical Details

ANSI Code	DED
LIF Code	-
Rated Voltage (V)	13,8
Wattage (W)	85
Color Temperature (K)	3150
Average Lifetime (h)	1000
Base	GX5,3
Reflector Finish	smooth
Operating Position	S105 
Max. permissible Temperatures (degree C)	<ul style="list-style-type: none"> • Pinch 350 • Bulb 900
Environmental Remark	Product don't contain lead or mercury and is conform with Directive 2011/65/EC "Restriction of the use of certain hazardous substances in electrical and electronic equipment".

Drawing (in mm)

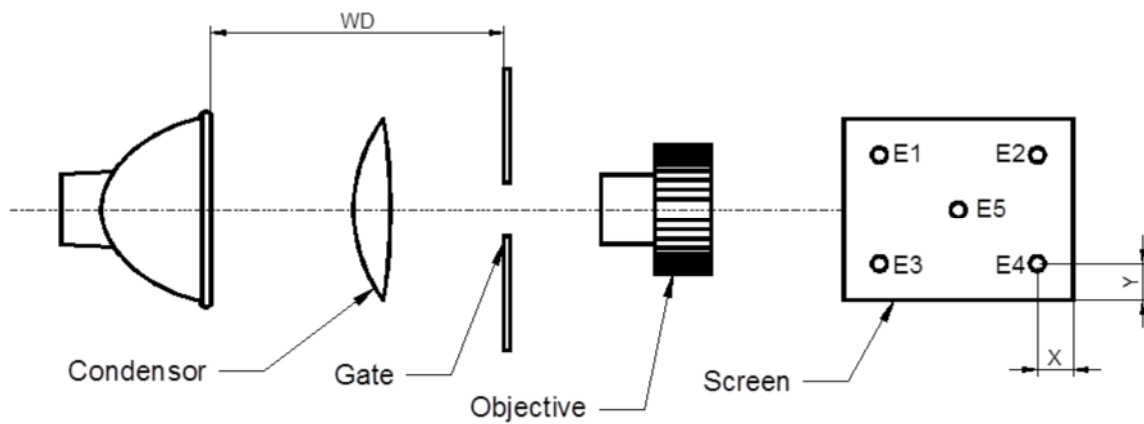


valid from	03.05.2018-V2-PN18/0089
replace for	11.09.2013-V1-PN13/0098
file	54085.100.pdf



Projection

Technical Details	
Working Distance WD (mm)	165
Condensor f (mm)	60
Gate (mm)	16 / round
Objective f (mm)	29
Screen Size (mm)	356 x 279
Cell Position X/Y (mm)	40/40
Screen Illumination on Center (Lx)	1000 av. min. 850 min.
Screen Illumination on Corner (%) $\frac{E_{Center} - E_{min}}{E_{Center}}$	75 min.



valid from	03.05.2018-V2-PN18/0089
replace for	11.09.2013-V1-PN13/0098
file	54085.100.pdf