

Projection lamps

For studio and stage projectors

Special features:

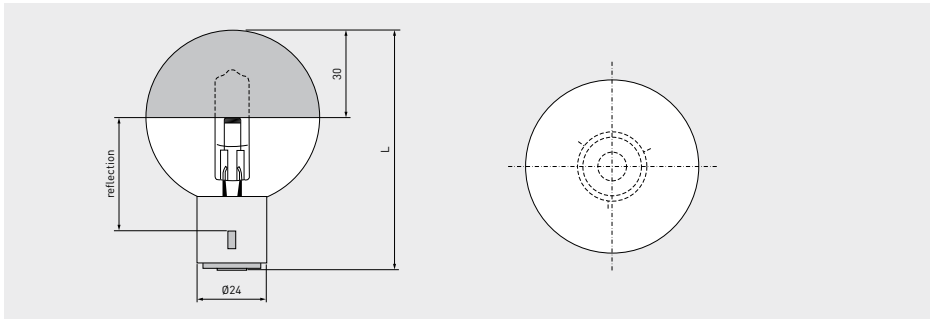
- halogen lamps as an alternative to the conventional version
- low power consumption
- classified as energy efficiency class B

Specific benefits:

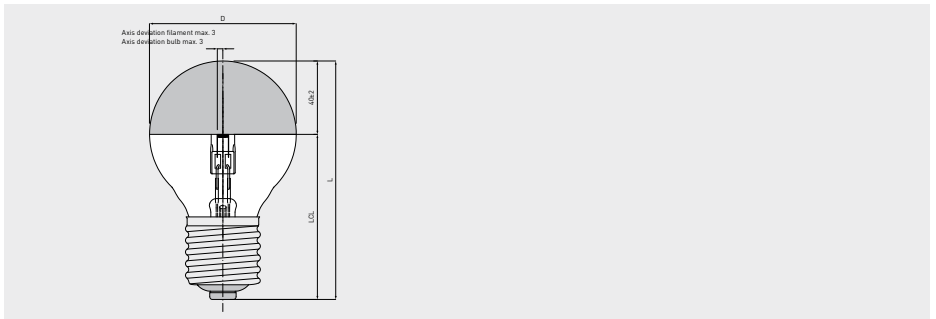
- longer life
- virtually no reduction of lumen
- energy-saving

Areas of use:

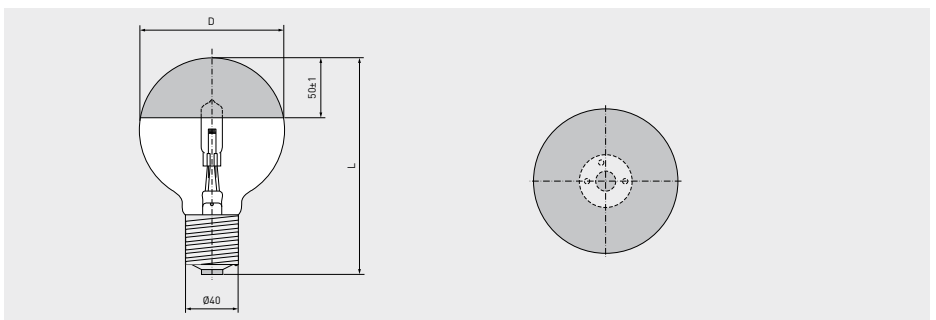
- studio
- stage



Article no.	Description	V	W	Amperage	Cap	Bulb diameter D max. mm	Total length L max. mm	Light centre length LCL mm	Luminous flux lm	Average life h	Individual life h	Burning position	PU
00937082	24V 100W B24s-3 Halogen w. enveloping bulb	24	100		B24s-3	61	85		2,900	300		S135	



Article no.	Description	V	W	Amperage	Cap	Bulb diameter D max. mm	Total length L max. mm	Light centre length LCL mm	Luminous flux lm	Average life h	Individual life h	Burning position	PU
00937083	24V 150W E40 Halogen w. enveloping bulb	24	150		E40/45	81	131	90	4,500	250		S135	



Article no.	Description	V	W	Amperage	Cap	Bulb diameter D max. mm	Total length L max. mm	Light centre length LCL mm	Luminous flux lm	Average life h	Individual life h	Burning position	PU
00937085	24V 250W E40 Halogen w. enveloping bulb	24	250		E40/45	111	167		9,000	300		S135	